



CHASSIS PARTS CATALOGUE

STARTER CHART

PART NUMBER	PART NAME	STARTER											
		A-11002-C	A-11002-D	B-11002-B	BF-11002	18-11002	46-11002	46F-11002	52-11002	8N-11002	9N-11002	7HA-11002	7RA-11002
		NUMBER REQUIRED											
A 11005-C	Armature assy		1										
B 11005	Armature assy	1		1	1			1					
18 11005	Armature assy					1	1					1	1
52 11005	Armature assy								1	1	1		
18 11036	Washer (armature thrust)-fibre					2	2		2	2	2	2	2
	+351506-S Washer (armature frt. end plate thrust) -.648"	1		1	1			1					
B 11049	Plate assy (front end)-with bushing	1		1	1			1					
18 11049	Plate assy (front end)-with bushing					1	1		1	1	1	1	1
	18-10088 Dowel (front end plate)					1	1		1	1	1	1	1
A 11050-A	Plate assy (front end)		1										
	31628-S7 Screw (front end plate)-No.10-32 x 5/8"		4										
	34803-S7 Lockwasher-No.10		4										
+B 11052	Bushing (front end plate)	1	1	1	1			1					
18 11052	Bushing (front end plate)					1	1		1	1	1	1	1
+A 11053-B	Cap (front end plate)		1					1					
B 11054	Brush assy-insulated	2	2	2	2			2					
18 11055	Brush assy-insulated-order 18-11057					2	2		2	2	2	2	2
B 11056	Brush assy-non-insulated-replaced by 18-11057	2	2	2	2			2					
18 11056	Brush assy-non-insulated-order 18-11057					2	2		2	2	2	2	2
18 11057	Brush set-consists of 2-18-11055 & 2-18-11056					1	1		1	1	1	1	1
	25231-S7 Screw (brush to holder)-No.10-32 x 1/2"	2	2	2	2	2	2	2	2	2	2	2	2
	34803-S7 Lockwasher-No.10												
B 11059	Spring (brush)	4	4	4	4	4	4	4	4	4	4	4	4
B 11061	Holder (brush)	4	4	4	4			4					
18 11061	Holder (brush)					4	4		4	4	4	4	4
	+351875-S8 Rivet (brush holder)-1/8" x 9/32" long	4	4	4	4			4					
	63527-S Rivet (brush holder)-1/8" x 3/16" long	4	4	4	4			4					
B 11062	Insulator (brush holder to end plate)	4	4	4	4	4	4	4	4	4	4	4	4
+A 11063-B	Insulator (brush holder screw)		4										
+A 11067	Bushing (brush holder screw insulating)		4										
18 11068	Bushing (brush holder rivet insulating)-replaced by 8BA-10048-B					4	4		4	4	4	4	4
18 11068	Bushing (brush holder rivet insulating)-replaced by 8BA-10048-B	Refer to 10048											
	8BA 10048-B Bushing (starter brush hldr. rivet insulating)					4	4		4	4	4	4	4
18 11069	Rivet (brush holder)					8	8		8	8	8	8	8
18 11069	Rivet (generator brush holder)	Refer to 10048											
+B 11072	Insulator (brush holder rivet)-inner	8		8	8	8	8	8	8	8	8	8	8
+B 11072	Insulator (field coil rivet)		4										
B 11073	Washer (brush holder rivet insulating)-outer-repl. by 8BA-10048-B	4		4	4	4	4		4	4	4	4	4
B 11073	Washer (field coil rivet)-replaced by 8BA-10048-B		4										
B 11073	Washer (brush holder rivet insulating)-replaced by 8BA-10048-B	Refer to 10048											
B 11079	Bolt (frame through)-1/4"-6 3/4"	2	2	2	2			2					
	34805-S8 Lockwasher-1/4"												
+A 11080	Coil assy (field)		1										
+B 11082	Coil assy (field)-No.1	1		1	1			1					
+B 11083	Coil assy (field)-No.2	1		1	1			1					
18 11083	Coil assy (field)-L.H.					1	1		1	1	1	1	1
+B 11084	Coil assy (field)-No.3	1		1	1			1					
B 11085	Coil assy (field)-No.4	1		1	1			1					
18 11085	Coil assy (field)-R.H.					1	1		1	1	1	1	1
	350505-S Screw (pole piece)-3/8"-16 x 11/16"	4		4	4			4					
	68-10044 Screw (pole piece)-7/16"-14 x 21/32"					4	4		4	4	4	4	4
+A 11090-A	Insulator (field coil to frame)		1										
18 11091	Bolt (starter frame through)-5/16"-18 x 7.18" long					2			2	2	2	2	2
	34906-S8 Lockwasher-5/16"												
	68-10120-H Bolt (frame through)-1/4"-20 x 6.93" long							2					
	34805-S8 Lockwasher-1/4"												

† No Longer Supplied

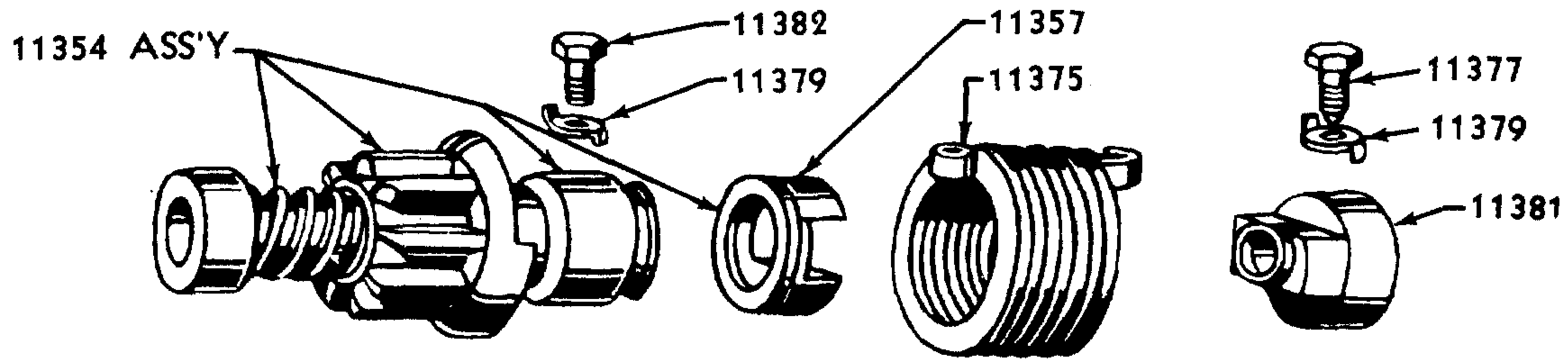


CHASSIS PARTS CATALOGUE

STARTER CHART

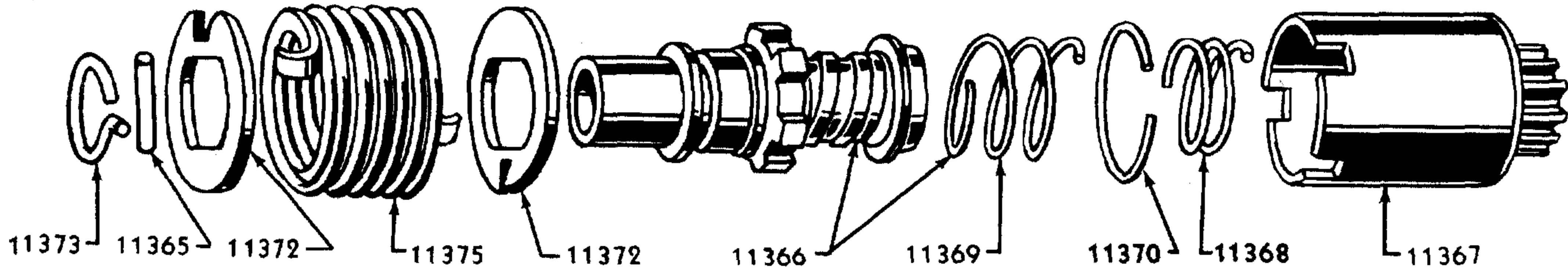
PART NUMBER	PART NAME	STARTER											
		A-11002-C	A-11002-D	B-11002-B	BF-11002	18-11002	46-11002	46F-11002	52-11002	8N-11002	9N-11002	7HA-11002	7RA-11002
7RA 11093	Washer (field terminal insulating bushing)					1	1		1	1	1	1	1
18 11094-A	Washer (field terminal insulating)-fibre-.21/64" I.D.- 5/8" O.D.-1/16" thick-replaced by 18-11094-B			3	3	3	3		3	3	3		
18 11094-B	Washer (field terminal insulating)-fibre-.33" I.D.- .79" O.D.-.11" thick			1	1	1	1		1	1	1	1	1
7RA 11095	Washer (starter field terminal screw)-11/32" I.D.-.675" O.D.	Refer to 18-11102-B											
†A 11102-C	Terminal (starter switch to starter contact)-flat head- used with A-111450-C	1	1					1					
B 11102	Terminal (starter switch to starter contact)-used with B-111450				1								
18 11102-A	Screw (starter field terminal)-5/16"-24 x 1 11/16" overall length with round shoulder			1		1	1		1	1	1		
18 11102-B	Screw (starter field terminal)-5/16"-24 x 1 11/16" overall length with oblong shoulder			1		1	1		1	1	1	1	1
	7RA-11095 Washer-flat (starter field terminal screw)-.675"			1		1	1		1	1	1	1	1
	33923-S7 Nut (starter field terminal screw)-5/16"-24			2		2	2		2	2	2	2	2
	34846-S7 Lockwasher-5/16"			1		1	1		1	1	1	1	1
B 11106	Washer (starter switch to starter contact terminal insulating)- outer-rubber-.36" I.D. x 1/16" thick	1	1	1	1			2					
	351456-S Washer (starter switch to starter contact terminal insulating)-fibre-1/2"	1	1					1					
A 11107-B	Bushing (starter switch to starter contact terminal insulating)- fibre	1	1					1					
B 11107	Bushing (starter switch to starter contact terminal insulating)- fibre				1								
18 11107-A	Bushing (starter field terminal screw)-round hole			1		1	1		1	1	1		
18 11107-B	Bushing (starter field terminal screw insulating)-oblong hole			1		1	1		1	1	1	1	1
†A 11125-A	Band assy (cover)		1										
†B 11125	Band assy (cover)	1		1	1			1					
	18-10142 Band assy (starter cover)					1	1		1	1	1	1	1
	27177-S7 Screw (cover band)-No.10-32 x 1 1/2"	1	1	1	1	1	1	1	1	1	1	1	1
	34141-S2 Nut-No.10-32	1	1	1	1	1	1	1	1	1	1	1	1
†A 11130-A	Plate assy (rear end)		1										
†A 11130-C	Plate assy (rear end)-with bushing	1											
†B 11130	Plate assy (rear end)-with bushing			1	1			1					
18 11130-A	Plate assy (rear end)-with bushing					1							
46 11130	Plate assy (rear end)-with bushing						1						
52 11130-A	Plate assy (rear end)-with bushing								1	1	1		
7RA 11130	Plate assy (rear end)-with bushing											1	1
	18-10088 Dowel (rear end plate)					1	1		1	1	1	1	1
	A-10093-A Bearing (rear end plate)		1										
	351503-S Washer (armature to rear end plate thrust)-.632"	1		1	1			1					
†A 11134	Retainer (rear end plate bearing)-inner		1										
	A-18495 Retainer (rear end plate bearing)-outer		1										
	350101-S7 Screw (rear end plate bearing retainer)- No.10-32 x 1/2"		3										
	34903-S8 Lockwasher-No.10												
B 11135	Bushing (rear end plate)	1	1	1	1	1	1	1	1	1	1	1	1
◇ 81A 11140-B	Bracket (starter to oil pan attaching)					1							
△ 82A 11140-B	Bracket (starter to oil pan attaching)								1	1	1		
● 51A 11140	Bracket (starter to oil pan attaching)-replaced by 8A-11140					1							1
7HA 11140	Bracket (starter to oil pan attaching)											1	
8A 11140	Bracket (starter to oil pan attaching)					1							1
†18 11143	Spacer (starter frame thru bolt)-.47" long-.38" high with 15" radius											2	2

◇ 90 H.P. - 8 Cylinder - 1938 + No Longer Supplied
 △ 60 H.P. - 8 Cylinder - 1937-40. Also 40 H.P. - 4 Cylinder - 1941-42.
 ● 90 & 100 H.P. - 8 Cylinder - 1939-48. Also 90 H.P. - 6 Cylinder "G" Series - 1941-47



P-137

STARTER DRIVE (B-11350)



P-138

STARTER DRIVE (52-11350-C)

Basic numbers only shown on illustration. Order by Part Numbers shown in list of parts.

STARTER DRIVE REPLACEMENT CHART

PART NUMBER	REPLACED BY	USED WITH STARTER	ENGINE		PASS.	COMM. (LT. TRUCK)	122" W.B. 3/4 TON	122" W.B. 1 TON	TRUCK
			CYL.	H.P.	YEAR 19__	YEAR 19__	YEAR 19__	YEAR 19__	YEAR 19__
A 11350-C	B 11350	A 11002-C	4		28-31	28-31			28-31
A 11350-D		A 11002-D	4		28	28			28
B 11350		A11	4		32-34	32-34			32-34
		A11	8	90	32-42	32-42	39-42	38-42	32-42
		A11	8	100	39-48	39-47	39-47	39-47	39-47
52 11350-A	52 11350-C	52 11002	8	60	37				
52 11350-B	52 11350-C	52 11002	8	60	37				
52 11350-C		52 11002	8	60	37-40	37-40	39-40	38-40	37-40
			4	40		41-42	41-42	41-42	41-42
91A 11350	B 11350	18 11002	8	90	40-42	40-42	40-42	40-42	40-42
		18 11002	8	100	40-42	40-42	40-42	40-42	40-42
		18 11002	6	90	41-42	41-42	41-42	41-42	41-42



CHASSIS PARTS CATALOGUE

STARTER DRIVE CHART

PART NUMBER	PART NAME	STARTER DRIVE						
		A-11350-C	A-11350-D	B-11350	52-11350-A	52-11350-B	52-11350-C	91A-11350
		NUMBER REQUIRED						
A 11354-A	Shaft and pinion assy (starter drive)	1						
A 11354-B	Shaft and pinion assy (starter drive)		1					
B 11354	Shaft and pinion assy (starter drive)			1				
A 11357-A	Sleeve (shaft and pinion)	1						
†A 11357-B	Sleeve (shaft and pinion)		1					
B 11357-A	Sleeve (shaft and pinion)			1				
52 11365-A	Pin (starter drive pinion)-.50" overall length-use with armature having shaft with blind pin hole				1			
52 11365-B	Pin (starter drive pinion)-1.10" overall length-use with armature having pin hole through shaft						1	
52 11366-A	Shaft assy-use with armature having shaft with blind pin hole				1			
52 11366-B	Shaft assy-use with armature having pin hole through shaft						1	
52 11367	Pinion and barrel assy				1	1		
52 11368	Spring (meshing)				1	1		
52 11369	Spring (anti-drift)				1	1		
52 11370	Snap ring (pinion and barrel)				1	1		
B 11371	Ring (shaft and pinion sleeve take up)			1				
52 11372	Plate (spring anchor)						2	
52 11373	Ring (starter drive spring lock)						1	
A 11375-C	Spring (starter drive)	1						
A 11375-D	Spring (starter drive)		1					
B 11375	Spring (starter drive)			1				
52 11375	Spring (starter drive)						1	
†A 11377-C	Screw (spring to head)-5/16"-24 x 1 3/32"	1						
A 11377-D	Screw (spring to head)-5/16"-24 x 1 1/64"		1					
B 11377	Screw (spring to head)-3/8"-24 x .863"			1				
91A 11377	Screw (head set)-.75" long-.240" diameter							1
A 11379-C	Lockwasher (starter drive spring screw)	2	1					
B 11379	Lockwasher (starter drive spring screw)			2				
91A 11379	Lockwasher (head set screw)							1
†A 11380	Ring (starter drive spring to shaft screw lock)		1					
A 11381-C	Head (starter drive)	1						
A 11381-D	Head (starter drive)		1					
B 11381-B	Head (starter drive)			1				
	74175-S Key (starter drive head)-5/8" x 5/32"	1	1	1				
A 11382-A	Screw (spring to shaft and pinion)-5/16"-24 x 27/32"	1						
A 11382-B	Screw (spring to shaft and pinion)-5/16"-24 x 17/32"		1					
B 11382	Screw (spring to shaft and pinion)-3/8"-24 x .688"			1				
†A 11383	Clip (starter drive spring)	1						
	§§†ONA-7001750 Plate (starter drive cover)-on dash							1

§§ Commercial & Truck - 40 H.P. (4 Cylinder)-1941-42

† No Longer Supplied



CHASSIS PARTS CATALOGUE

PART NUMBER	PART NAME	NO. REQ'D	MODEL	YEAR 19_____
Starter Switch				
A 11450-C	Switch assy (starter)	1	Pass,Comm,Trucks (4 cyl)	28-31
	27068-S7 Screw (starter switch attaching)-#10-32 x 3/8"	4	Pass,Comm,Trucks (4 cyl)	28-31
	34803-S7 Lockwasher (starter switch attaching)-#10	4	Pass,Comm,Trucks (4 cyl)	28-31
B 11450	Switch assy (starter)-hand control type	1	Pass,Comm,Trucks (4 cyl)	32
	31596-S7 Screw (starter switch swivel)-No.10-32 x 3/8"	1	Pass,Comm,Trucks (4 cyl)	32
	24327-S7 Bolt (starter switch terminal)-5/16"-24 x 5/8"	1	Pass,Comm,Trucks (4 cyl)	32
	20326-S7 Bolt (starter switch to steering gear housing)-5/16"-18 x 5/8"	2	Pass,Comm,Trucks (4 & 8 cyl)	32
	33923-S7 Nut-5/16"-24			
	44722-S8 Washer-flat-5/16"			
	34846-S2 Lockwasher-5/16"			
40 11450	Switch assy (starter)-foot control type	1 1	Pass,Comm,Trucks (4 & 8 cyl) Trucks	32-34 35-36
48 11450	Switch assy (starter)-replaced by 68-11465	1	Pass,Comm	35-36
	33923-S7 Nut-5/16"-24			
	33796-S7 Nut-1/4"-28			
	44722-S8 Washer-flat-5/16"			
	34846-S2 Lockwasher-5/16"			
	34805-S8 Lockwasher-1/4"			
21A 11450	Switch assy (starter relay)-solenoid	1 1	Pass Comm,Trucks	37-48 37-47
	31478-S7 Screw (starter relay switch to dash)-No.14-10 x 5/8"	2		
	33798-S8 Nut (starter relay switch battery terminal)-5/16"-24	2		
	34846-S2 Lockwasher-5/16"			
	34079-S7 Nut (starter solenoid switch terminal)-No.10-32	1 1	Pass (6 cyl"H" Series) Trucks (6 cyl"H" Series)	47-48 47
	34803-S7 Lockwasher-No.10			
	24325-S8 Bolt (starter relay switch to frame)-1/4"-28 x 5/8"	2	COE	38-47
	33796-S7 Nut-1/4"-28			
	34805-S8 Lockwasher-1/4"			
59B 11450	Switch assy (starter relay)-solenoid-used with 12 volt system	1	Trucks (except 122" and COE)	46-47
A 11458-C	Contacto (starter switch)-use with A-11450-C	1	Pass,Comm,Trucks	28-31
68 11465	Conversion kit (starter motor solenoid)-consists of following 1- Push button switch-mounted on instrument panel 1- Wire-solenoid to push button connecting 1- Starter solenoid	1	Pass,Comm,Trucks	28-36
BB 11470	Rod (starter switch push)	1	Trucks	33-37
18 11470-B	Rod (starter switch push)	1 1	Pass,Comm,Trucks Pass,Comm	28-32 33-34
†BF 11471	Pad (accelerator pedal)		Refer to 9725 Group	
81W 11471	Pad (accelerator pedal)		Refer to 9725 Group	
†B 11475	Control assy (starter hand control switch)	1	Pass,Comm,Trucks (4 cyl)	32
	33800-S8 Nut (starter switch control attaching)-3/8"-24			
	34847-S8 Lockwasher-3/8"			
†A 11480-A	Grommet (starter switch push rod to dash)-oval	1	Pass,Comm,Trucks	28-31
†A 11480-C	Grommet (starter switch push rod to dash)-round	1	Pass,Comm,Trucks	30-31
A 11481-A	Cover (starter switch push rod grommet)-round	1	Pass,Comm,Trucks	30-31

† No Longer Supplied



CHASSIS PARTS CATALOGUE

PART NUMBER	PART NAME	NO. REQ'D	MODEL	YEAR
A 11481-B	Cover (starter switch push rod grommet)-oval	1	Pass, Comm, Trucks	28-31
	26482-S7 Screw (starter switch push rod grommet cover to dash)- No.12-24 x 1/2"	2	Pass, Comm, Trucks	28-31
	34804-S8 Lockwasher-No.12			
19A 11500	Switch assy (starter push button)-on instrument panel-replaced by 6A-11500	1	Pass	37-48
		1	Comm, Trucks	37-40
21C 11500	Switch assy (starter push button)-on instrument panel-replaced by 6A-11500	1	Comm, Trucks	41-47
6A 11500	Switch assy (starter push button)-on instrument panel	1	Pass	37-48
		1	Comm, Trucks	37-47
†A 11556-A	Plate (ignition switch face)	1	Pass, Comm, Trucks	28-31
†A 11557-A	Ring (ignition switch face plate)	1	Pass, Comm, Trucks	28-31
6A 11572-A	Switch assy(ignition)-has flat type retaining spring -replaced by 6A-11572-B	1	Pass	47
6A 11572-B	Switch assy(ignition)-has coil type retaining spring	1	Pass	47-48
	34079-S7 Nut (ignition switch terminal)- No.10-32	3	Pass (6 cyl"H" Series)	47-48
	34803-S7 Lockwasher-No.10			
A 11575-F	Switch assy (ignition)	1	Pass, Comm, Trucks	28-31
	26456-S13 Screw (ignition switch to instrument panel)-No.6-32 x 1/4"	2	Pass, Comm, Trucks	28-31
	34801-S7 Lockwasher-No.6			
0A 11580	Bezel assy (ignition switch)-use with 6A-11572-A	1	Pass	47
6A 11581-A	Spring (ignition switch retaining)-flat type-use with 6A-11572-A	1	Pass	47
6A 11581-B	Spring (ignition switch retaining)-coil type-use with 6A-11572-B	1	Pass	47-48
A 11582-A	Cylinder assy (ignition switch lock)-with keys	1	Pass, Comm, Trucks	28-30
A 11582-C	Cylinder assy (ignition switch lock)-with keys	1	Pass, Comm, Trucks	31
8A 11582-A	Cylinder assy (ignition switch lock)-with keys	1	Pass	47-48
†A 11586-A	Key (ignition switch lock)-specify serial number	2	Pass, Comm, Trucks	28-30
†A 11586-C	Key (ignition switch lock)-blank	1	Pass, Comm, Trucks	31
A 11587-A	Spring (ignition switch lock cylinder)-use with A-11582-A	1	Pass, Comm, Trucks	28-30
†A 11587-B	Spring (ignition switch lock cylinder)-use with A-11582-C	1	Pass, Comm, Trucks	31

Lighting Switch

A 11646	Wiring assy (head, tail & cowl lamps)-with contact plate	1	Pass	28-31
EB 11646-B	Wiring assy (head, tail & cowl lamps)-with contact plate	1	Trucks	33-34
18 11646	Wiring assy (head, tail & cowl lamps)-with contact plate-use with foot control starter switch	1	Pass, Comm	32
40 11646	Wiring assy (head, tail & cowl lamps)-with contact plate	1	Pass, Comm	33-34
A 11647	Wiring assy (head & tail lamps)-with contact plate	1	Pass, Comm	28-31
		1	Trucks	30-31
AA 11647	Wiring assy (head & tail lamps)-with contact plate	1	Trucks	28-29
BB 11647-A	Wiring assy (head & tail lamps)-with contact plate	1	Trucks (8 cyl)	32
BB 11647-B	Wiring assy (head & tail lamps)-with contact plate	1	Trucks	33-34

† No Longer Supplied



CHASSIS PARTS CATALOGUE

PART NUMBER	PART NAME	NO. REQ'D	MODEL	YEAR 19____
18 11647	Wiring assy (head & tail lamps)-with contact plate-use with foot control starter switch	1	Pass,Comm	32
40 11647	Wiring assy (head & tail lamps)-with contact plate	1	Pass,Comm	33-34
48 11647	Wiring assy (head & tail lamps)-with contact plate	1	Pass,Comm	35-36
51 11647-A	Wiring assy (head & tail lamps)-with contact plate	1	Trucks	35-36
81A 11647	Wiring assy (head & tail lamps)-with contact plate	1	Pass	38
81C 11647	Wiring assy (head & tail lamps)-with contact plate	1	Comm	38
81T 11647	Wiring assy (head & tail lamps)-with contact plate	1	Trucks (except COE)	38
01A 11652	Switch assy (light control)-with connecting wire-on instrument panel	1	Pass,Comm,Trucks	40
		1	Sedan Delivery	41
11A 11652	Switch assy (light control)-with connecting wire-on instrument panel	1	Pass (except 6 cyl"H" Series)	41-48
		1	Comm,Trucks (except 6 cyl"H" Series)	41-47
	7RA-11654 Switch assy (light control)-on instrument panel	1	Pass (6 cyl"H" Series)	47-48
		1	Trucks (6 cyl"H" Series)	47
	26457-S7 Screw (instrument panel wiring to light switch)-No.8-32 x 1/4"	6		
	34802-S2 Lockwasher-No.8			
51 11653-B	Wiring assy (light switch to headlamps & horn)-with light switch body & contact plate	1	Trucks	35-36
77 11653-A	Wiring assy (light switch to headlamps & horn)-with light switch body & contact plate-use with units having single horn	1	Std. Comm.	37
77 11653-B	Wiring assy (light switch to headlamps & horn)-with light switch body & contact plate-use with units having dual horns	1	Deluxe Comm.	37
78 11653	Wiring assy (light switch to headlamps & horn)-with light switch body & contact plate	1	Pass	37
79 11653-A	Wiring assy (light switch to headlamp & horn)-with light switch body & contact plate-use with units having single horn	1	Std. Trucks	37
79 11653-B	Wiring assy (light switch to headlamps & horn)-with light switch body & contact plate-use with units having dual horns	1	Deluxe Trucks	37
81W 11653	Wiring assy (dimmer switch to headlamps & horn relay)-with dimmer switch & light switch body & contact plate	1	COE	38-39
91A 11653-A	Wiring assy (dimmer switch to headlamps & horn relay)-with dimmer switch, horn relay & light switch body & contact plate-use with single horn	1	Std. Pass	39
91A 11653-B	Wiring assy (dimmer switch to headlamps & horn relay)-with dimmer switch, horn relay & light switch body & contact plate-use with dual horns	1	Deluxe Pass	39
91C 11653	Wiring assy (dimmer switch to headlamps & horn relay)-with dimmer switch & light switch body & contact plate	1	Comm	39
91T 11653	Wiring assy (dimmer switch to headlamps & horn relay)-with dimmer switch & light switch body & contact plate	1	Truck (except COE)	39
01A 11653-A	Wiring assy (dimmer switch to headlamps & horn relay)-with dimmer switch & horn relay	1	Pass	40
		1	Sedan Delivery	41
01C 11653	Wiring assy (dimmer switch to headlamps & horn relay)-with dimmer switch-replaced by 5GC-11653	1	Comm,Trucks (except COE)	40-46
11A 11653	Wiring assy (dimmer switch to headlamps, parking lamps & horn relay)-with dimmer switch-replaced by 51A-11653-A	1	Pass (6 & 8 cyl)	41

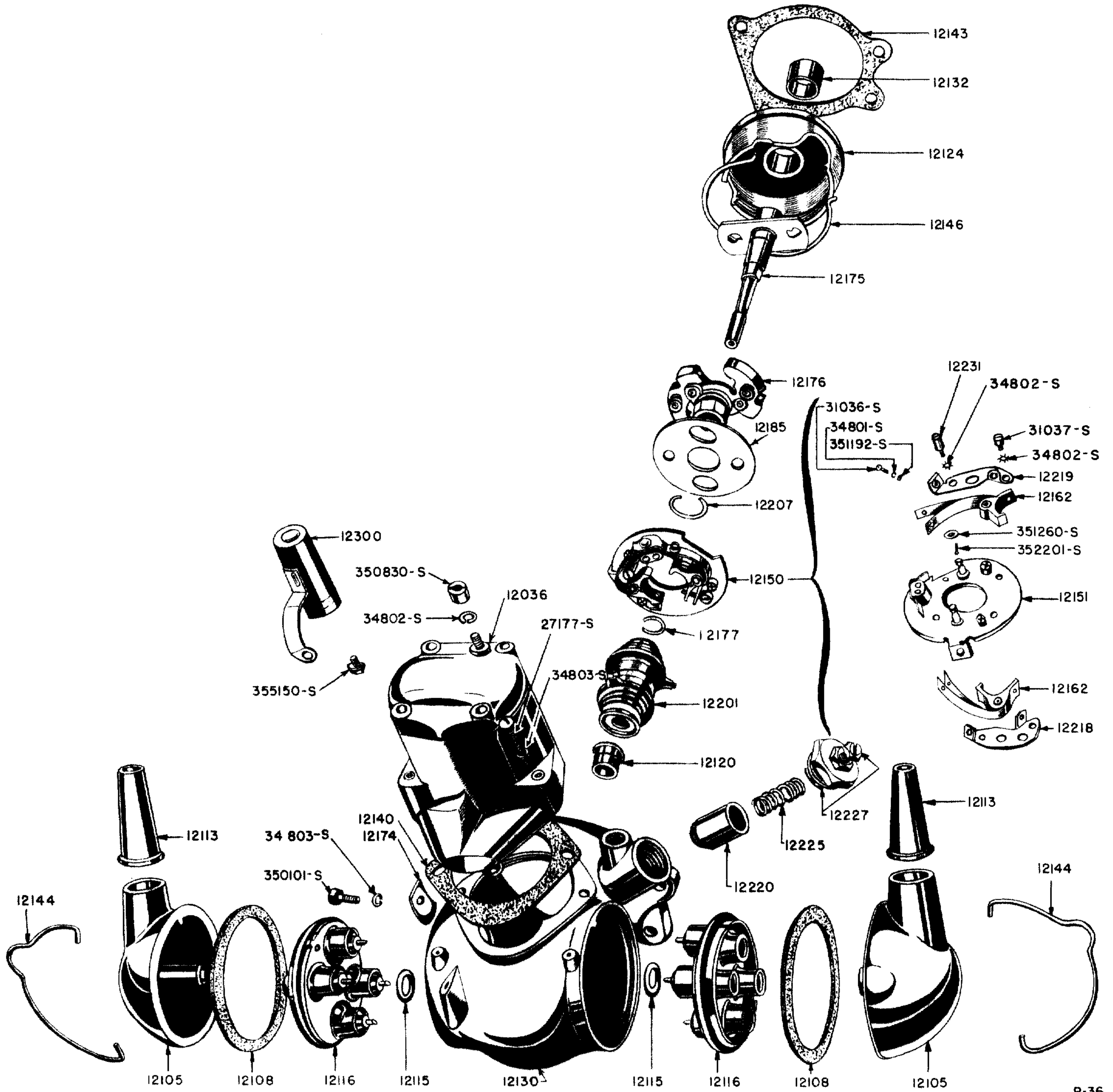


CHASSIS PARTS CATALOGUE

PART NUMBER	PART NAME	NO. REQ'D	MODEL	YEAR
				19__
21A 11653	Wiring assy (dimmer switch to headlamps, parking lamps & horn relay)-with dimmer switch-replaced by 51A-11653-A	1	Pass (8 cyl)	42-46
		1	Pass (6 cyl)	42
51A 11653-A	Wiring assy (dimmer switch to headlamps, horn relay & parking lamps)-with dimmer switch-23 leads	1	Pass (8 cyl)	42-47
		1	Pass (6 cyl)	42
51A 11653-B	Wiring assy (right headlamp to left headlamp)-12 leads	1	Pass (6 & 8 cyl)	47-48
51C 11653	Wiring assy (right headlamp to left headlamp)-6 leads	1	Comm, Trucks (6 & 8 cyl)-except COE	47
51W 11653	Wiring assy (dimmer switch to headlamps & horn relay)-with dimmer switch-25 leads	1	COE	46-47
5GA 11653-B	Wiring assy (dimmer switch to headlamps, parking lamps & horn relay)-with dimmer switch	1	Pass (6 cyl)	46-47
5GC 11653	Wiring assy (dimmer switch to headlamps, parking lamps & horn relay)-with dimmer switch-25 leads	1	Comm, Trucks (6 cyl)	47
		1	Comm, Trucks (except COE)	40-46
	01T-14585 Clip (headlamp wiring to frame)	3	Comm, Trucks	40-47
		1	COE	46-47
	353262-S Clip (headlamp wiring to frame)	1	Pass	46-48
	81A-13532 Switch assy (headlamp dimmer)-with flat mounting brackets & clinch type terminals	1	Pass, Comm, Trucks	38-40
		1	Comm, Trucks	41
	11A-13532 Switch assy (headlamp dimmer)-with offset mounting bracket & clinch type terminals	1	Pass	41-47
		1	Comm, Trucks	42-46
		1	COE	42-47
	8A-13532 Switch assy (headlamp dimmer)-use with 51A or 51C-14401 Wire Loom-with flat mounting bracket & screw type terminals	1	Pass	47-48
		1	Comm, Trucks (except COE)	47
	30103-S2 Screw (headlamp dimmer switch to floor)-1/4"-20 x 1 3/8"	2		38-44
	351276-S2 Washer (headlamp dimmer switch to floor)-1/4" countersunk	2		38-44
	36945-S2 Screw (headlamp dimmer switch to floor)-1/4"-20 x 1 3/8"	2		41-48
	34805-S8 Lockwasher-1/4"			41
7RA 11654	Switch assy (light control)-on instrument panel	1	Pass (6 cyl "H" Series)	47-48
		1	Trucks (6 cyl "H" Series) Refer to 11A-11652	47
B 11655-B	Cover (light switch body & contact plate)-use with B-3647-B	1	Pass, Comm, Trucks	28-39
B 11657	Body & contact plate assy (light switch)-at bottom of steering column	1	Pass, Comm, Trucks	28-37
81A 11657	Body & contact plate assy (light switch)-at bottom of steering column	1	Pass, Comm, Trucks	38-39
01A 11661-B	Knob & shaft (light control switch operating)	1	Pass, Comm, Trucks	40
51A 11661-A	Knob & shaft (light control switch operating)-Tan-replaced by 51A-11661-B	1	Pass	41-47
51A 11661-B	Knob & shaft (light control switch operating)-Blue Gray	1	Pass	41-47
51A 11661-C	Knob & shaft (light control switch operating)-Light Gray-replaced by 51A-11661-B	1	Pass	41-47
51C 11661	Knob & shaft (light control switch operating)	1	Comm, Trucks	41-47
6A 11661	Knob & shaft (light control switch operating)	1	Pass	47-48
11A 11662	Nut (light control switch to instrument panel)	1	Pass	41-48
		1	Comm, Trucks	41-47
A 11664-A	Plate assy (light switch contact)-upper-4 contacts	1	Pass, Comm, Trucks	28-29
11A 11672	Washer (light control switch to instrument panel)	1	Pass	41-48
		1	Comm, Trucks	41-47
+A 11673-B	Plate assy (light switch contact)-lower	1	Pass, Comm, Trucks	28-29

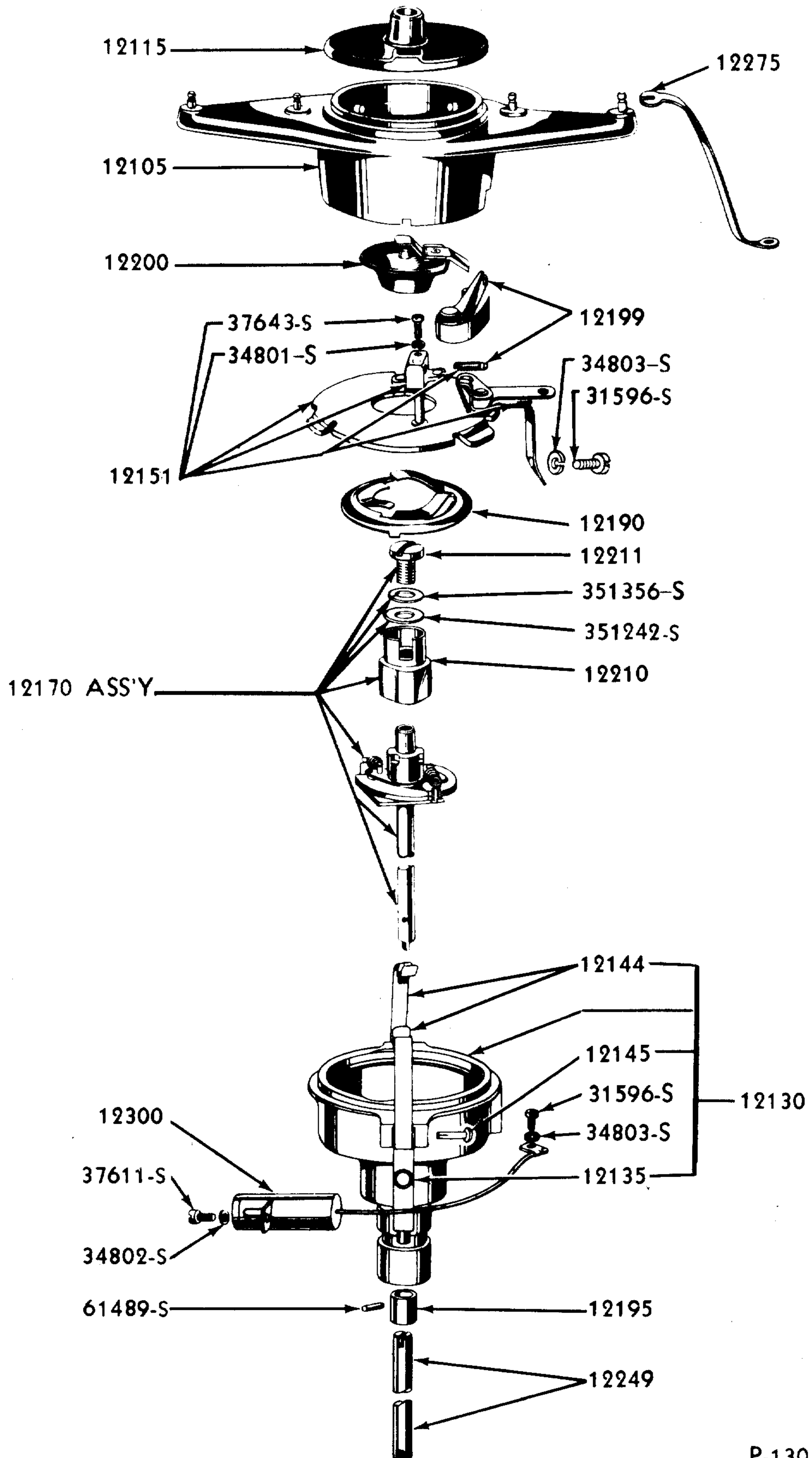
+ No Longer Supplied

CHASSIS PARTS CATALOGUE



1932-41 8 CYL. DISTRIBUTOR (11A-12127)

Basic numbers only shown on illustration. Order by Part Numbers shown in list of parts.

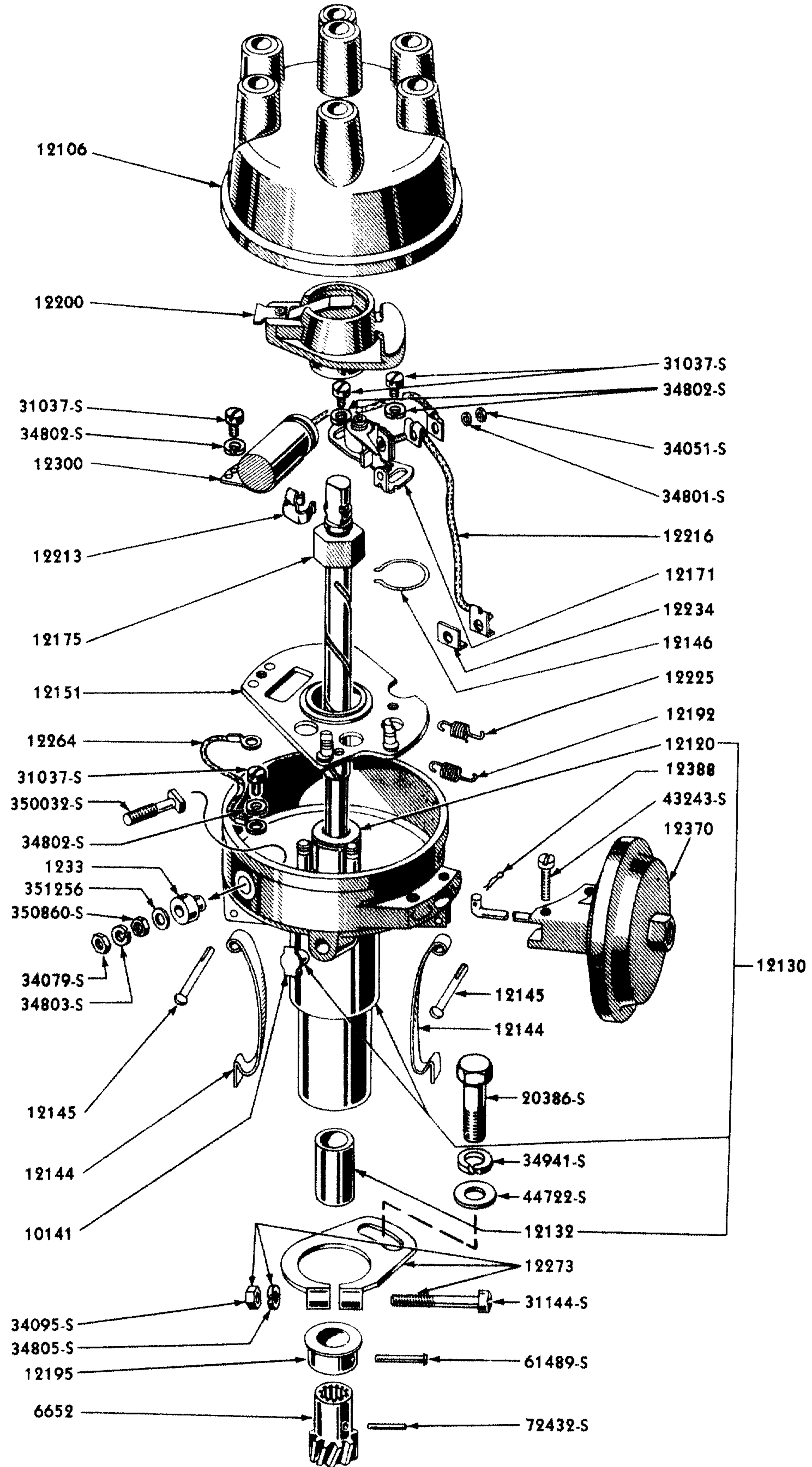


P-130

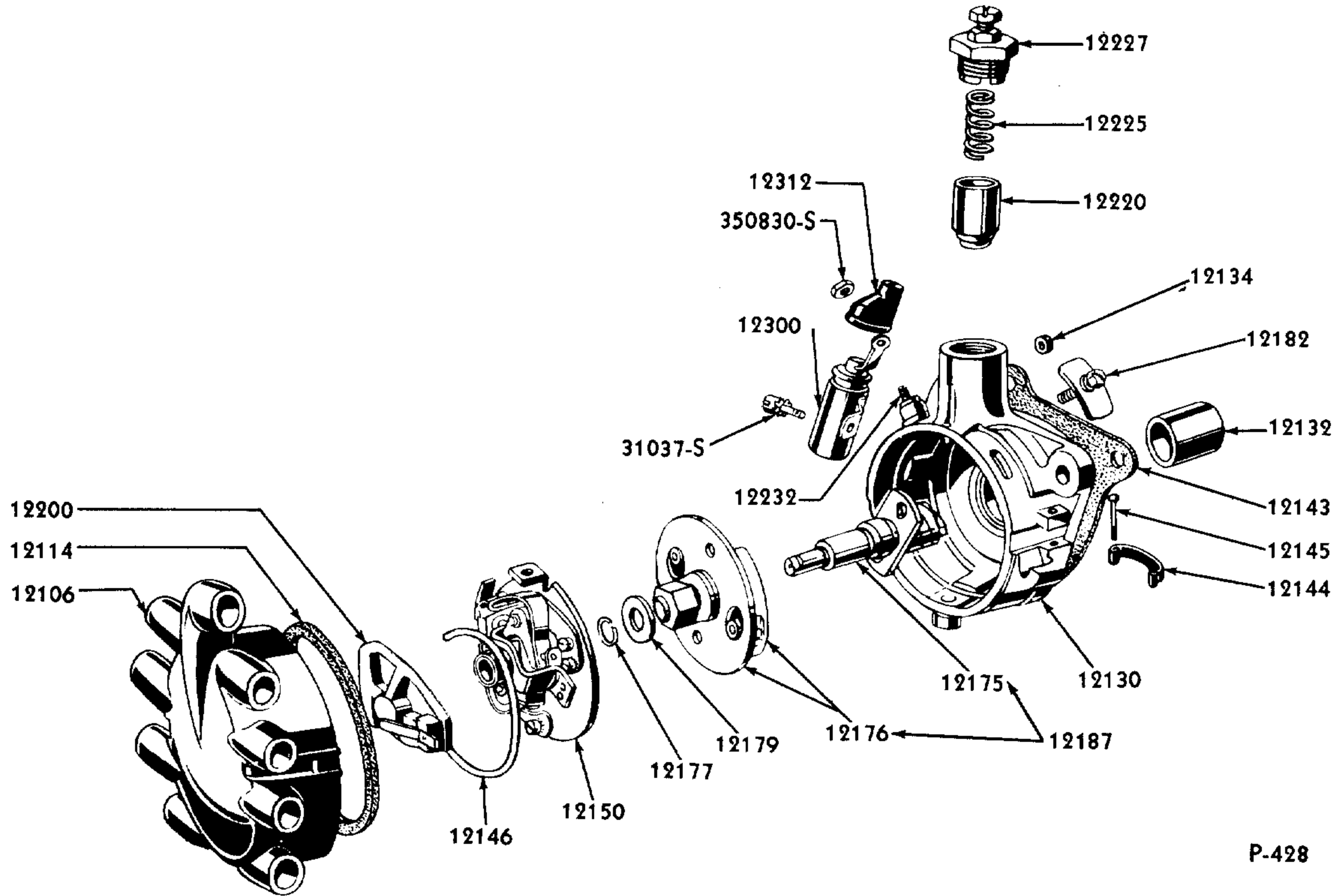
1928-34 4 CYL. DISTRIBUTOR

Basic numbers only shown on illustration. Order by Part Numbers shown in list of parts.

CHASSIS PARTS CATALOGUE

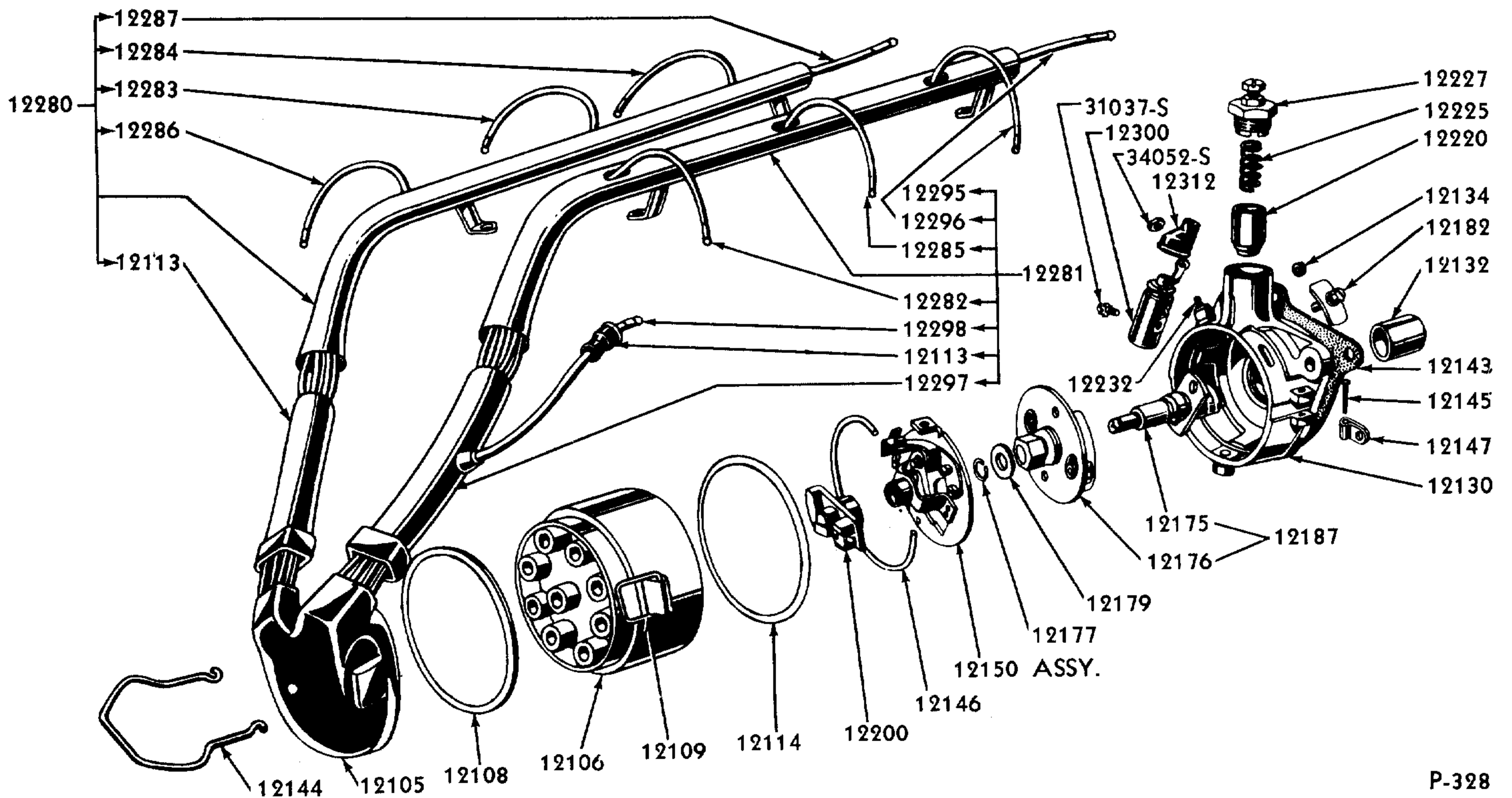


1947-48 6 CYL. DISTRIBUTOR (7HA-12127)
 Basic numbers only shown on illustration. Order by Part Numbers shown in list of parts.



P-428

1942-44 8 CYL. DISTRIBUTOR (21A-12127)

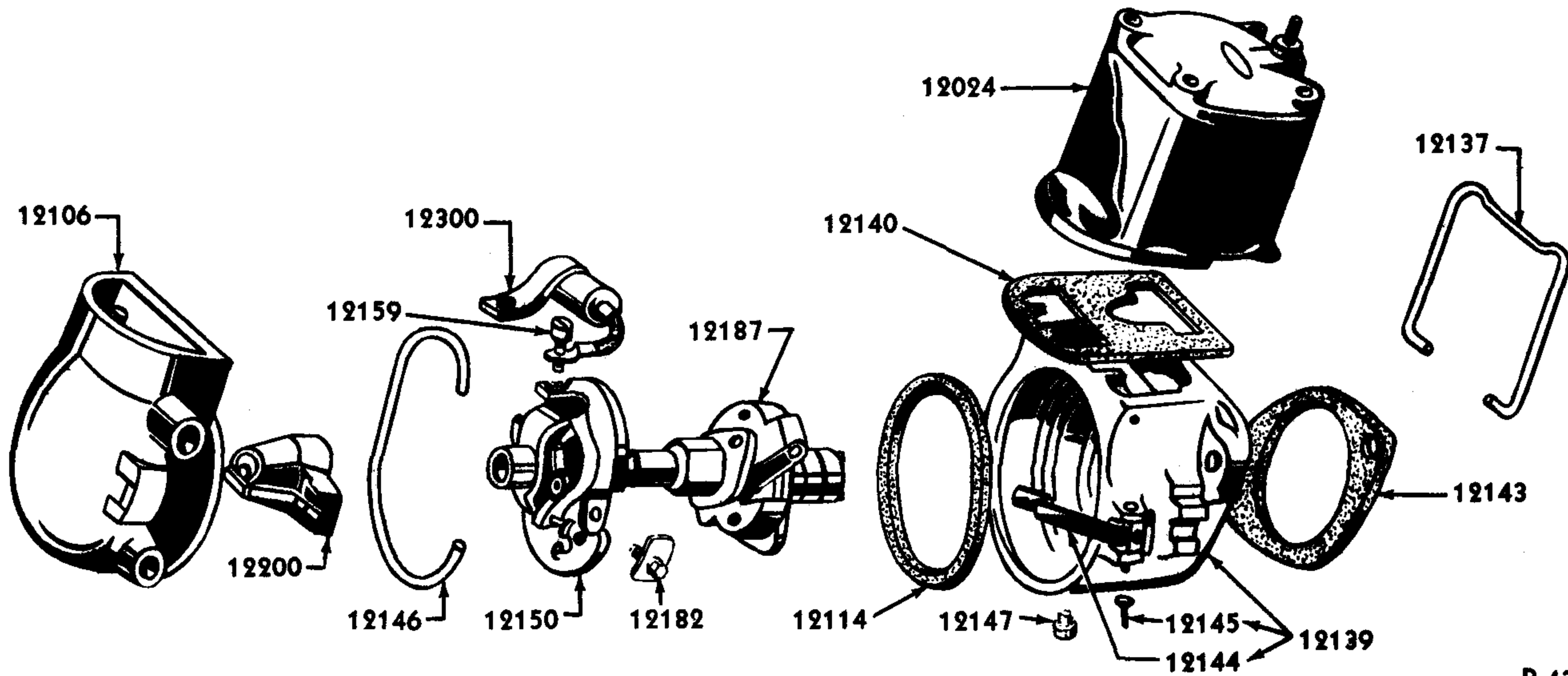


P-328

1945-48 8 CYL. DISTRIBUTOR (59A-12127) & RELATED PARTS

Basic numbers only shown on illustration. Order by Part Numbers shown in list of parts.

CHASSIS PARTS CATALOGUE



P-437

1941-42 4 CYL. DISTRIBUTOR

Basic numbers only shown on illustration. Order by Part Numbers shown in list of parts.

DISTRIBUTOR REPLACEMENT CHART

PART NUMBER	REPLACED BY	ENGINE		PASS. YEAR	COMM. (LT. TRUCK) YEAR	TRUCK		
		CYL.	H.P.			122" - ¼ TON YEAR	122" 1 TON YEAR	1½ TON YEAR
9N 12000		4	40		41-42	41-42	41-42	
9N 12100		4	40		41-42	41-42	41-42	
A 12127		4		28-31	28-31			28-31
B 12127		4		32-34	32-34			32-34
18 12127	☆11A 12127	8	90	32	32			32
40 12127-A	☆11A 12127	8	90	33	33			33
40 12127-B	☆11A 12127	8	90	34-36	34-36			34-36
68 12127	△11A 12127	8	90	36	36			36
78 12127	11A 12127	8	All	37-40	37-40	39-40	38-40	37-40
11A 12127		8	All	41	41	41	41	41
1GA 12127		6	90	41-42	41-42	41-42	41-42	41-42
21A 12127		8	All	42-44	42-44	42-44	42-44	42-44
59A 12127		8	100	45-48	45-47	45-47	45-47	45-47
5GA 12127		◇6	90	46-47	46-47	46-47	46-47	46-47
7HA 12127		✱6	90	47-48	47	47	47	47

◇ "G" Series

☆ Also necessary to replace 1-78 or 81A-12024 Coil

1-78-12140-A Gasket

△

Also necessary to use 78 or 81A-12024 Coil and 78-12140-A Gasket

✱ "H" Series

2-18-12105-B Cap

2-68-12116 Plate



CHASSIS PARTS CATALOGUE

PART NUMBER	PART NAME	NO. REQ'D	MODEL	YEAR 19__
Distributor				
B 12000	Coil assy (ignition)	1	Pass,Comm,Trucks (4 cyl)	28-34
	26483-S7 Bolt (ignition coil to dash)- 1/4" -20 x 1/2"	2	Pass,Comm,Trucks (4 cyl)	28-31
	34805-S8 Lockwasher-1/4"			
	26554-S2 Screw (ignition coil to dash)- No.12-24 x 1 1/8"	2	Pass,Comm,Trucks (4 cyl)	32-34
	34804-S8 Lockwasher-No.12			
	34079-S7 Nut (ignition coil terminal)- No.10-32	2	Pass,Comm,Trucks (4 cyl)	28-34
	34803-S7 Lockwasher-No.10			
68 12006	Spring (ignition coil contact)	1	Pass,Comm,Trucks (8 cyl)	36-41
91A 12006	Spring (ignition coil contact)	1	Comm,Trucks 40 HP (4 cyl)	41-42
18 12010	Brush & spring assy (ignition coil)-use with 18-12024-A	1	Pass,Comm,Trucks (8 cyl)	32-36
68 12010	Brush & spring assy (ignition coil)-use with 68-12024,78-12024-A or 81A-12024	1	Pass,Comm,Trucks (8 cyl)	36-41
18 12024-A	Coil & condenser assy (ignition)-dome top-3 screw mounting-use with 18-12127,40-12127-A or 40-12127-B	1	Pass,Comm,Trucks (8 cyl)	32-36
68 12024	Coil & condenser assy (ignition)-flat top-3 screw mounting-use with 68-12127	1	Pass,Comm,Trucks (8 cyl)	36
78 12024-A	Coil & condenser assy (ignition)-dome top-2 screw mounting-use with 78-12127 or 11A-12127- replaced by 78-12036	1	Pass,Comm,Trucks (8 cyl)	37-41
81A 12024	Coil & condenser assy (ignition)-dome top with 4 rivets-2 screw mounting-use with 78-12127 or 11A-12127-replaced by 81A-12036	1	Pass,Comm,Trucks (8 cyl)	37-41
9N 12024	Coil assy (ignition)-use with 9N-12100	1	Comm,Trucks 40 HP (4 cyl)	41-42
1GA 12024	Coil assy (ignition)-use with 1GA or 5GA-12127	1	Pass,Comm,Trucks (6 cyl "G" Series)	41-47
1GA 12024	Coil assy (ignition)-use with 21A or 59A-12127	1	Pass,Comm,Trucks (8 cyl)	42-48
	21A-12257 Bracket (ignition coil mounting-use with 21A or 59A-12127	1	Pass (8 cyl)	42-48
		1	Comm,Trucks (8 cyl)	42-47
8BA 12029	Coil assy (ignition)-less mounting strap-use with 7HA-12127	1	Pass (6 cyl "H" Series)	47-48
		1	Comm,Trucks (6 cyl "H" Series)	47
	350830-S7 Nut (ignition coil terminal)- No.8-32-use with 9N-12024	1	Comm,Trucks 40 HP (4 cyl)	41-42
	350830-S7 Nut (ignition coil terminal)- No.8-32 use with 1GA-12024	2	Pass (6 cyl)	41-48
		2	Comm,Trucks (6 cyl)	41-47
	350830-S7 Nut (ignition coil terminal)- No.8-32-use with 18-12024-A, 68-12024,78-12024-A or 81A-12024	1	Pass,Comm,Trucks (8 cyl)	32-41
	350830-S7 Nut (ignition coil terminal) No.8-32-use with 1GA-12024	2	Pass (8 cyl)	42-48
		2	Comm,Trucks (8 cyl)	42-47
	34079-S7 Nut (ignition coil terminal)- No.10-32	2	Pass (6 cyl "H" Series)	47-48
		2	Comm,Trucks (6 cyl "H" Series)	47
	34803-S7 Lockwasher-No.10			



CHASSIS PARTS CATALOGUE

PART NUMBER	PART NAME	NO. REQ'D	MODEL	YEAR
	34802-S7 Lockwasher-No.8			
	+26587-S7 Bolt (ignition coil attaching)- 1/4"-20 x 1 5/8"-use with 1GA-12024	2	Pass,Comm,Trucks (6 cyl"G" Series)	41-47
	+26587-S7 Bolt (ignition coil attaching)- 1/4"-20 x 1 5/8"-use with 1GA-12024	2	Pass (8 cyl)	42-48
		2	Comm,Trucks (8 cyl)	42-47
	44719-S8 Washer-flat-1/4"			
	34805 -S8 Lockwasher-1/4"			
	27153-S7 Screw (ignition coil attaching)-No.10-32 x 1 1/8"	3	Pass,Comm,Trucks (8 cyl)	32-36
	27177-S7 Screw (ignition coil attaching)-No.10-32 x 1 1/2"	2	Pass,Comm,Trucks (8 cyl)	37-41
	34803-S7 Lockwasher-No.10			
78 12036	Coil assy (ignition)-less condenser-dome top- 2 screw mounting	1	Pass,Comm,Trucks (8 cyl)	37-41
81A 12036	Coil assy (ignition)-less condenser-dome top with 4 rivets-2 screw mounting	1	Pass,Comm,Trucks (8 cyl)	37-41
	350830-S Nut (ignition coil terminal)- No.8-32-use with 78-12036 or 81A-12036	1	Pass,Comm,Trucks (8 cyl)	32-41
	27177-S7 Screw (ignition coil attaching)- No.10-32 x 1 1/2"	2	Pass,Comm,Trucks (8 cyl)	37-41
	34803-S2 Lockwasher-No.10			
7HA 12043-C	Strap assy (ignition coil mounting)-use with 7RA-12029	1	Pass (6 cyl"H" Series)	47-48
		1	Comm,Trucks (6 cyl "H" Series)	47
	27113-S7 Screw (ignition coil mounting strap clamping)-No.10-32 x 3/4"	1	Pass (6 cyl "H" Series)	47-48
		1	Comm,Trucks (6 cyl"H" Series)	47
	34141-S7 Nut (ignition coil mounting strap clamping screw)-No.10- 32	1	Pass (6 cyl"H" Series)	47-48
		1	Comm,Trucks (6 cyl "H" Series)	47
	34803-S7 Lockwasher (ignition coil mounting strap clamping screw)-No.10	1	Pass (6 cyl"H" Series)	47-48
		1	Comm,Trucks (6 cyl "H" Series)	47
	20326-S7 Bolt (ignition coil mounting strap to cyl. block)-5/16"- 18 x 5/8"	2	Pass (6 cyl"H" Series)	47-48
		2	Comm,Trucks (6 cyl "H" Series)	47
	34846-S2 Lockwasher (ignition coil mounting strap to cyl. block bolt)-5/16"	2	Pass (6 cyl"H" Series)	47-48
		2	Comm,Trucks (6 cyl "H" Series)	47
9N 12100	Distributor assy-less coil	1	Comm,Trucks 40 HP (4 cyl)	41-42
	48-12148 Bolt (distributor to front cylinder cover)	2	Comm,Trucks 40 HP (4 cyl)	41-42
18 12104	Gasket set (distributor)-use with 18-12127, 40-12127-A,40-12127-B,78-12127 or 11A-12127- consists of the following 2- 18 12108 Gasket 1- 78 12140-A Gasket 2- 18 12115 Ring 1- 68 12143 Gasket 1- 18 12140-A Gasket	1	Pass,Comm,Trucks (8 cyl)	32-41
21A 12104	Gasket set (distributor)-use with 21A-12127 or 59A-12127-consists of the following 1-59A 12108 Gasket 1-1GA 12134 Seal 1-21A 12114 Gasket 1-1GA 12143 Gasket 1-1GA 12114-B Gasket 1-1GA 12312 Cap	1	Pass (8 cyl)	42-48
		1	Comm,Trucks (8 cyl)	42-47

† No Longer Supplied



CHASSIS PARTS CATALOGUE

PART NUMBER	PART NAME	NO. REQ'D	MODEL	YEAR 19__
21A 12104	Gasket set (distributor)-use with 1GA-12127 or 5GA-12127-consists of the following 1-59A 12108 Gasket 1-1GA 12134 Seal 1-21A 12114 Gasket 1-1GA 12143 Gasket 1-1GA 12114-B Gasket 1-1GA 12312 Cap	1	Pass,Comm,Trucks (6 cyl"G" Series)	41-47
B 12105	Body assy (distributor terminal)-use with A-12127 or B-12127	1	Pass,Comm,Trucks (4 cyl)	28-34
†18 12105-A	Cap (distributor terminal plate)-without center pillar-use with 18-12127 or 40-12127-A	2	Pass,Comm,Trucks (8 cyl)	32-33
18 12105-B	Cap (distributor terminal plate)-with center pillar-use with 18-12127,40-12127-A,40-12127-B, 68-12127,78-12127 or 11A-12127	2	Pass,Comm,Trucks (8 cyl)	32-41
59A 12105	Cap (distributor terminal housing)-use with 59A-12127	1	Pass (8 cyl)	45-48
		1	Comm,Trucks (8 cyl)	45-47
9N 12106-B	Housing assy (distributor terminal)-use with 9N-12100	1	Comm,Trucks 40 HP (4 cyl)	41-42
1GA 12106	Housing assy (distributor terminal)-use with 1GA-12127	1	Pass,Comm,Trucks (6 cyl)	41-42
21A 12106-A	Housing assy (distributor terminal)-use with 21A-12127	1	Pass,Comm,Trucks (8 cyl)	42-44
59A 12106	Housing assy (distributor terminal)-use with 59A-12127	1	Pass (8 cyl)	45-48
		1	Comm,Trucks (8 cyl)	45-47
5GA 12106	Housing assy (distributor terminal)-use with 5GA-12127	1	Pass,Comm,Trucks (6 cyl"G" Series)	46-47
7HA 12106	Housing assy (distributor terminal)-use with 7HA-12127	1	Pass (6 cyl"H" Series)	47-48
		1	Comm,Trucks (6 cyl"H" Series)	47
18 12107	Point set (distributor breaker arm & contact)-use with 18-12127,40-12127-A or 40-12127-B-consists of the following 1- 18 12162-B Arm 2- 351301-S Washer 2- 18 12172-B Points 2- 352200-S Cotter pin	1	Pass,Comm,Trucks (8 cyl)	32-36
78 12107	Point set (distributor breaker arm & contact)-use with 68-12127,78-12127,11A-12127-21A-12127 or 59A-12127-consists of the following 2- 68 12162 Arm 2- 351260-S Washer 1- 68 12218 Point 2- 351201-S Cotter pin 1- 68 12219 Point 2- 355016-S7 Screw	1 1	Pass (8 cyl) Comm,Trucks (8 cyl)	36-48 36-47
1GA 12107	Point set (distributor breaker arm & contact)-use with 1GA-12127 or 5GA-12127-consists of the following 1- 68 12162 Arm 1- 351260-S Washer 1- 68 12219 Point 1- 352201-S Cotter pin 1- 355016-S7 Screw	1	Pass,Comm,Trucks (6 cyl"G" Series)	41-47
18 12108	Gasket (distributor terminal plate cap)	2	Pass,Comm,Trucks (8 cyl)	32-41
59A 12108	Gasket (distributor terminal housing cap)	1	Pass (8 cyl)	45-48
		1	Comm,Trucks (8 cyl)	45-47
59A 12109	Bail (distributor terminal housing cap)	2	Pass (8 cyl)	45-48
		2	Comm,Trucks (8 cyl)	45-47
8HA 12110	Conduit (ignition cable)-used when oil bath cleaner is used	1	Pass,Comm,Trucks (6 cyl "H" Series)	47-48
9N 12112	Conduit (distributor spark plug wires)-use with 9N-12100	1	Comm,Trucks 40 HP (4 cyl)	41-42

† No Longer Supplied



CHASSIS PARTS CATALOGUE

PART NUMBER	PART NAME	NO. REQ'D	MODEL	YEAR
				19__
18 12113	Seal (distributor to spark plug wire conduit weather)-rubber	2	Pass,Comm,Trucks (8 cyl)	32-41
9N 12113-A	Seal (distributor to spark plug wire conduit weather)-replaced by 2N-12113	4	Comm,Trucks 40 HP (4 cyl)	41-42
9N 12113-A	Seal (distributor to spark plug wire conduit weather)-replaced by 2N-12113	6	Pass,Comm,Trucks (6 cyl"G" Series)	41-47
9N 12113-A	Seal (distributor to spark plug wire conduit weather)-replaced by 2N-12113	8	Pass (8 cyl)	42-48
9N 12113-A	Seal (distributor to spark plug wire conduit weather)-replaced by 2N-12113	8	Comm,Trucks (8 cyl)	42-47
9N 12113-A	Seal (distributor to coil high tension wire weather)-replaced by 2N-12113	2	Pass,Comm,Trucks (6 cyl"G" Series)	41-47
9N 12113-A	Seal (distributor to coil high tension wire weather)-replaced by 2N-12113	2	Pass (8 cyl)	42-48
9N 12113-A	Seal (distributor to coil high tension wire weather)-replaced by 2N-12113	2	Comm,Trucks (8 cyl)	42-47
2N 12113	Seal (distributor to spark plug wire conduit weather)	4	Comm,Trucks 40 HP (4 cyl)	41-42
2N 12113	Seal (distributor to spark plug wire conduit weather)	6	Pass (6 cyl"H" Series)	47-48
2N 12113	Seal (distributor to spark plug wire conduit weather)	6	Comm,Trucks (6 cyl"H" Series)	47
2N 12113	Seal (distributor to coil high tension wire weather)	2	Pass (6 cyl"H" Series)	47-48
2N 12113	Seal (distributor to coil high tension wire weather)	2	Comm,Trucks (6 cyl"H" Series)	47
59A 12113	Seal (distributor to spark plug wire conduit weather)-R.H.	1	Pass (8 cyl)	46-48
59A 12113	Seal (distributor to spark plug wire conduit weather)-R.H.	1	Comm,Trucks (8 cyl)	45-47
5GA 12113	Seal (distributor to spark plug wire conduit weather)	1	Pass,Comm,Trucks (6 cyl"G" Series)	46-47
91A 12114	Gasket (distributor terminal housing)-use with 9N-12100	1	Comm,Trucks 40 HP (4 cyl)	41-42
1GA 12114-A	Gasket (distributor terminal housing)-use with 1GA-12127	1	Pass,Comm,Trucks (6 cyl)	41-42
1GA 12114-B	Gasket (distributor terminal housing)-3.16" O.D.-2.94" I.D.-use with 1GA-12127 or 5GA-12127	1	Pass,Comm,Trucks (6 cyl"G" Series)	41-47
1GA 12114-B	Gasket (distributor terminal housing)-3.16" O.D.-2.94" I.D.-use with 59A-12127	1	Pass (8 cyl)	46-48
1GA 12114-B	Gasket (distributor terminal housing)-3.16" O.D.-2.94" I.D.-use with 59A-12127	1	Comm,Trucks (8 cyl)	45-47
21A 12114	Gasket (distributor terminal housing)-use with 21A-12127	1	Pass,Comm,Trucks (8 cyl)	42-44
B 12115	Cap assy (distributor terminal body)-use with A-12127 or B-12127	1	Pass,Comm,Trucks (4 cyl)	28-34
18 12115	Ring (distributor terminal plate cap retaining)-rubber	2	Pass,Comm,Trucks (8 cyl)	32-41
18 12116	Plate (distributor terminal)-use with 18-12127, 40-12127-A or 40-12127-B	2	Pass,Comm,Trucks (8 cyl)	32-36
68 12116	Plate (distributor terminal)-use with 68-12127, 78-12127 or 11A-12127	2	Pass,Comm,Trucks (8 cyl)	36-41
†18 12120	Bushing (distributor housing)-front		Refer to 12127 Distributor Chart	
40 12120	Bushing (distributor housing)-front		Refer to 12127 Distributor Chart	
1GA 12120	Bushing (distributor breaker plate)		Refer to 12127 Distributor Chart	
7RA 12120	Bushing (distributor housing)-upper		Refer to 12127 Distributor Chart	
40 12124	Housing (distributor advance)-use with 18-12127, 40-12127-A or 40-12127-B		Refer to 12127 Distributor Chart	
68 12124	Housing (distributor advance)-use with 68-12127, 78,12127 or 11A-12127		Refer to 12127 Distributor Chart	
18 12126	Pipe (distributor drain)		Refer to 12127 Distributor Chart	
21A 12126-A	Pin (distributor terminal housing location)		Refer to 12127 Distributor Chart	
21A 12126-A	Pin (distributor terminal housing location)		Refer to 12127 Distributor Chart	

† No Longer Supplied



CHASSIS PARTS CATALOGUE

PART NUMBER	PART NAME	NO. REQ'D	MODEL	YEAR 19__
A 12127	Distributor assy-less terminal body, cap and rotor	1	Pass,Comm,Trucks (4 cyl)	28-31
B 12127	Distributor assy-less terminal body, cap and rotor	1	Pass,Comm,Trucks (4 cyl)	32-34
	+90570-S8 Set screw (distributor to cylinder block)-3/8"-24 x 11/16"	1	Pass,Comm,Trucks (4 cyl)	28-34
	33800-S8 Nut (distributor to cylinder block set screw)-3/8"-24	1	Pass,Comm,Trucks (4 cyl)	28-34
18 12127	Distributor assy-less coil, terminal plates & caps-replaced by the following 1- 78 12024-A Coil 2- 68 12116 Plate 1- 78 12140-A Gasket 1-11A 12127 Distributor 2- 18 12105-B Cap	1	Pass,Comm,Trucks 90 HP (8 cyl)	32
40 12127-A	Distributor assy-less coil, terminal plates & caps-shaft stamped "40A"-replaced by the following 1- 78 12024-A Coil 2- 68 12116 Plate 1- 78 12140-A Gasket 1-11A 12127 Distributor 2- 18 12105-B Cap	1	Pass,Comm,Trucks 90 HP (8 cyl)	33
40 12127-B	Distributor assy-less coil terminal plates, & caps-shaft stamped "40B"-replaced by the following 1- 78 12024-A Coil 2- 68 12116 Plate 1- 78 12140-A Gasket 1-11A 12127 Distributor 2- 18 12105-B Cap	1	Pass,Comm,Trucks 90 HP (8 cyl)	34-36
68 12127	Distributor assy-less coil, terminal plates & caps-shaft stamped "68"-replaced by 11A-12127, 78-12024-A & 78-12140-A	1	Pass,Comm,Trucks 90 HP (8 cyl)	36
78 12127	Distributor assy-less coil, terminal plates & caps-shaft stamped "78"-replaced by 11A-12127	1	Pass,Comm,Trucks (8 cyl)	37-40
11A 12127	Distributor assy-less coil, terminal plates & caps-shaft stamped "11A"	1	Pass,Comm,Trucks (8 cyl)	41
	48-12148 Bolt (distributor to cylinder front cover)	3	Pass,Comm,Trucks (8 cyl)	32-41
	34846-S2 Lockwasher (distributor to front cover bolt)-5/16"	3	Pass,Comm,Trucks (8 cyl)	32-41
	B-10141 Oil cup (distributor)	1	Pass,Comm,Trucks (8 cyl)	33-41
1GA 12127	Distributor assy-less terminal housing	1	Pass,Comm,Trucks (6 cyl)	41-42
	48-12148 Bolt (distributor to cylinder front cover)	2	Pass,Comm,Trucks (6 cyl)	41-42
	34846-S2 Lockwasher (distributor to cylinder front cover)-5/16"	2	Pass,Comm,Trucks (6 cyl)	41-42
21A 12127	Distributor assy-less terminal housing	1	Pass,Comm,Trucks (8 cyl)	42-44
59A 12127	Distributor assy-less terminal housing & rotor	1	Pass (8 cyl)	46-48
		1	Comm,Trucks (8 cyl)	45-47
	48-12148 Bolt (distributor to cylinder front cover)	2	Pass (8 cyl)	42-48
		2	Comm,Trucks (8 cyl)	42-47
	34846-S2 Lockwasher-5/16"			
5GA 12127	Distributor assy-less terminal housing & rotor	1	Pass,Comm,Trucks (6 cyl "G" Series)	46-47
	48-12148 Bolt (distributor to cylinder front cover)	2	Pass,Comm,Trucks (6 cyl "G" Series)	46-47
	34846-S2 Lockwasher-5/16"			
7HA 12127	Distributor assy-less terminal housing & rotor	1	Pass (6 cyl "H" Series)	47-48
		1	Comm,Trucks (6 cyl "H" Series)	47
	B-10141 Oil cup (distributor)	1	Pass (6 cyl "H" Series)	47-48
		1	Comm,Trucks (6 cyl "H" Series)	47
	20326-S7 Bolt (distributor to engine mounting)-5/16"-18 x 5/8"	1	Pass (6 cyl "H" Series)	47-48
		1	Comm,Trucks (6 cyl "H" Series)	47
	34941-S2 Lockwasher-5/16"			
	44722-S8 Washer-flat-5/16"			

+ No Longer Supplied



CHASSIS PARTS CATALOGUE

DISTRIBUTOR CHART

PART NUMBER	PART NAME	DISTRIBUTOR													
		A-12127	B-12127	9N-12100	1GA-12127	6GA-12127	7HA-12127	18-12127	40-12127-A	40-12127-B	68-12127	78-12127	11A-12127	21A-12127	89A-12127
†18-12120	Bushing (distributor housing)-front							1							
40-12120	Bushing (distributor housing)-front								1	1	1	1	1		
1GA-12120	Bushing (distributor breaker plate)				1	1								1	1
7RA-12120	Bushing (distributor housing)-upper						1								
40-12124	Housing (distributor advance)							1	1	1					
68-12124	Housing (distributor advance)										1	1	1		
18-12126	Pipe (distributor drain)							1	1	1	1	1	1		
21A-12126-A	Pin (distributor terminal housing location)				1	1								1	1
A 12130	Housing assy (distributor)	1													
	351259-S Washer (distributor housing insulation) .20" x .56"	1													
†B 12130	Housing assy (distributor)		1												
18 12130	Housing assy (distributor)-replaced by 40-12130							1							
40 12130	Housing assy (distributor)								1	1					
68 12130	Housing assy (distributor)-replaced by 78-12130										1				
78 12130	Housing assy (distributor)											1	1		
21A 12130-A	Housing assy (distributor)				1	1								1	1
7HA 12130	Housing assy (distributor)						1								
B 12132	Bushing (distributor housing)	2	2												
18 12132	Bushing (distributor housing)			1	1	1		1	1	1	1	1	1	1	1
7RA 12132	Bushing (distributor housing)-lower						1								
18 12133	Wick (distributor oil)							1	1	1	1	1	1		
†18 12134	Gasket (distributor advance housing)							1							
1GA 12134	Seal (distributor housing vacuum)				1	1								1	1
B 12135	Oiler (distributor housing)	1	1												
1GA 12135	Retainer (distributor housing vacuum seal)				1	1								1	1
18 12136	Plug (distributor oil hole)-use with 18-12130-replaced by 74111-S							1							
	74111-S Plug (distributor oil hole)-5/8"							1							
A 12137	Spring (distributor breaker plate friction)	1													
9N 12137	Bail (ignition coil)-use with 9N-12024			1											
18 12138-A	Plug (distributor housing inspection hole)-rubber							2	2	2	2	2			
9N 12139	Housing & clamp assy (distributor)			1											
18 12140-A	Gasket (ignition coil to distributor)-use with 18-12024-A							1	1	1					

† No Longer Supplied



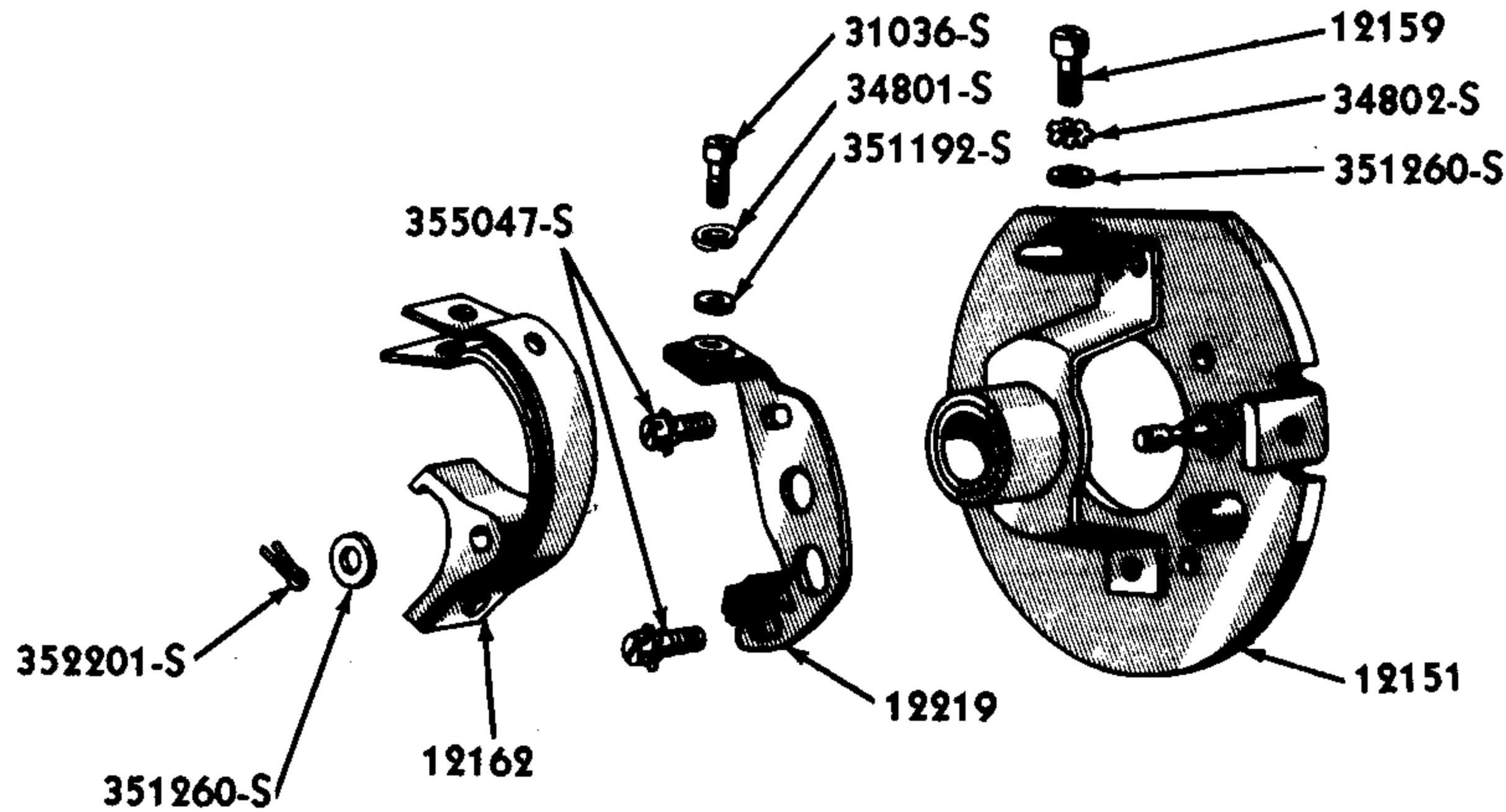
CHASSIS PARTS CATALOGUE

DISTRIBUTOR CHART

PART NUMBER	PART NAME	DISTRIBUTOR															
		A-12127	B-12127	9N-12100	1GA-12127	5GA-12127	7HA-12127	18-12127	40-12127-A	40-12127-B	68-12127	78-12127	11A-12127	21A-12127	59A-12127		
68 12140-A	Gasket (ignition coil to distributor)-use with 68-12024										1						
78 12140-A	Gasket (ignition coil to distributor)-use with 78-12024-A or 81A-12024										1	1					
91A 12140	Gasket (ignition coil)-use with 9N-12024			1													
68 12143	Gasket (distributor to cylinder front cover)							1	1	1	1	1	1				
+9N 12143	Gasket (distributor to cylinder front cover)			1													
1GA 12143	Gasket (distributor to cylinder front cover)				1	1								1	1		
B 12144	Clamp (distributor cap)	2	2														
18 12144	Bail (distributor terminal plate cap)							2	2	2	2	2	2				
9N 12144	Clamp (distributor terminal housing)			2													
1GA 12144	Clamp (distributor terminal housing hold down)-1.12" long				2									2			
59A 12144	Bail (distributor terminal housing)																1
5GA 12144	Clamp (distributor terminal housing hold down)-2.24" long				2												
7RA 12144	Clamp (distributor terminal housing hold down)					2											
B 12145	Rivet (distributor cap clamp)-.94" long	2	2	2	2												
B 12145	Rivet (distributor terminal housing hold down clamp)					2											2
21A 12145	Rivet (distributor cap clamp)-1.14" long													2			
18 12146	Snap ring (distributor advance housing to distributor)							1	1	1	1	1	1				
91A 12146	Snap ring (distributor shaft to housing)			1													
1GA 12146	Snap ring (distributor shaft to housing)				1	1								1	1		
7RA 12146	Snap ring (distributor breaker plate)					1											
9N 12147	Cap (distributor vent)			1		1								1			
59A 12147	Hinge (distributor terminal housing bail)																2
A 12148	Support assy (distributor bus bar)	1															
	26457-S7 Screw (distributor bus bar support)-No.8-32 x 1/4"	2															
	34802-S7 Lockwasher (distributor bus bar support) -No.8	2															
48 12148	Bolt (cylinder front cover to cylinder block)-5/16"-18x.90"																
48 12148	Bolt (trans gear shift housing to trans case)-5/16"-18 x .90"																
48 12148	Bolt (distributor mounting)-5/16"-18 x .90"				2	2	2			3	3	3	3	3	3	2	2
	34846-S2 Lockwasher (distributor mounting bolt)-5/16"				2	2	2			3	3	3	3	3	3	2	2

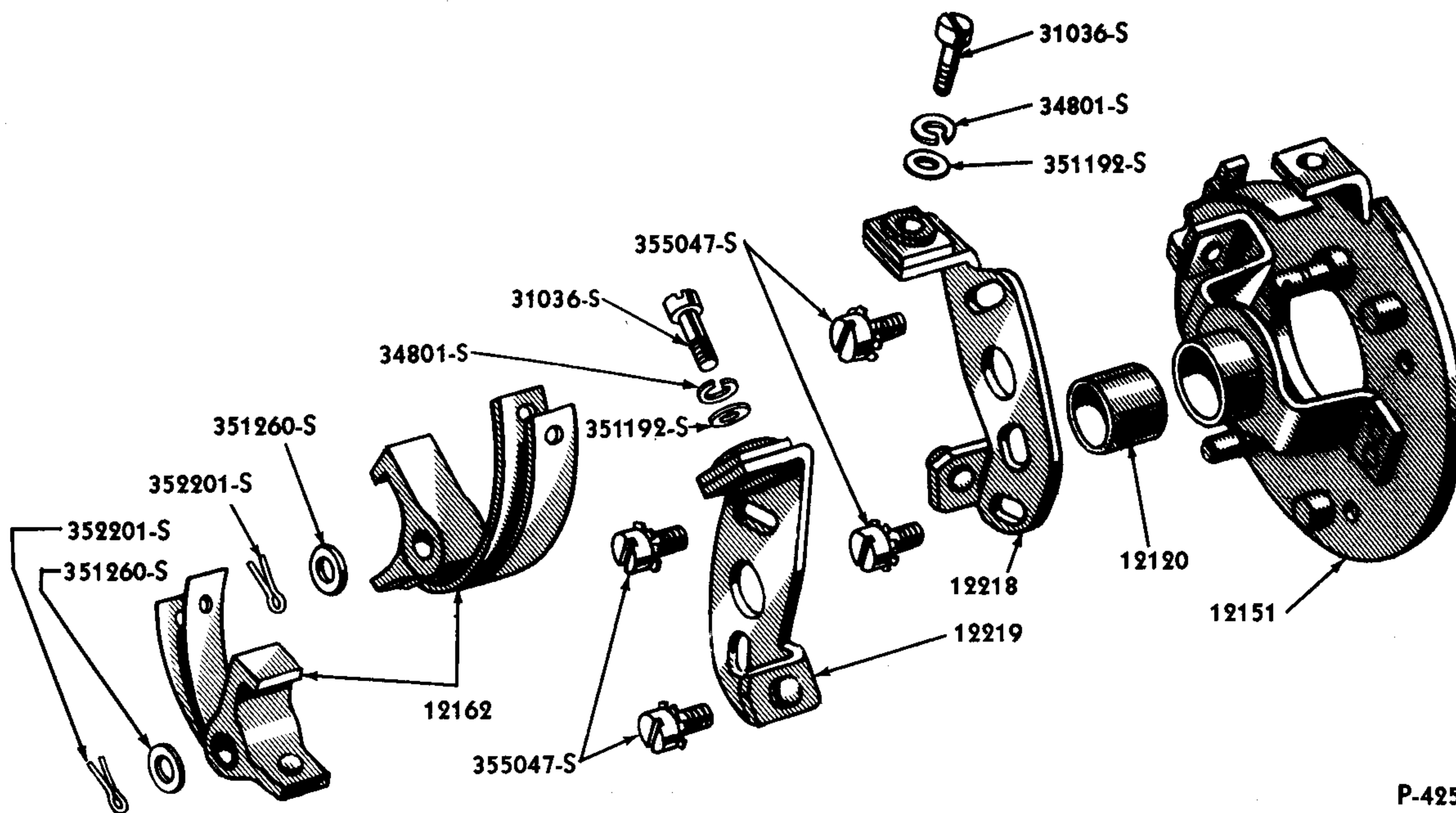
† No Longer Supplied

CHASSIS PARTS CATALOGUE



P-551

1941-42 4 CYL. DISTRIBUTOR BREAKER (9N-12150)



P-425

1942-48 8 CYL. DISTRIBUTOR BREAKER (21A-12150)

Basic numbers only shown on illustration. Order by Part Numbers shown in list of parts.

DISTRIBUTOR CHART

PART NUMBER	PART NAME	DISTRIBUTOR													
		A-12127	B-12127	9N-12100	1GA-12127	5GA-12127	7HA-12127	18-12127	40-12127-A	40-12127-B	68-12127	78-12127	11A-12127	21A-12127	59A-12127
18-12150-B	Breaker assy (distributor)							1	1	1					
68 12150	Breaker assy (distributor)										1	1	1		
9N 12150	Breaker assy (distributor)			1											
	350101-S7 Screw (distributor breaker plate)- No.10-32 x 1/2"			1											
	+63311-S7 Rivet (distributor breaker primary bracket)-5/32" x 5/16"			1											
	91A-12174 Washer (distributor breaker plate screw)- replaced by 59A-12182-A			1											
	34803-S7 Lockwasher (distributor breaker plate screw) -No.10			1											

† No Longer Supplied



CHASSIS PARTS CATALOGUE

DISTRIBUTOR CHART

PART NUMBER	PART NAME	DISTRIBUTOR													
		A-12127	B-12127	9N-12100	1GA-12127	5GA-12127	7HA-12127	18-12127	40-12127-A	40-12127-B	68-12127	78-12127	11A-12127	21A-12127	59A-12127
1GA 12150	Breaker assy (distributor)				1	1									
	+63311-S7 Rivet (distributor breaker primary bracket)-5/32" x 5/16"				1	1									
21A 12150	Breaker assy (distributor)												1	1	
	+63311-S7 Rivet (distributor breaker primary bracket)-5/32" x 5/16"												1	1	
7HA 12150-B	Breaker assy (distributor)						1								
A 12151	Plate assy (distributor breaker)	1													
	34052-S7 Nut (distributor breaker arm spring stud)-No.8-32	1													
	44710-S8 Washer (distributor breaker arm spring stud)-flat-No.8	1													
	34802-S7 Lockwasher (distributor breaker arm spring stud)-No.8	1													
B 12151	Plate assy (distributor breaker)		1												
	31596-S7 Screw (distributor breaker plate spark advance arm)-No.10-32 x 3/8"		1												
	34803-S7 Lockwasher (distributor breaker plate spark advance arm screw)-No.10		1												
	+351253-S2 Washer (distributor breaker plate spark advance arm screw)-flat-.19" x 7/16"		1												
18 12151-B	Plate assy (distributor breaker)						1	1	1						
68 12151	Plate assy (distributor breaker)									1	1	1			
1GA 12151	Plate assy (distributor breaker)				1	1									
21A 12151	Plate assy (distributor breaker)												1	1	
7HA 12151-B	Plate assy (distributor breaker)						1								
	350101-S7 Screw (distributor breaker plate adjusting)-No.10-32 x 1/2"				1	1		1	1	1	1	1	1	1	1
	34803-S7 Lockwasher (distributor breaker plate adjusting screw)-No.10				1	1		1	1	1	1	1	1	1	1
	91A-12174 Washer (distributor breaker plate adjusting screw)-replaced by 59A-12182-A			1	1	1							1	1	
	18-12174 Washer (distributor breaker plate adjusting screw)							1	1	1	1	1	1		
18 12155	Rivet (distributor breaker arm insulator)							2	2	2					
+68 12156	Insulator (distributor breaker arm)										1	1	1		
	+60964-S7 Rivet (distributor breaker arm & points insulator)-3/32" x 11/16"										2	2	2		
91A 12156	Insulator (distributor primary ferrule)			1											
+91A 12157	Washer (distributor primary ferrule)			1											
91A 12159	Screw (distributor condenser to primary contact)			1											
	34802-S7 Lockwasher (distributor condenser to primary contact screw)-No.8			1											
A 12160	Bracket (distributor contact point)	1													
	26457-S7 Screw (distributor contact point bracket to breaker plate)-No.8-32 x 1/4"	2													
	34802-S7 Lockwasher (distributor contact point bracket to breaker plate screw)-No.8	2													
	44707-S8 Washer (distributor contact point bracket to breaker plate screw)-flat-No.6	2													
	37643-S7 Screw (distributor contact point lock)-No.6-32 x 7/16"	1	1												
	34801-S7 Lockwasher-No.6	1	1												

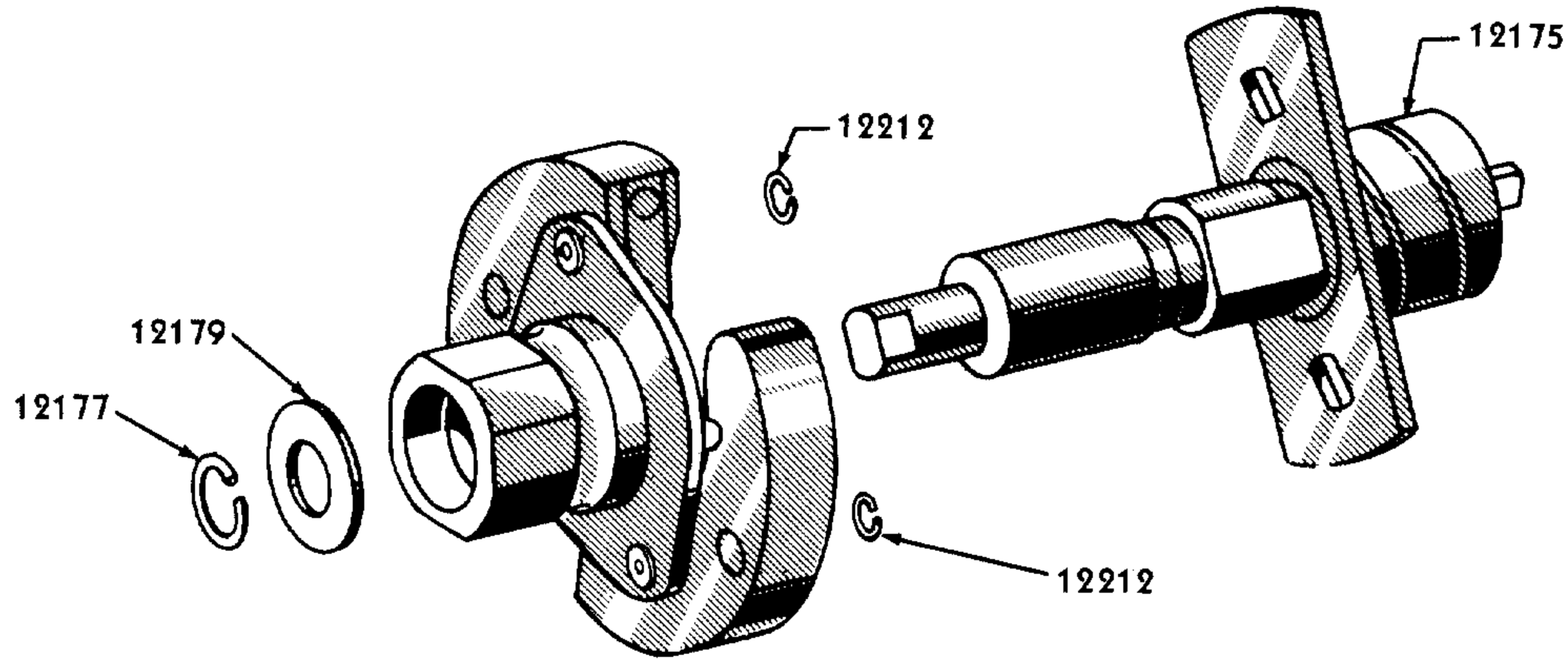
† No Longer Supplied



CHASSIS PARTS. CATALOGUE

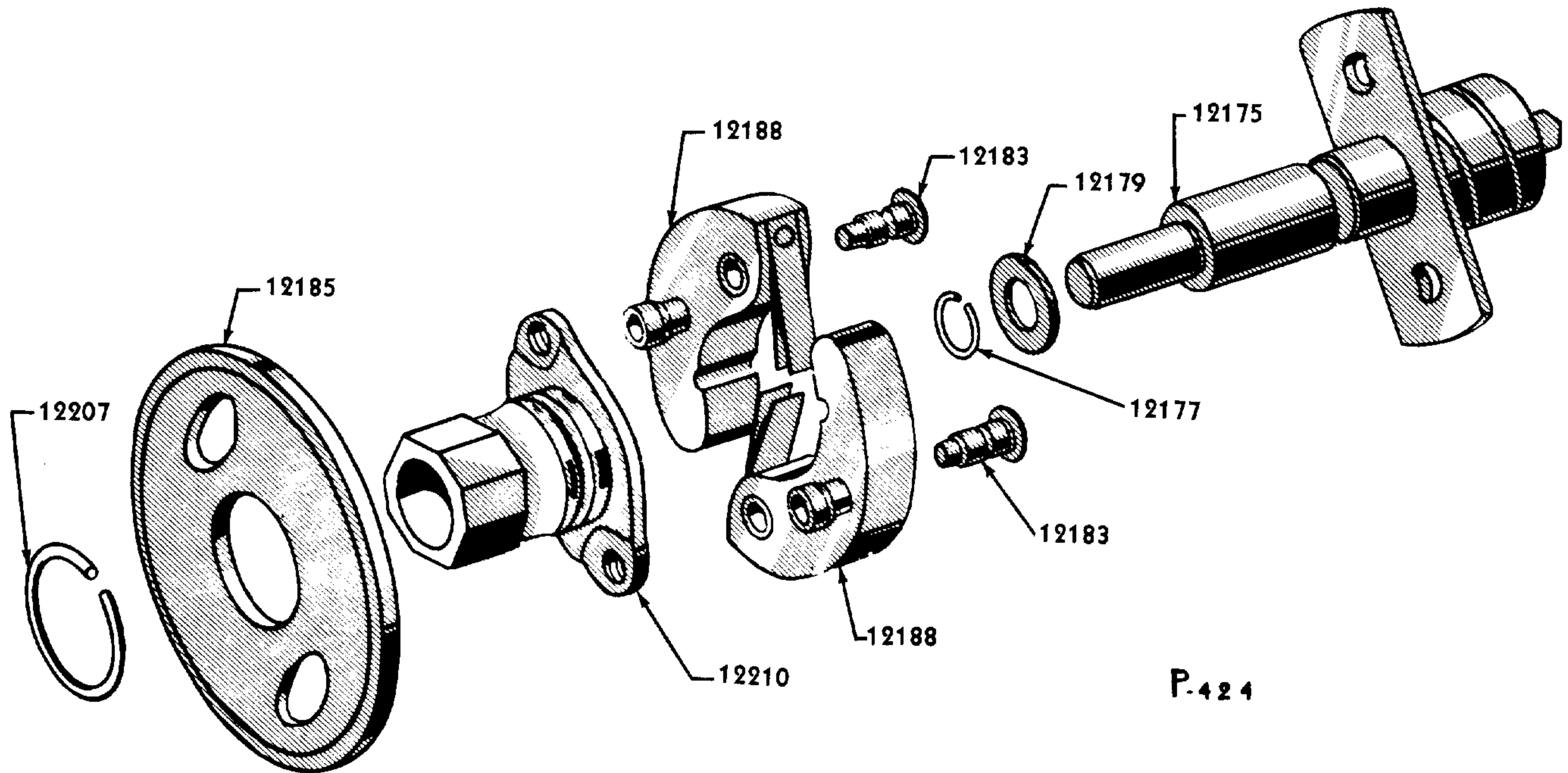
DISTRIBUTOR CHART

PART NUMBER	PART NAME	DISTRIBUTOR													
		A-12127	B-12127	9N-12100	1GA-12127	5GA-12127	7HA-12127	1B-12127	40-12127-A	40-12127-B	66-12127	78-12127	11A-12127	21A-12127	59A-12127
91A 12160	Ferrule (distributor primary)			1											
A 12162	Arm & point assy (distributor breaker)-repl. by A-12199	Refer to 12199													
B 12162	Arm & point assy (distributor breaker)-repl. by B-12199	Refer to 12199													
18 12162-B	Arm & point assy (distributor breaker)							1	1	1					
68 12162	Arm & point assy (distributor breaker)				1	1				2	2	2	2	2	
	31036-S8 Screw (distributor breaker arm to breaker conductor)-No.6-32 x 5/16"									2	2	2	2	2	
	34801-S7 Lockwasher (distributor breaker arm to breaker conductor screw)-No.6									2	2	2	2	2	
	351192-S Washer-flat (distributor breaker arm to breaker conductor screw)-9/64"									2	2	2	2	2	
	351176-S Washer-flat (distributor breaker arm points)-5/64"									2	2	2	2	2	
	351260-S Washer-flat (distributor breaker arm & points)-3/16"				1	1				2	2	2	2	2	
	351301-S Washer-flat (distributor breaker arm & points)-1/4"							2	2	2					
	352200-S Cotter pin (distributor breaker arm & points)-3/64" x 3/8"							2	2	2					
	352201-S Cotter pin (distributor breaker arm & points)-3/64" x 5/16"				1	1				2	2	2	2	2	
9N 12162	Arm & point assy (distributor breaker)			1											
	351260-S Washer-flat (distributor breaker arm & points)-3/16"			1											
	352201-S Cotter pin (distributor breaker arm & points)-3/64" x 5/16"			1											
18 12163-B	Point (distributor breaker)-use with 18-12162-B							2	2	2					
68 12163-A	Contact (distributor breaker arm)											2		2	
B 12169	Spring (distributor breaker arm)		1												
68 12169	Spring (distributor breaker arm)			1	1					2	2	2	2	2	
	351178-S Washer-flat (distributor breaker arm spring)-.10" x 3/16"			1	1					2	2	2	2	2	
B 12170	Shaft & cam assy (distributor)		1												
7HA 12171	Point set assy (distributor breaker arm & contact)							1							
	34801-S7 Lockwasher (distributor breaker arm to contact bracket)-No.6							1							
	351192-S Washer-flat (distributor breaker arm to contact bracket) -9/64"							1							
	34051-S7 Nut (distributor breaker arm stud)-No.6-32							1							
	31037-S7 Screw (distributor point set to housing attaching)-No.8-32 x 5/16"							1							
	68-12230 Screw (distributor point set to housing attaching)-replaced by 31037-S7							1							
B 12172	Point & screw assy (distributor contact)-repl. by AorB-12199	Refer to 12199													
18 12172-B	Point & screw assy (distributor contact)							2	2	2					
	40-12230 Screw (distributor point & screw locking)							2	2	2					
	34801-S7 Lockwasher (distributor contact point locking screw)-No.6							2	2	2					
68 12172-A	Point (distributor contact bracket)-use with 68-12218 or 68-12219			1	1	1				2	2	2	2	2	
21A 12173	Gasket (distributor breaker plate adjustment)			1	1								1	1	
18 12174	Washer (distributor breaker plate adjusting screw)	Refer to 12151													
91A 12174	Washer (distributor breaker plate adjusting screw)-replaced by 59A-12182-A	Refer to 12151													



P-541

1942-47 8 CYL. DISTRIBUTOR SHAFT, CAM & WEIGHTS (9N-12187)



P-424

1942-47 8 CYL. DISTRIBUTOR SHAFT, CAM & WEIGHTS (21A-12187)

Basic numbers only shown on illustration. Order by Part Numbers shown in list of parts.

DISTRIBUTOR CHART

PART NUMBER	PART NAME	DISTRIBUTOR													
		A-12127	B-12127	9N-12100	1GA-12127	5GA-12127	7HA-12127	18-12127	40-12127-A	40-12127-B	68-12127	78-12127	11A-12127	21A-12127	59A-12127
+40 12175-A	Shaft assy (distributor)-stamped "40A"								1						
+40 12175-B	Shaft assy (distributor)-stamped "40B"							1		1					
68 12175	Shaft assy (distributor)-stamped "68"-replaced by 11A-12175										1	1			
9N 12175	Shaft assy (distributor)			1											
11A 12175	Shaft assy (distributor)-stamped "11A"												1		
1GA 12175	Shaft assy (distributor)				1	1									
21A 12175	Shaft assy (distributor)													1	1
7HA 12175-A	Shaft & cam assy (distributor)						1								
+40 12176-A	Cam & weights assy (distributor)								1						
+40 12176-B	Cam & weights assy (distributor)							1		1					

+ No Longer Supplied



CHASSIS PARTS CATALOGUE

DISTRIBUTOR CHART

PART NUMBER	PART NAME	DISTRIBUTOR													
		A-12127	B-12127	9N-12100	1GA-12127	5GA-12127	7HA-12127	1B-12127	40-12127-A	40-12127-B	6B-12127	7B-12127	11A-12127	21A-12127	59A-12127
68 12176	Cam & weights assy (distributor)-replaced by 11A-12176										1	1			
11A 12176	Cam & weights assy (distributor)												1	1	1
1GA 12176	Cam & weights assy (distributor)				1	1									
18 12177	Retainer (distributor cam)						1	1	1	1	1	1			
91A 12177	Retainer (distributor cam)			1											
1GA 12177	Retainer (distributor cam)				1	1								1	1
A 12178	Shaft (distributor cam)-4 7/16" long	1													
	351455-S Washer(dist. cam shaft thrust)-1/2"	1													
†91A 12179	Washer (distributor cam retainer)-.43" I.D.-.75" O.D.			1											
1GA 12179	Washer (distributor cam retainer)				1	1								1	1
59A 12182-A	Screw & washer assy (distributor breaker plate adjusting)			1	1	1								1	1
18 12183	Pin (distributor weight pivot)						2	2	2						
68 12183	Pin (distributor weight pivot)				2	2				2	2	2	2	2	2
68 12185	Disc (distributor cam retard)-replaced by 11A-12185									1	1				
11A 12185	Disc (distributor cam retard)											1	1	1	
1GA 12185	Disc (distributor cam retard)				1	1									
18 12187	Shaft, cam & weights assy (distributor)						1								
40 12187-A	Shaft, cam & weights assy (distributor)-service details							1	1						
68 12187	Shaft, cam & weights assy (distributor)-replaced by 11A-12187									1	1				
9N 12187	Shaft, cam & weights assy (distributor)			1											
11A 12187	Shaft, cam & weights assy (distributor)-replaced by 11A-12175 & 11A-12176												1		
21A 12187	Shaft, cam & weights assy (distributor)													1	1
40 12188-A	Weight assy (distributor)							2							
40 12188-B	Weight assy (distributor)						2	2							
68 12188	Weight assy (distributor)-replaced by 11A-12188									2	2				
11A 12188	Weight assy (distributor)				2	2							2	2	2
	351250-S Washer-plain (distributor weight rivet) -.25" x .49"						2	2	2						
B 12190	Spring (distributor breaker plate friction)		1												
7RA 12192	Spring (dist.primary weight)-located farthest from points						1								
B 12195	Sleeve (distributor cam shaft connector)	1	1												
	61489-S Pin (distributor camshaft connector sleeve)-1/8" x 13/16"	1	1												
7HA 12195	Collar (distributor shaft)						1								
	61489-S Pin (distributor shaft collar)-1/8" x 13/16"						1								
40 12196	Bracket (distributor contact point)-RH							1	1	1					
40 12197	Bracket (distributor contact point)-LH							1	1	1					
A 12199	Point set (distributor breaker arm & contact)-consists of 1 A-12162 Breaker arm 1 B-12172 Contact point	1													
B 12199	Point set (distributor breaker arm & contact)-consists of 1 B-12162 Breaker arm 1 B-12172 Contact point		1												
B 12200	Rotor assy (distributor)	1	1												
9N 12200	Rotor assy (distributor)			1											
1GA 12200	Rotor assy (distributor)				1	1									
21A 12200	Rotor assy (distributor)													1	
59A 12200	Rotor assy (distributor)-replaced by 7RA-12200														1
7RA 12200	Rotor assy (distributor)						1								
48 12201	Rotor assy (distributor)							1	1	1					
68 12201	Rotor assy (distributor)									1	1	1			
68 12207	Retainer (distributor retard disc)				1	1				1	1	1	1	1	1
68 12208	Eccentric (distributor contact bracket)									2	2	2			
1GA 12208	Eccentric (distributor contact bracket)				2	2								2	2
B 12210	Cam assy (distributor)	1	1												

† No Longer Supplied



CHASSIS PARTS CATALOGUE

DISTRIBUTOR CHART

PART NUMBER	PART NAME	DISTRIBUTOR													
		A-12127	B-12127	9N-12100	1GA-12127	5GA-12127	7HA-12127	18-12127	40-12127-A	40-12127-B	60-12127	78-12127	11A-12127	21A-12127	59A-12127
48 12210	Cam assy (distributor)							1	1	1					
68 12210-A	Cam assy (distributor)										1	1	1	1	1
1GA 12210	Cam assy (distributor)				1	1									
	7HA-12175 Cam & shaft assy (distributor)	Refer to 7HA 12175													
B 12211	Screw (distributor cam)	1	1												
	351356-S Lockwasher (distributor cam screw)-5/16"	1	1												
	351242-S7 Washer(dist.cam screw thrust) -21/64"	1	1												
91A 12212	Retainer (distributor cam shaft weight)			1											
7RA 12213-B	Retainer (distributor rotor)						1								
21A 12214	Insulator (distributor primary bracket)				1	1							1	1	
2GA 12215	Conductor (distributor breaker)				1	1									
7HA 12216-B	Wire assy (distributor primary terminal)						1								
	350032-S Screw (distributor primary terminal)- No.10-32 x .84"						1								
	350860-S Nut (distributor primary terminal screw)- No.10-32						1								
	34051-S7 Nut (distributor primary terminal screw)-No.6-32						1								
	351256-S7 Washer-flat (distributor primary terminal screw)-.19" x 3/8"						1								
	34803-S7 Lockwasher (distributor primary terminal screw)-No.10						1								
68 12218	Point & bracket assy (distributor contact)-RH										1	1	1	1	1
68 12219	Point & bracket assy (distributor contact)-LH			1	1	1					1	1	1	1	1
	355047-S7 Screw & washer assy (distributor contact point & bracket)-No.8-32 x 1 3/4"			2	2	2					4	4	4	4	4
	355047-S7 Screw & washer assy (distributor contact point & bracket)-No.8-32 x 1 3/4"			2	2	2					2	2	2		
	31036-S8 Screw (distributor contact point & bracket to breaker plate)-No.6- 32 x 5/16"			1	1	1					2	2	2	2	2
	34801-S7 Lockwasher (distributor contact point & bkt.to breaker plate screw)-No.6			1	1	1					2	2	2	2	2
	351192-S Washer-flat (distributor contact point & bracket to breaker plate screw)- 9/64"-brass			1	1	1					2	2	2	2	2
18 12220	Plunger assy (distributor vacuum brake)				1	1		1	1	1	1	1	1	1	1
18 12222	Shoe (distributor vacuum brake)				1	1		1	1	1	1	1	1	1	1
18 12223	Nut (distributor vacuum brake adjusting)							1							
18 12224	Nut (dist vacuum brake adjusting lock)							1							
18 12225-B	Spring (distributor vacuum brake)				1	1			1	1	1	1	1	1	1
7HA 12225	Spring (distributor diaphragm)-located nearest to points						1								
18 12226	Tube (distributor vacuum)							1							
40 12226-B	Tube (distributor vacuum)								1	1					
52 12226	Tube (distributor vacuum)-60 HP only											1			
11A 12226-B	Tube (distributor vacuum)-90 & 100 HP-21 1/2" long											1	1	1	
1GA 12226-B	Tube (distributor vacuum)-24" long				1	1									
21A 12226	Tube (distributor vacuum)-20 7/8" long													1	1
59A 12226	Tube (distributor vacuum)-3/16"-25 1/8" developed length- use with 59A-9518-replaced by 8C-2269-B														1
7HA 12226	Tube (distributor vacuum)-3/16"-44.31" developed length- replaced by 8C-2269-B							1							
	+91A-2244-A Clip (dist. vacuum tube to cylinder head)							1							
	24308-S7 Bolt (distributor vacuum tube clip to cylinder head)-1/4"-20 x 1/2"							1							
	34805-S8 Lockwasher (distributor vacuum tube clip to cylinder head bolt)-1/4"							1							
	351112-S Nut (distributor vacuum tube)-3/8"-24				2	2	2	2	2	2	2	2	2	2	2

† No Longer Supplied



CHASSIS PARTS CATALOGUE

DISTRIBUTOR CHART

PART NUMBER	PART NAME	DISTRIBUTOR												
		A-12127	B-12127	9N-12100	1GA-12127	8GA-12127	7HA-12127	1B-12127	40-12127-A	40-12127-B	68-12127	78-12127	11A-12127	21A-12127
40 12227	Adjustment assy (distributor vacuum brake)				1	1		1	1	1	1	1	1	1
	33923-S7 Nut (distributor vacuum brake adjustment lock)-5/16"-24				1	1		1	1	1	1	1	1	1
40 12228	Nut (distributor vacuum brake adjusting)				1	1		1	1	1	1	1	1	1
†40 12230	Screw (distributor contact point & screw locking)	Refer to 1B-12172-B												
68 12230	Screw (dist. point set to housing attaching)-replaced by 31037-S7 #8-32 x 5/16"	Refer to 7RA-12171												
63 12230	Screw (dist. contact point & bracket lock)-replaced by 31037-S7 #8-32 x 5/16"						1				2	2	2	
68 12230	Screw (distributor breaker ground wire to breaker arm)-replaced by 31037-S7 #8-32 x 5/16"						1							
	34802-S7 Lockwasher-No.8						1			2	2	2		
1GA 12230	Screw (distributor contact point & bracket lock)-No.8 - replaced by 355047-S7				2								4	
	34802-S7 Lockwasher-No.8				2								4	
68 12231	Screw (distributor contact point & bracket lock)-No.8 x 5/8"									2	2	2		
	34802-S7 Lockwasher-No.8									2	2	2		
1GA 12232	Terminal (distributor primary)				1	1							1	1
	350830-S Nut (distributor primary terminal)-No.8-32				1	1							1	1
	34052-S7 Nut (distributor primary terminal)-No.8-32					1								1
7RA 12233	Bushing (dist. primary terminal screw insulating)-outer						1							
7RA 12234	Washer (distributor primary terminal screw insulating)-inner						1							
†18 12238	Rivet (distributor contact point & bracket)-1/8" x 9/32" tubular								4	4				
21A 12244	Insulator (distributor primary bracket)				1	1							1	1
B 12249	Shaft (distributor coupling)	1	1											
1GA 12249	Cap (distributor primary terminal)				1	1							1	1
	21A 12257 Bracket (ignition coil mounting)	Refer to 1GA-12024												
	7RA-12264 Wire assy (distributor breaker ground)						1							
	355047-S7 Screw (dist breaker ground wire to housing) -#8-32 x 1 3/4"						1							
	7HA-12271-A Retainer (ignition wires)-at terminal housing						1							
	7HA-12273 Arm assy (distributor timing)-includes nut & bolt						1							
	31144-S7 Bolt (distributor timing arm clamping)-1/4"-20 x 1 1/4"						1							
	34095-S8 Nut (distributor timing arm clamping bolt)-1/4"-20						1							
	34805-S8 Lockwasher (distributor timing arm clamping bolt)-1/4"						1							
	24386-S8 Bolt (distributor timing arm set)-5/16"-18 x 1"						1							
	34941-S7 Lockwasher (distributor timing arm set bolt)-5/16"						1							
	44722-S8 Washer-flat (distributor timing arm set bolt)-5/16"						1							
	7RA-12370-B Diaphragm assy (distributor vacuum control)						1							
	43243-S8 Screw assy (distributor diaphragm to housing)-#8-32 x 3/4"						2							
	7RA-12388 Retainer (distributor vacuum control diaphragm rod)						1							
	7FA 6652 Gear (distributor driven)-iron						1							
	72432-S Pin (distributor driven gear to oil pump shaft)-1/8" x 13/16"						1							

† No Longer Supplied



CHASSIS PARTS CATALOGUE

PART NUMBER	PART NAME	NO. REQ'D	MODEL	YEAR 19__
18 12250	Resistor assy (ignition)	1	Pass,Comm,Trucks	32-48
		1	COE	32-47
01A 12250-A	Breaker assy (light wiring circuit)-with ignition resistor-replaced by 01A-12250-B	1	Pass,Comm,Trucks	33-40
		1	Sedan Delivery	33-41
01A 12250-B	Breaker assy (light wiring circuit)-with ignition resistor	1	Pass,Comm,Trucks	33-40
		1	Sedan Delivery	33-41
01A 12250-C	Breaker assy (light wiring circuit)-with ignition resistor	1	Pass,Comm,Trucks	33-40
		1	Sedan Delivery	33-41
11A 12250-A	Breaker assy (light wiring circuit)-with ignition resistor-replaced by 11A-12250-C	1	Pass,Comm,Trucks	41-46
		1	Sedan Delivery	42-46
11A 12250-B	Breaker assy (light wiring circuit)-with ignition resistor	1	Std. Pass	41-42
11A 12250-C	Breaker assy (light wiring circuit)-with ignition resistor	1	Pass,Comm,Trucks	41-46
		1	Sedan Delivery	42-46
		1	COE	41-47
11A 12250-D	Breaker assy (light wiring circuit)-with ignition resistor	1	Pass,Comm,Trucks	41-46
		1	Sedan Delivery	42-46
		1	COE	41-47
11TS 12250	Breaker assy (light wiring circuit)-with ignition resistor-for 12 volt system	1	Trucks (except COE & 122")	46-47
51A 12250-A	Breaker assy (top operating mechanism wiring circuit)-30 amp	1	Conv. Coupe & Sportsman coupe	46-48
	24742-S2 Screw (resistor & circuit breaker to dash)-No.8-32 x 1 3/4"	2	Pass,Comm,Trucks	32-37
	37611-S7 Screw (circuit breaker to instrument panel)-No.8-32 x 1/4"	1	Pass	38-48
		1	Comm,Trucks	38-47
	24726-S7 Screw (resistor & circuit breaker to dash)-No.8-32 x 1 1/2"	2	Pass	37-48
		2	Comm,Trucks	37-47
	24662-S Screw (resistor & circuit breaker to dash)-No.8-32 x 3/4"	2	COE	39
	34052-S7 Nut-No.8-32			
	34802-S7 Lockwasher-No.8			
	350830-S Nut (ignition coil wire to resistor)-No.8-32	1		
99W 12253	Insulator (ignition resistor & circuit breaker)	1	COE	40
01W 12253	Insulator (ignition resistor & circuit breaker)	1	COE	40-41
11W 12253	Insulator (ignition resistor & circuit breaker)	1	COE	41-46
21A 12257	Bracket (ignition coil to cylinder head mounting)		Refer to 1GA-12024	
51A 12258-A	Breaker assy (light wiring circuit)-consists of one 15 amp & one 30 amp circuit breaker	1	Pass	46-48
		1	Comm,Trucks (except COE)	46-47
	37611-S7 Screw (circuit breaker attaching)-No.8-32 x 1/4"	2		
	34079-S7 Nut (circuit breaker terminal)-No.10-32	4		
	34803-S7 Lockwasher-No.10			
18 12259-A	Wire set (spark plug)-consists of the following 2- 18 12113 Seal 2- 18 12284 Wire 2- 18 12283 Wire 2- 18 12286 Wire 2- 18 12287 Wire	1	Pass,Comm,Trucks (8 cyl) 90 HP	32-36
18 12259-B	Wire set (spark plug)-consists of the following 1-Wire assy 21.75" to 22.25" long 1-Wire assy 25.75" to 26.25" long 2-Wire assy 27.75" to 28.25" long 1-Wire assy 32.25" to 32.75" long 3-Wire assy 36.50" to 37.00" long	1	Pass 90 & 100 HP (8 cyl) Comm,Trucks 90 & 100 HP (8 cyl)	32-48 32-47



CHASSIS PARTS CATALOGUE

PART NUMBER	PART NAME	NO. REQ'D	MODEL	YEAR
74 12259	Wire set (spark plug)-consists of the following 2- 18 12113 Seal 2- 74 12283 Wire 2- 74 12284 Wire 2- 74 12286 Wire 2- 74 12287 Wire	1	Pass,Comm,Trucks (8 cyl) 60 HP	37-40
78 12259	Wire set (spark plug)-replaced by 18-12259-B consists of the following 2- 18 12113 Seal 2- 78 12283 Wire 2- 78 12284 Wire 2- 78 12286 Wire 2- 78 12287 Wire	1	Pass,Comm,Trucks (8 cyl) 90 & 100 HP	37-41
1GA 12259-A	Wire set (spark plug)-consists of the following 6- 9N 12113-A Seal 1-1GA 12282 Wire (No.5) 1-1GA 12283 Wire (No.2) 1-1GA 12284 Wire (No.3) 1-1GA 12285 Wire (No.6) 1-1GA 12286 Wire (No.1) 1-1GA 12287 Wire (No.4) 1-1GA 12298 Wire (coil)	1	Pass,Comm,Trucks (6 cyl) 90 HP	41-42
1GA 12259-B	Wire set (spark plug)-consists of the following 1-Wire assy 20.50" to 21.00" long 1-Wire assy 22.50" to 23.00" long 1-Wire assy 28.50" to 29.00" long 1-Wire assy 31.00" to 31.50" long 1-Wire assy 37.50" to 38.00" long 1-Wire assy 40.00" to 40.50" long	1	Pass,Comm,Trucks (6 cyl) "G" Series	41-47
21A 12259	Wire set (spark plug)-consists of the following 8- 9N 12113-A Seal 1-21A 12282 Wire (No.5) 1-21A 12283 Wire (No.2) 1-21A 12284 Wire (No.3) 1-21A 12285 Wire (No.6) 1-21A 12286 Wire (No.1) 1-21A 12287 Wire (No.4) 1-21A 12295 Wire (No.7) 1-21A 12296 Wire (No.8) 1-21A 12298 Wire (coil)	1	Pass,Comm,Trucks (8 cyl) 90 & 100 HP	42-44
59A 12259	Wire set (spark plug)-consists of the following 2-59A 12110 Conduit 1-59A 12113 Insulator-RH 1-59A 12282 Wire (No.5) 1-59A 12283 Wire (No.2) 1-59A 12284 Wire (No.3) 1-59A 12285 Wire (No.6) 1-59A 12286 Wire (No.1) 1-59A 12287 Wire (No.4) 1-59A 12295 Wire (No.7) 1-59A 12296 Wire (No.8) 1-59A 12297 Insulator-LH 1-59A 12298 Wire (coil) 1-9N 12113-A Seal	1 1	Pass (8 cyl) 90 & 100 HP Comm,Trucks (8 cyl) 90 & 100 HP	46-48 45-47
5GA 12259	Wire set (spark plug)-consists of 1-5GA 12113 Insulator 1- 9N 12113-A Seal 1-5GA 12282 Wire (No.5) 1-5GA 12283 Wire (No.2) 1-5GA 12284 Wire (No.3) 1-5GA 12285 Wire (No.6) 1-5GA 12286 Wire (No.1) 1-5GA 12287 Wire (No.4) 1-5GA 12298 Wire (coil)	1	Pass,Comm,Trucks (6 cyl) 90 HP "G" Series	46-47
7HA 12259	Wire set (spark plug)-consists of the following 1-7HA 12282-B Wire assy (dist. to spark plug)-No.5 1-7HA 12283-B Wire assy (dist. to spark plug)-No.2 1-7HA 12284-B Wire assy (dist. to spark plug)-No. 3 1-7HA 12285-B Wire assy (dist. to spark plug)-No.6 1-7HA 12286-B Wire assy (dist. to spark plug)-No.1 1-7HA 12287-B Wire assy (dist. to spark plug)-No.4 1-7HA 12298-B Wire assy (coil to dist. high tension) 6- 2N 12113 Seal (dist. to spark plug wire weather) 2- 2N 12113 Seal (dist. to coil high tension wire weather)	1 1	Pass (6 cyl)"H" Series) Comm,Trucks (6 cyl)"H" Series)	47-48 47
APA 12259-A	Wire set (spark plug)-consists of the following 10-18 12283 Wire assy Nos. 2 & 6 10-18 12286 Wire assy Nos. 3 & 7 10-18 12286 Wire assy Nos. 1 & 5 10-18 12287 Wire assy Nos. 4 & 8	1	Pass,Comm,Trucks (8 cyl)	32-36



CHASSIS PARTS CATALOGUE

PART NUMBER	PART NAME	NO. REQ'D	MODEL	YEAR
				19
51T 12260	Resistor assy (ignition)-for 12 volt system	1	Trucks (except COE)	47
59A 12260	Resistor assy (ignition)	1	Pass	46-48
		1	Comm, Trucks (except COE)	46-47
	24662-S Screw (ignition resistor attaching)-No.8-32 x 3/4"	2		
	34052-S7 Nut (ignition resistor)-No.8-32	2		
	34802-S2 Lockwasher-No.8			
7RA 12264	Wire assy (distributor breaker ground)	1	Pass (6 cyl "H" Series)	47-48
		1	Comm, Trucks (6 cyl "H" Series) Refer to 12127 Distributor Chart	47
7BA 12271-A	Retainer (ignition wire)-at terminal housing	1	Pass (6 cyl "H" Series)	47-48
		1	Comm, Trucks (6 cyl "H" Series) Refer to 12127 Distributor Chart	47
7BA 12273	Arm assy (distributor timing)	1	Pass (6 cyl "H" Series)	47-48
		1	Comm, Trucks (6 cyl "H" Series) Refer to 12127 Distributor Chart	47
†B 12275	Connector (distributor to spark plug)	4	Pass, Comm, Trucks (4 cyl)	28-34
74 12280	Wiring & conduit assy (distributor to spark plug)-R.H.	1	Pass, Comm, Trucks 60 HP (8 cyl)	37-40
78 12280	Wiring & conduit assy (distributor to spark plug)-R.H.	1	Pass, Comm, Trucks 90 & 100 HP (8 cyl)	32-41
1GA 12280	Wiring & conduit assy (distributor to spark plug)-R.H.	1	Pass, Comm, Trucks 90 HP (6 cyl)	41-42
	24346-S7 Bolt (wiring conduit to cylinder head)-5/16"-18 x 3/4"	2	Pass, Comm, Trucks 90 HP (6 cyl)	41-47
21A 12280-B	Wiring & conduit assy (distributor to spark plug)-R.H.	1	Pass, Comm, Trucks 90 & 100 HP (8 cyl)	42-44
59A 12280	Wiring & conduit assy (distributor to spark plug)-R.H.	1	Pass (8 cyl)	46-48
		1	Comm, Trucks (8 cyl)	45-47
18 12281	Wiring & conduit assy (distributor to spark plug)-L.H.-also to instrument panel, light switch, starter switch, coil, ignition switch & generator	1	Pass, Comm, Trucks (8 cyl)	32
40 12281-A	Wiring & conduit assy (distributor to spark plug)-L.H.-also to instrument panel, light switch, starter switch, coil, ignition switch & generator-use with ammeter having screw type terminals	1	Pass, Comm, Trucks (8 cyl)	33
40 12281-B	Wiring & conduit assy (distributor to spark plug)-L.H.-also to instrument panel, light switch, starter switch, coil, ignition switch & generator-use with ammeter having snap terminals	1	Pass, Comm, Trucks (8 cyl)	33-34
68 12281	Wiring & conduit assy (distributor to spark plug)-L.H.-also to instrument panel, light switch, starter switch, coil, ignition switch & generator	1	Pass, Comm, Trucks (8 cyl)	35-36
74 12281	Wiring & conduit assy (distributor to spark plug)-L.H.-also to instrument panel, light switch, starter solenoid, coil, ignition switch & generator	1	Pass, Comm, Trucks 60 HP (8 cyl)	37
78 12281	Wiring & conduit assy (distributor to spark plug)-L.H.-also to instrument panel, light switch, starter solenoid, coil, ignition switch & generator	1	Pass, Comm, Trucks 90 HP (8 cyl)	37
81A 12281	Wiring & conduit assy (distributor to spark plug)-L.H.-also to fuse block, generator & coil	1	Pass, Comm, Trucks 90 HP (8 cyl)-except COE	38
81W 12281	Wiring & conduit assy (distributor to spark plug)-L.H.-also to fuse block generator & coil	1	COE	38
82A 12281	Wiring & conduit assy (distributor to spark plug)-L.H.-also to fuse block, generator & coil	1	Pass, Comm, Trucks 60 HP (8 cyl)	38

† No Longer Supplied



CHASSIS PARTS CATALOGUE

PART NUMBER	PART NAME	NO. REQ'D	MODEL	YEAR
				19__
91A 12281-A	Wiring & conduit assy (distributor to spark plug)- L.H.	1	Pass,Comm,Trucks 90 & 100 HP (8 cyl)	39-41
922A 12281	Wiring & conduit assy (distributor to spark plug)- L.H.	1	Pass,Comm,Trucks 60 HP (8 cyl)	39-40
1NC 12281	Wiring & conduit assy (distributor to spark plug)	1	Comm,Trucks 40 HP (4 cyl)	41-42
	40-6066 Stud (distributor to coil wiring conduit to cylinder head)		Refer to 6050 Group	
21A 12281	Wiring & conduit assy (distributor to spark plug)- L.H.	1	Pass,Comm,Trucks (8 cyl)	42-44
59A 12281	Wiring & conduit assy (distributor to spark plug)- L.H.	1	Pass (8 cyl)	45-48
		1	Comm,Trucks (8 cyl)	45-47
1GA 12282	Wire assy (spark plug)-No.5	1	Pass,Comm,Trucks (6 cyl)	41-42
21A 12282	Wire assy (spark plug)-No.5-28.00" long	1	Pass,Comm,Trucks 90 & 100 HP (8 cyl)	42-44
59A 12282	Wire assy (spark plug)-No.5	1	Pass (8 cyl)	45-48
		1	Comm,Trucks (8 cyl)	45-47
5GA 12282	Wire assy (spark plug)-No.5-36.50" long	1	Pass,Comm,Trucks (6 cyl"G" Series)	46-47
7HA 12282	Wire assy (spark plug)-No.5-20.00" long	1	Pass (6 cyl"H" Series)	47-48
		1	Trucks (6 cyl"H" Series)	47
18 12283	Wire assy (spark plug)-Nos. 2 & 6	2	Pass,Comm,Trucks (8 cyl)	32-36
74 12283	Wire assy (spark plug)-Nos. 2 & 6-22.75" long	2	Pass,Comm,Trucks 60 HP (8 cyl)	37-40
78 12283	Wire assy (spark plug)-Nos. 2 & 6	2	Pass,Comm,Trucks 90 & 100 HP (8 cyl)	37-41
†9N 12283	Wire assy (spark plug)-No.3	1	Comm,Trucks 40 HP (4 cyl)	41-42
1GA 12283	Wire assy (spark plug)-No.2	1	Pass,Comm,Trucks (6 cyl)	41-42
21A 12283	Wire assy (spark plug)-No.2-25.50" long	1	Pass,Comm,Trucks 90 & 100 HP (8 cyl)	42-44
59A 12283	Wire assy (spark plug)-No.2-26.00" long	1	Pass (8 cyl)	46-48
		1	Comm,Trucks (8 cyl)	45-47
5GA 12283	Wire assy (spark plug)-No.2-23.25" long	1	Pass,Comm,Trucks (6 cyl"G" Series)	46-47
7HA 12283	Wire assy (spark plug)-No.2-21.00" long	1	Pass (6 cyl"H" Series)	47-48
		1	Trucks (6 cyl"H" Series)	47
18 12284	Wire assy (spark plug)-Nos. 3 & 7	2	Pass,Comm,Trucks (8 cyl)	32-36
74 12284	Wire assy (spark plug)-Nos. 3 & 7-27.75" long	2	Pass,Comm,Trucks 60 HP (8 cyl)	37-40
78 12284	Wire assy (spark plug)-Nos. 3 & 7-30.50" long	2	Pass,Comm,Trucks 90 & 100 HP (8 cyl)	37-41
†9N 12284	Wire assy (spark plug)-No.2	1	Comm,Trucks	41-42
1GA 12284	Wire assy (spark plug)-No.3	1	Pass,Comm,Trucks (6 cyl)	41-42
21A 12284	Wire assy (spark plug)-No.3-37.00" long	1	Pass,Comm,Trucks 90 & 100 HP (8 cyl)	42-44
59A 12284	Wire assy (spark plug)-No.3-34.00" long	1	Pass (8 cyl)	46-48
		1	Comm,Trucks (8 cyl)	45-47
5GA 12284	Wire assy (spark plug)-No.3-28.75" long	1	Pass,Comm,Trucks (6 cyl"G" Series)	46-47
7HA 12284	Wire assy (spark plug)-No.3-18.50" long	1	Pass (6 cyl"H" Series)	47-48
		1	Trucks (6 cyl"H" Series)	47
1GA 12285	Wire assy (spark plug)-No.6	1	Pass,Comm,Trucks (6 cyl)	41-42
21A 12285	Wire assy (spark plug)-No.6-27.00" long	1	Pass,Comm,Trucks 90 & 100 HP (8 cyl)	42-44
59A 12285	Wire assy (spark plug)-No.6-27.50" long	1	Pass (8 cyl)	45-48
		1	Comm,Trucks (8 cyl)	45-47
5GA 12285	Wire assy (spark plug)-No.6-39.75" long	1	Pass,Comm,Trucks (6 cyl"G" Series)	46-47
7HA 12285	Wire assy (spark plug)-No.6-25.75" long	1	Pass (6 cyl"H" Series)	47-48
		1	Trucks (6 cyl"H" Series)	47
18 12286	Wire assy (spark plug)-Nos. 1 & 5	2	Pass,Comm,Trucks (8 cyl)	32-36
74 12286	Wire assy (spark plug)-Nos. 1 & 5-21.00" long	2	Pass,Comm,Trucks 60 HP (8 cyl)	37-40
78 12286	Wire assy (spark plug)-Nos. 1 & 5-22.50" long	2	Pass,Comm,Trucks 90 & 100 HP (8 cyl)	37-41
†9N 12286	Wire assy (spark plug)-No.4	1	Comm,Trucks 40 HP (4 cyl)	41-42
1GA 12286	Wire assy (spark plug)-No.1	1	Pass,Comm,Trucks (6 cyl)	41-42
21A 12286	Wire assy (spark plug)-No.1-21.50" long	1	Pass,Comm,Trucks 90 & 100 HP (8 cyl)	42-44
59A 12286	Wire assy (spark plug)-No.1-22.00" long	1	Pass (8 cyl)	46-48
		1	Comm,Trucks (8 cyl)	45-47
5GA 12286	Wire assy (spark plug)-No.1-18.50" long	1	Pass,Comm,Trucks (6 cyl"G" Series)	46-47
7HA 12286	Wire assy (spark plug)-No.1-22.00" long	1	Pass (6 cyl"H" Series)	47-48
		1	Trucks (6 cyl"H" Series)	47

† No Longer Supplied



CHASSIS PARTS CATALOGUE

PART NUMBER	PART NAME	NO. REQ'D	MODEL	YEAR
				19__
18 12287	Wire assy (spark plug)-Nos. 4 & 8	2	Pass,Comm,Trucks (8 cyl)	32-36
74 12287	Wire assy (spark plug)-Nos: 4 & 8-30.50" long	2	Pass,Comm,Trucks 60 HP (8 cyl)	37-40
78 12287	Wire assy (spark plug)-Nos. 4 & 8-35.50" long	2	Pass,Comm,Trucks 90 & 100 HP (8 cyl)	37-41
+9N 12287	Wire assy (spark plug)-No.1	1	Comm,Trucks 40 HP (4 cyl)	41-42
1GA 12287	Wire assy (spark plug)-No.4	1	Pass,Comm,Trucks (6 cyl"G" Series)	41-42
21A 12287	Wire assy (spark plug)-No.4-36.50" long	1	Pass,Comm,Trucks 90 & 100 HP (8 cyl)	42-44
59A 12287	Wire assy (spark plug)-No.4-36.75" long	1	Pass (8 cyl)	46-48
		1	Comm,Trucks (8 cyl)	45-47
5GA 12287	Wire assy (spark plug)-No.4-31.00" long	1	Pass,Comm,Trucks (6 cyl"G" Series)	46-47
7HA 12287	Wire assy (spark plug)-No.4-17.75" long	1	Pass (6 cyl"H" Series)	47-48
		1	Trucks (6 cyl"H" Series)	47
21A 12288	Clip (cross over conduit)	2	Pass,Comm,Trucks 90 & 100 HP (8 cyl)	42-44
5GA 12290	Wiring, conduit & terminal housing assy (distributor to spark plug)	1	Pass,Comm,Trucks (6 cyl"G" Series)	46-47
+51T 12292	Spacer (ignition resistor to coil)-for 12 volt system	1	Trucks (except COE)	47
21A 12295	Wire assy (spark plug)-No.7-30.00" long	1	Pass,Comm,Trucks 90 & 100 HP (8 cyl)	42-44
59A 12295	Wire assy (spark plug)-No.7-32.50" long	1	Pass (8 cyl)	46-48
		1	Comm,Trucks (8 cyl)	45-47
21A 12296	Wire assy (spark plug)-No.8-36.50" long	1	Pass,Comm,Trucks 90 & 100 HP (8 cyl)	42-44
59A 12296	Wire assy (spark plug)-No.8-36.75" long	1	Pass (8 cyl)	46-48
		1	Comm,Trucks (8 cyl)	45-47
59A 12297	Seal (distributor to spark plug wire conduit weather)-L.H.	1	Pass (8 cyl)	46-48
		1	Comm,Trucks (8 cyl)	45-47
7HA 12297	Grommet (ignition cable)-thru ignition coil mounting strap	2	Pass (6 cyl"H" Series)	47-48
		2	Trucks (6 cyl"H" Series)	47
1GA 12298	Wiring assy (ignition coil to distributor high tension)-14" long	1	Pass,Comm,Trucks (6 cyl)	41
21A 12298	Wiring assy (ignition coil to distributor high tension)-11" long	1	Pass,Comm,Trucks 90 & 100 HP (8 cyl)	42-44
2GA 12298	Wiring assy (ignition coil to distributor high tension)-13" long	1	Pass,Comm,Trucks (6 cyl)	42
59A 12298	Wiring assy (ignition coil to distributor high tension)-14.5" long	1	Pass (8 cyl)	46-48
		1	Comm,Trucks (8 cyl)	45-47
5GA 12298	Wiring assy (ignition coil to distributor high tension)-16.50" long	1	Pass,Comm,Trucks (6 cyl"G" Series)	46-47
7HA 12298-B	Wiring assy (ignition coil to distributor high tension)-13.00" long	1	Pass (6 cyl"H" Series)	47-48
		1	Trucks (6 cyl"H" Series)	47
2GA 12299	Shield (distributor to spark plug wiring & conduit)	1	Pass,Comm,Trucks (6 cyl"G" Series)	42-47
A 12300	Condenser assy (distributor)-use with A-12127	1	Pass,Comm,Trucks	28-31
	26457-S7 Screw (condenser ground connection)-No.8-32 x 1/4"	1	Pass,Comm,Trucks	28-31
	+27053-S5 Screw (condenser to distributor body)-No.10-32 x 3/16"	1	Pass,Comm,Trucks	28-31
	34802-S7 Lockwasher (condenser ground connection)-No.8	1	Pass,Comm,Trucks	28-31
B 12300	Condenser assy (distributor)-use with B-12127	1	Pass,Comm,Trucks (4 cyl)	32-34
	37611-S7 Screw (condenser to distributor)-No.8-32 x 1/4"	1	Pass,Comm,Trucks (4 cyl)	32-34
	34802-S7 Lockwasher-No.8			
	31596-S7 Screw (condenser wire to distributor housing)- No.10-32 x 3/8"	1	Pass,Comm,Trucks (4 cyl)	32-34
	34803-S7 Lockwasher-No.10			
18 12300-B	Condenser assy (ignition coil)-use with 18-12024-A	1	Pass,Comm,Trucks (8 cyl)	32-36
68 12300	Condenser assy (ignition coil)-use with 68-12024	1	Pass,Comm,Trucks (8 cyl)	36
78 12300	Condenser assy (ignition coil)-use with 78-12036	1	Pass,Comm,Trucks (8 cyl)	37-41

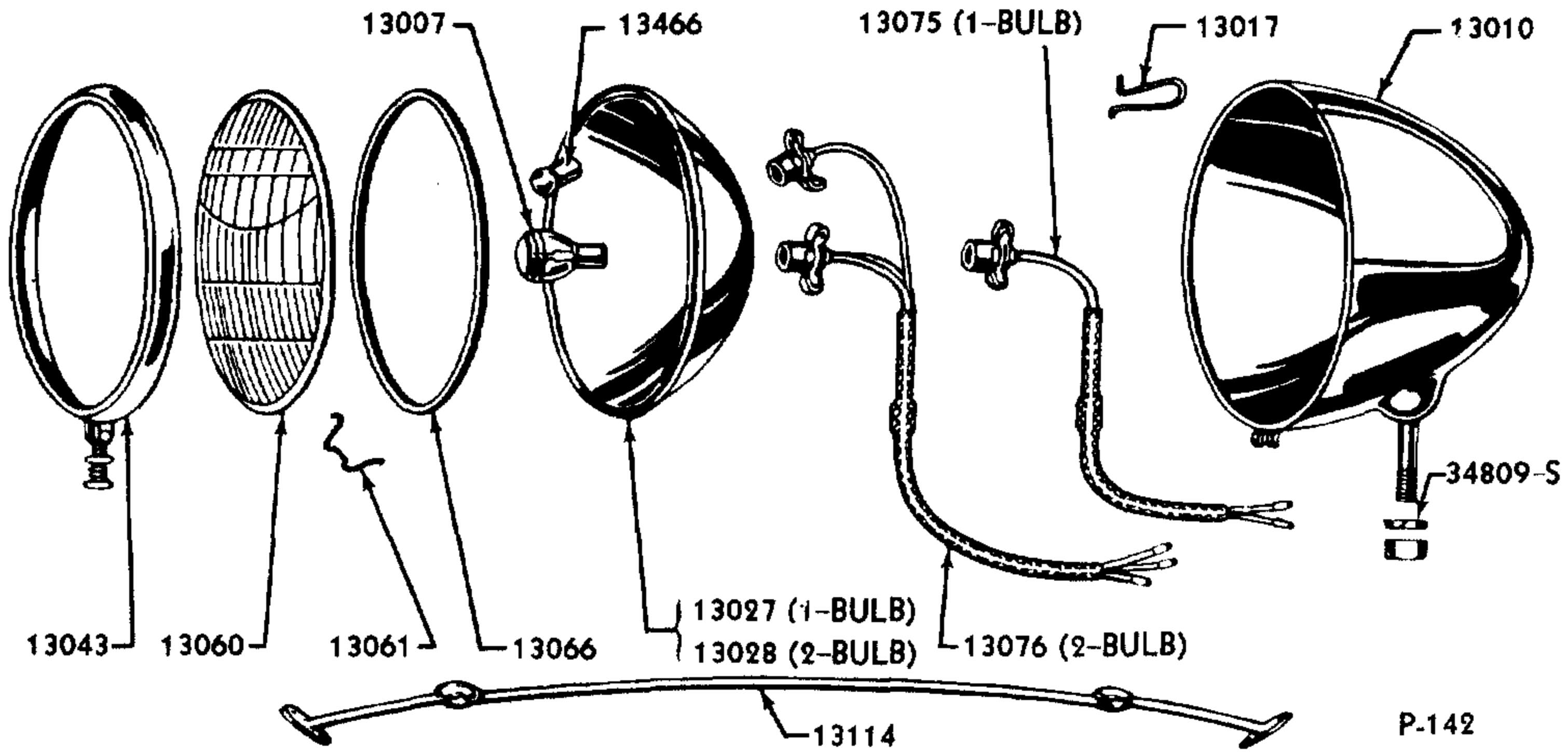
† No Longer Supplied



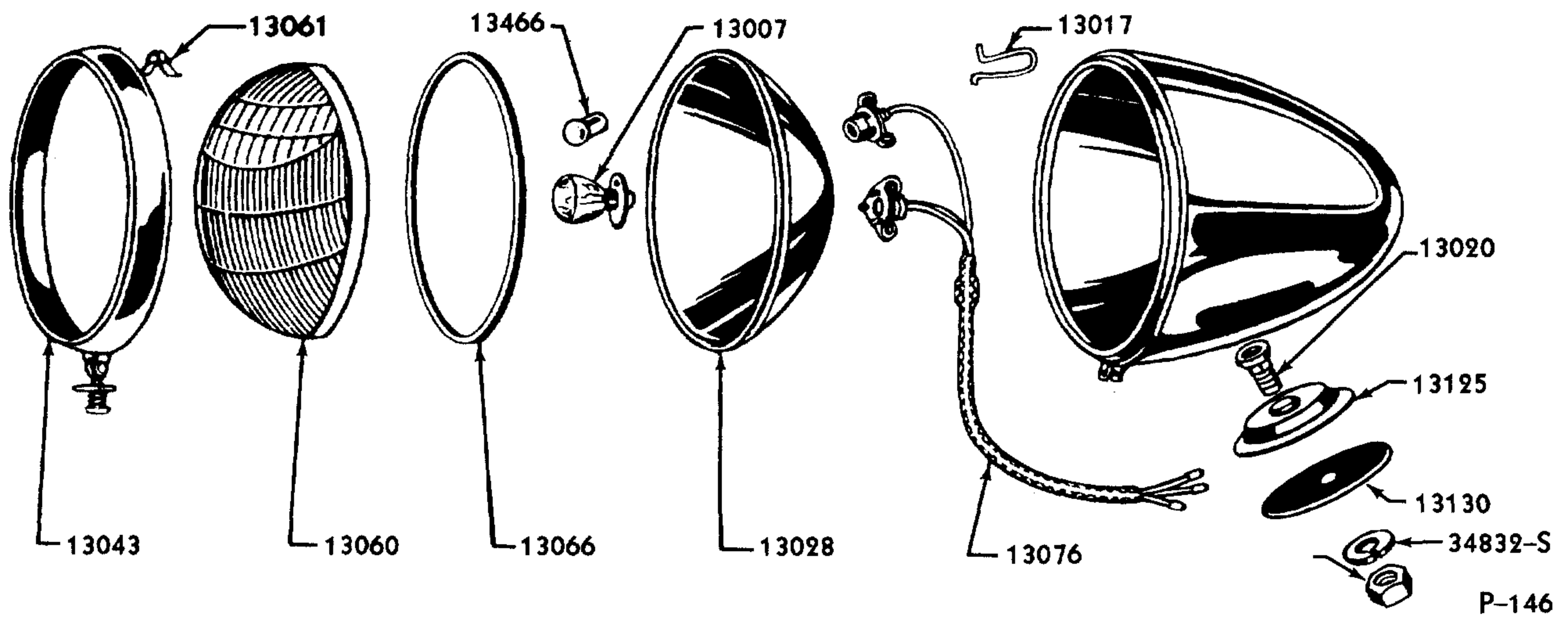
CHASSIS PARTS CATALOGUE

PART NUMBER	PART NAME	NO. REQ'D	MODEL	YEAR
				19__
81A 12300	Condenser assy (ignition coil)-use with 81A-12036	1	Pass,Comm,Trucks (8 cyl)	37-41
	31628-S7 Screw (condenser to coil attaching)-No.10-32 x 5/8"	1	Pass,Comm,Trucks (8 cyl)	32-36
	355150-S7 Screw (condenser to coil attaching)-No.10-32 x 19/64"	1	Pass,Comm,Trucks (8 cyl)	37-41
	34803-S7 Lockwasher-No.10			
91A 12300	Condenser assy (distributor)-use with 9N-12100	1	Comm,Trucks 40 HP (4 cyl)	41-42
	37611-S7 Screw (condenser to distributor attaching)-No.8-32 x 1/4"	1	Comm,Trucks (4 cyl)	41-42
	34802-S7 Lockwasher-No.8			
1GA 12300-B	Condenser assy (distributor)-use with 1GA or 5GA-12127	1	Pass,Comm,Trucks (6 cyl "G" Series)	41-47
1GA 12300-B	Condenser assy (distributor)-use with 21A or 59A-12127	1	Pass (8 cyl)	42-48
		1	Comm,Trucks (8 cyl)	42-47
	31037-S7 Screw (condenser to distributor attaching)-No.8-32 x 5/16"	1	Pass (8 cyl)	42-47
		1	Comm,Trucks (8 cyl)	42-47
7RA 12300-B	Condenser assy (distributor)-use with 7HA-12127	1	Pass (6 cyl "H" Series)	47-48
		1	Trucks (6 cyl "H" Series)	47
	355047-S7 Screw (condenser to distributor breaker plate)-No.8-32 x 1 3/4"	1	Pass (6 cyl "H" Series)	47-48
		1	Trucks (6 cyl "H" Series)	47
1GA 12312	Cap (distributor condenser)	1	Pass,Comm,Trucks (6 cyl "G" Series)	41-47
		1	Pass (8 cyl)	42-48
		1	Comm,Trucks (8 cyl)	42-47
7RA 12370-B	Diaphragm assy (distributor vacuum control)	1	Pass (6 cyl "H" Series)	47-48
		1	Comm,Trucks (6 cyl "H" Series)	47
			Refer to 12127 Distributor Chart	
7RA 12388	Retainer (distributor vacuum control diaphragm rod)	1	Pass (6 cyl "H" Series)	47-48
		1	Comm,Trucks (6 cyl "H" Series)	47
			Refer to 12127 Distributor Chart	
18 12405-B	Spark plug-7/8" -C4	4	Pass,Comm,Trucks (4 cyl)	28-34
		8	Pass,Comm,Trucks (8 cyl)	32
40 12405-A	Spark plug-18mm-C7	8	Pass,Comm,Trucks (8 cyl)	33
40 12405-C	Spark plug-18mm-No.7	8	Pass,Comm,Trucks (8 cyl)	34-37
48 12405-A	Spark plug-18mm-No.6	8	Trucks (8 cyl)	35-36
01T 12405	Spark plug-14mm-H ⁹ comm. .025"/.028" gap setting	8	Comm,Trucks 60 HP (8 cyl)	37-40
		8	Comm,Trucks 90 & 100 HP (8 cyl)	38-47
		6	Comm,Trucks (6 cyl)	41-47
		4	Comm,Trucks (4 cyl)	41-42
7RA 12405	Spark plug-14mm-H10-change gap setting from .029"/.032" to .025"/.028"	8	Pass 60 HP (8 cyl)	37-40
		8	Pass 90 & 100 HP (8 cyl)	38-48
		6	Pass (6 cyl "G" Series)	41-47
7RA 12405	Spark plug-14mm-H10-gap setting .029"/.032"	6	Pass (6 cyl "H" Series)	47-48
†78 12409	Nut (spark plug terminal)	4	Pass,Comm,Trucks (4 cyl)	28-34
		8	Pass,Comm,Trucks (8 cyl)	28-48
		6	Pass,Comm,Trucks (6 cyl)	41-48
		4	Comm,Trucks (4 cyl)	41-42
B 12410	Gasket (oil pan drain plug)-7/8"	1	Pass,Comm,Trucks (8 cyl)	32
			Refer to 18-6730	
B 12410	Gasket (dual high front housing filler & drain plug)-7/8"	2	Trucks	28-29
			Refer to 483 Dual High Group	
B 12410	Gasket (spark plug)-7/8" diam. use with 18-12405-B	4	Pass,Comm,Trucks (4 cyl)	28-34
		8	Pass,Comm,Trucks (8 cyl)	32
40 12410	Gasket (spark plug)-use with 18mm spark plug	8	Pass,Comm,Trucks (8 cyl)	33-36
01A 12410-A	Gasket (spark plug)-use with 14mm spark plug	4	Comm,Trucks (4 cyl)	41-42
		6	Pass (6 cyl)	41-48
		6	Comm,Trucks (6 cyl)	41-47
		8	Pass (8 cyl)	37-48
		8	Comm,Trucks (8 cyl)	37-47

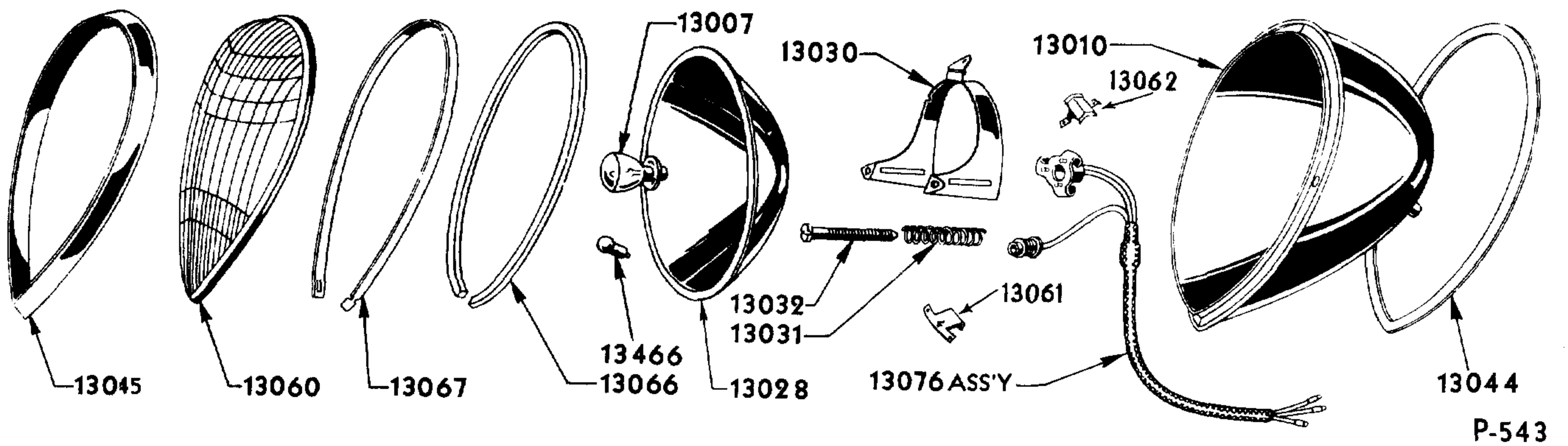
† No Longer Supplied



1932 PASSENGER HEADLAMP

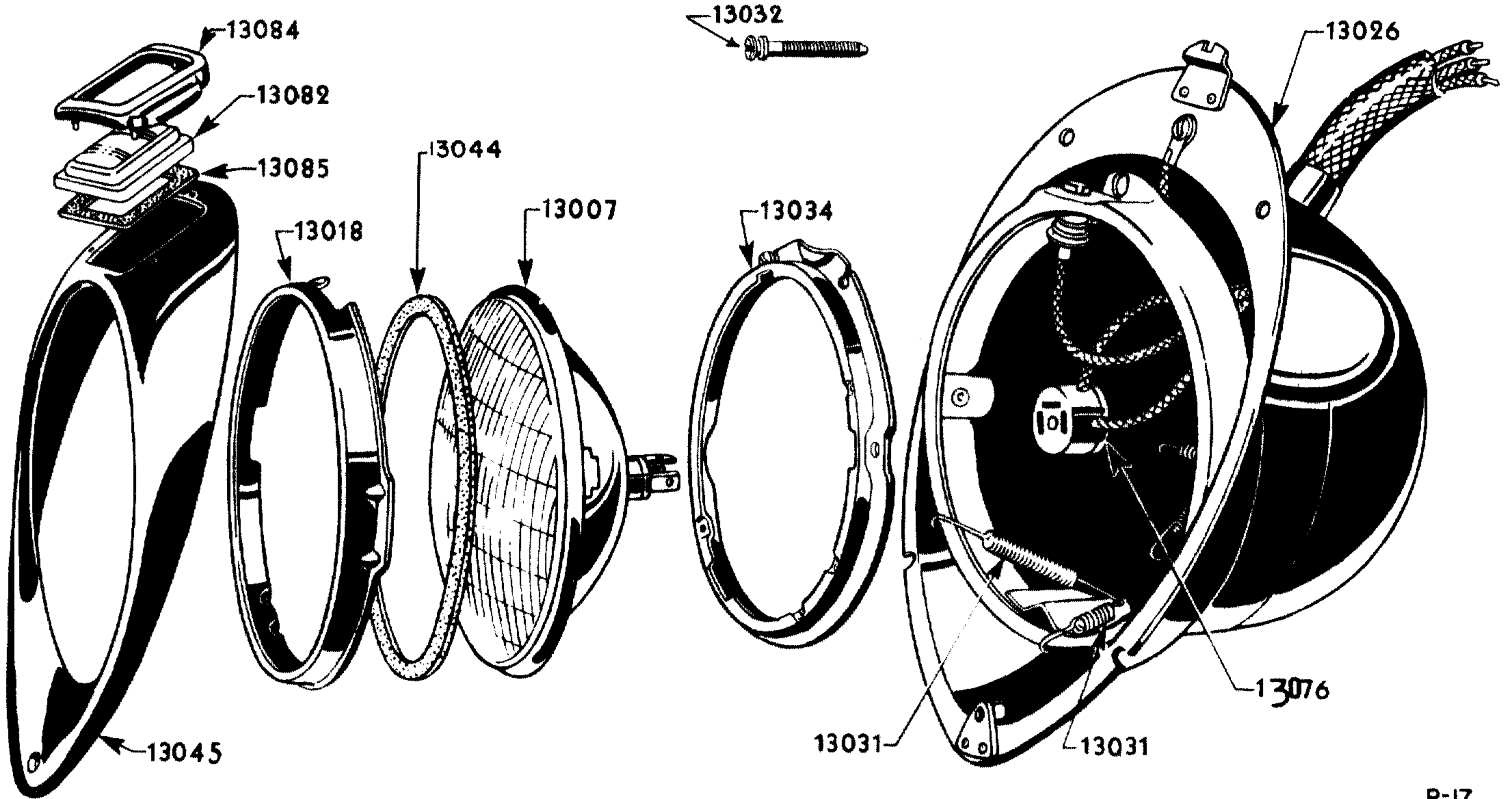


1936 PASSENGER HEADLAMP



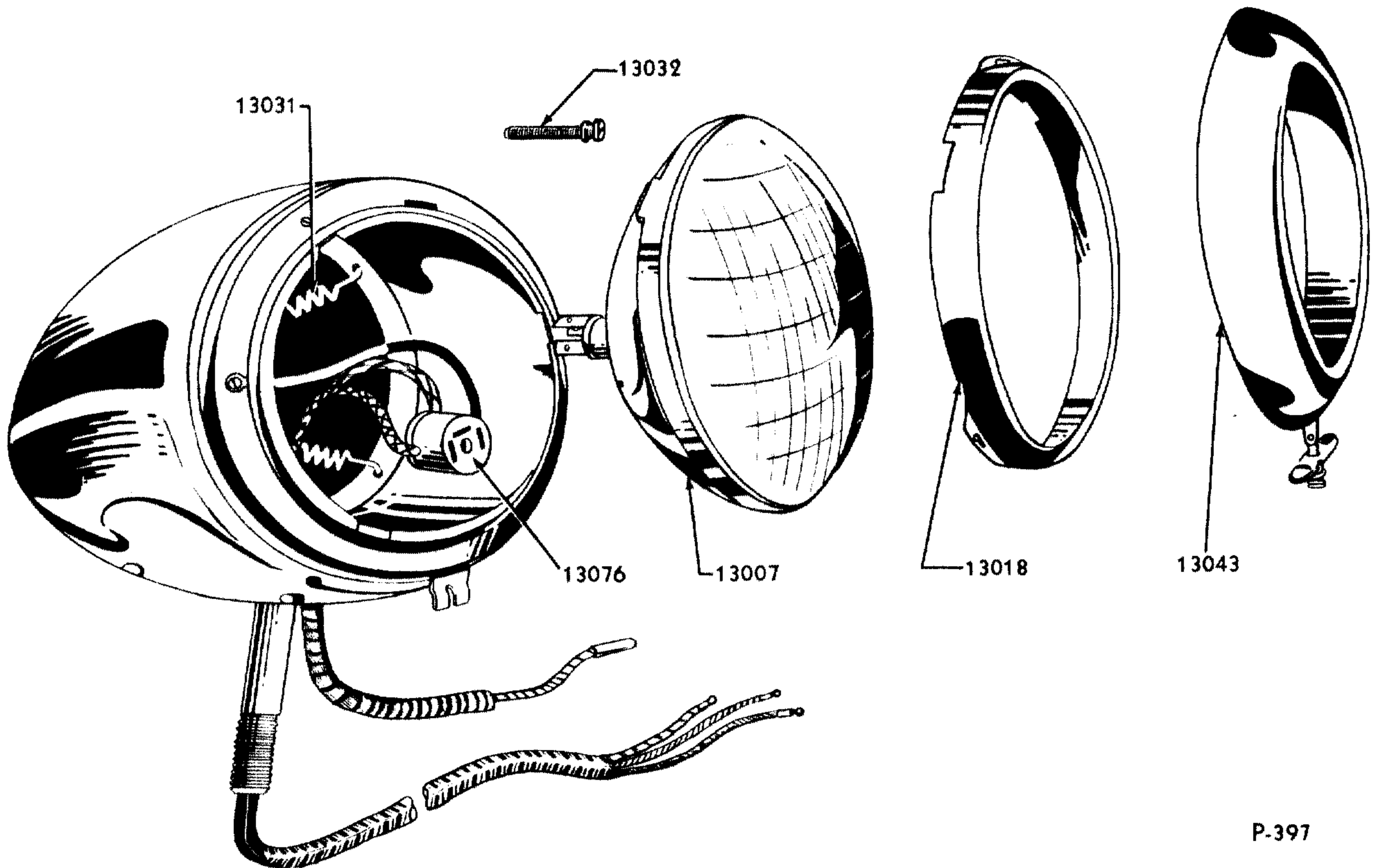
1937-39 PASSENGER & COMMERCIAL HEADLAMP

Basic numbers only shown on illustration. Order by Part Numbers shown in list of parts.



P-17

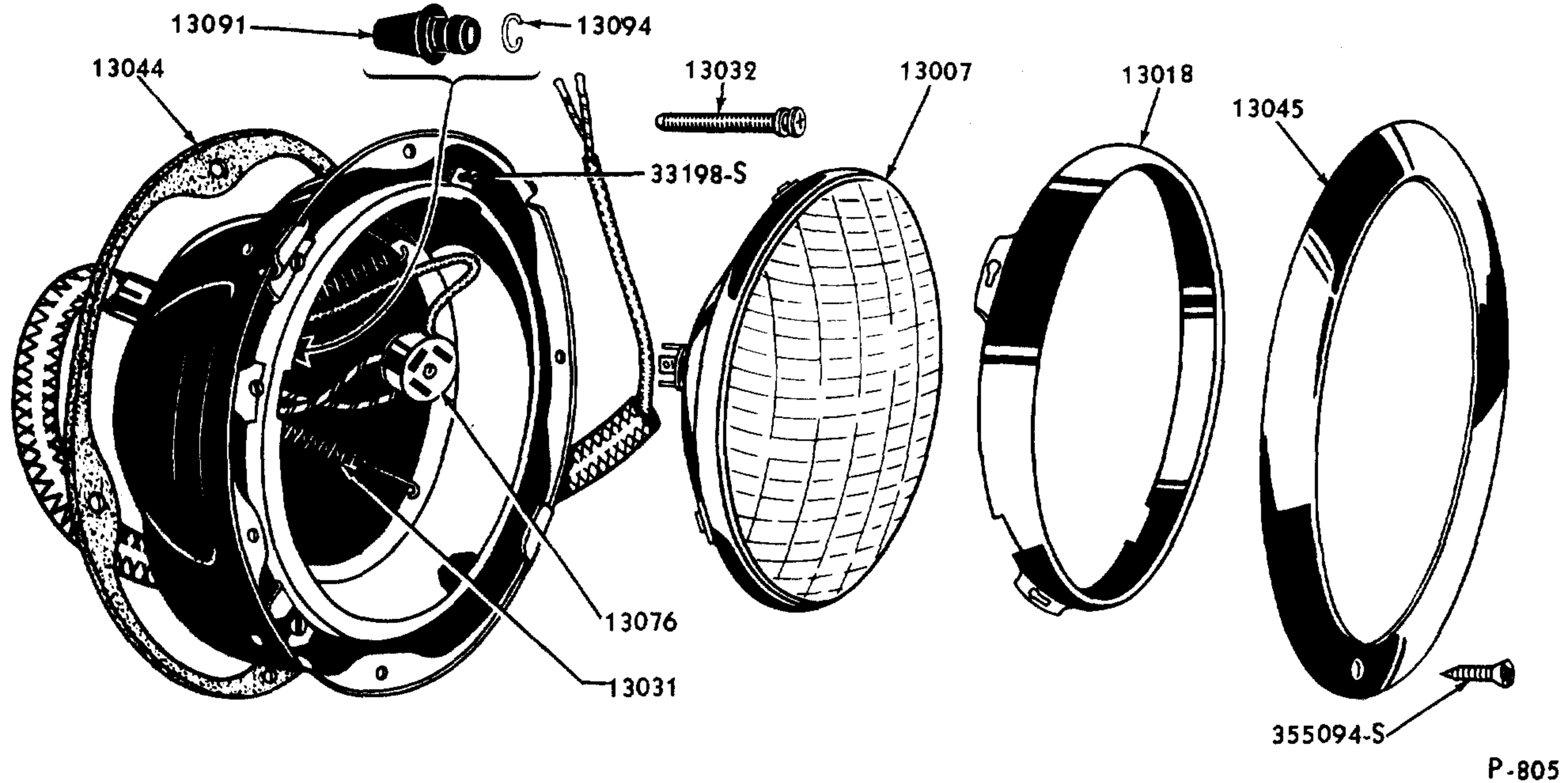
1940 PASSENGER & COMMERCIAL HEADLAMP



P-397

1941 TRUCK & 1941-47 C.O.E. HEADLAMP

Basic numbers only shown on illustration. Order by Part Numbers shown in list of parts.



1941-48 PASSENGER & COMMERCIAL & 1942-47 TRUCK HEADLAMP

Basic numbers only shown on illustration. Order by Part Numbers shown in list of parts.

PART NUMBER	PART NAME	NO. REQ'D	MODEL	YEAR 19__
Headlamp				
01A 13002	Headlamp assy-less bulb & gasket	2	(Pass 1940)(Comm 1940-41)	40-41
01T 13002	Headlamp assy-less bulb & gasket	2	Trucks	40
11T 13002-A	Headlamp assy-less bulb & gasket	2	(Trucks 1941)(COE 1941-47)	41-47
19A 13002-A	Headlamp assy-less bulb & gasket-replaced by 51A-13008	2 2	Pass Comm,Trucks except COE	41-48 42-47
51A 13002-A	Headlamp assy-less bulb & gasket-with external ground wire & attaching screw-replaced by 51A-13008	2	Pass	41-48
51A 13002-B	Headlamp assy-less bulb & gasket-repl. by 51A 13008	2 2	Pass Comm,Trucks except COE	41-48 42-47
51C 13002-A	Headlamp assy-less bulb & gasket-with external ground wire & attaching screw	2	Comm,Trucks except COE	46-47
51C 13002-B	Headlamp assy-less bulb & gasket-repl. by 51A 13008	2	Comm,Trucks except COE	46-47
	32938-S7 Screw (headlamp to fender attaching)-No.10-32	8	(Pass 1941-48)(Comm,Trucks except COE 1941-47)	41-48
+A 13004-C	Headlamp assy-2 bulb-black	2	Pass,Comm,Trucks	29
78 13004	Headlamp assy-less rim	2	Pass	37
81A 13004	Headlamp assy-2 bulb-less rim	2	Pass except 1939 DeLuxe	38-39
91A 13004	Headlamp assy-2 bulb-less rim	2	Pass-DeLuxe	39
A 13005-G	Headlamp assy-1 bulb	2	Pass,Comm,Trucks	30-31
B 13005-B	Headlamp assy-2 bulb-black	2	Pass,Comm,Trucks	32
40 13005-B	Headlamp assy-2 bulb	2	Pass	33-34
46 13005	Headlamp assy-2 bulb-Black	2	Comm	33-34
48 13005-A	Headlamp assy-2 bulb	2	Comm,Trucks	38-39
50 13005	Headlamp assy-Twolite-specify color	2	Comm,Trucks	35-37
68 13005	Headlamp assy-Twolite	2	Pass	35-36
79 13005	Headlamp assy-2 bulb	2	Trucks	37
B 13006-A	Headlamp assy-1 bulb-rustless	2	Pass,Comm	32
B 13006-B	Headlamp assy-1 bulb-Black	2	Pass,Comm	32
40 13006-B	Headlamp assy-1 bulb	2	Pass	33-34

† No Longer Supplied



CHASSIS PARTS CATALOGUE

PART NUMBER	PART NAME	NO. REQ'D	MODEL	YEAR
46 13006	Headlamp assy-1 bulb	2	Comm, Trucks	33
	31064-S7 Screw (headlamp to fender)- 1/4"-20 x 1/2"	8	(Pass 1937-39) (Comm 1938-39)	37-39
	32924-S7 Screw (headlamp to fender)-No. 10 x 1/2"	8	Comm, Trucks except COE	44-47
	355768-AS2 Nut (headlamp to fender)- No. 10 speed	8	(Pass 1939-48) (Comm 1939-47)	39-48
B 13007-C	Bulb (headlamp)-32-32 CP	2	Pass, Comm, Trucks	29-34
48 13007-A	Bulb (headlamp)-6-8V, 32-32 CP	2	Pass, Comm, Trucks	35-39
09A 13007	Bulb (headlamp)-glass base-sealed beam	2	(Pass 1940-48) (Comm, Trucks 1940-47)	40-48
51TS 13007	Bulb (headlamp)-sealed beam-12 volt system	2	Trucks	46-47
51A 13008	Headlamp assy-less bulb, gasket & wire	2	Pass	41-48
		2	Comm, Trucks except COE	41-47
	40-13465 Bulb (headlamp)-21-3 CP double contact	2	Pass, Comm, Trucks	28-29
	B-13466 Bulb (headlamp parking)-3 CP single contact	2	Pass, Comm, Trucks except 1937 Pass	29-37
	78-13466 Bulb (headlamp parking)-6-8V, 1.5 CP	2	(Pass 1937-40) (Comm 1938-41)	37-41
†A 13009-B	Case & support assy (headlamp)-Black	2	Pass, Comm, Trucks	29
B 13009	Case & support assy (headlamp)-Black	2	Pass, Comm, Trucks	32
A 13010-A	Case & support assy (headlamp)-Nickel	2	Pass, Comm, Trucks	28-29
A 13010-B	Case & support assy (headlamp)-Nickel	2	Pass, Comm, Trucks	29
A 13010-D	Case & support assy (headlamp)-Chrome	2	Pass, Comm, Trucks	30-31
46 13010	Case & support assy (headlamp)	2	Comm, Trucks	33-34
68 13010	Case & support assy (headlamp)	2	Pass	35-36
78 13010	Case assy (headlamp)	2	(Pass except 1939 DeLuxe)	37-39
	33846-S8 Nut (headlamp swivel bolt)-1/2" 20	2	Pass, Comm, Trucks	30-32
	34809-S2 Lockwasher-1/2"			
	33850-S2 Nut (headlamp swivel bolt)-5/8" 18	2	Pass, Comm	33-34
	34811-S2 Lockwasher-5/8"			
	351115-S7 Nut (headlamp swivel bolt)- 11/16"-18	2	(Pass 1935-36) (Comm, Trucks 1935-37)	35-37
	34832-S7 Lockwasher-11/16"			
	350120-S13 Screw (headlamp focusing)-No. 10 -32 x 1 1/8"	2	Pass, Comm, Trucks	28-29
	30479-S7 Screw (headlamp focusing)-No. 10-32 x 5/8"	2	Pass, Comm, Trucks	30-31
91A 13010	Case (headlamp)	2	Pass-DeLuxe	39
01T 13010	Case (headlamp)	2	Trucks	40
68 13015	Retainer (headlamp swivel bolt)	2	Pass	35-36
68 13015	Retainer (headlamp swivel bolt)	2	(Comm, Trucks 1938-41) (COE 1941-47)	38-47
B 13017	Spring (headlamp door latch)	2	Pass, Comm, Trucks	28-32
48 13017	Spring (door latch)	2	(Pass 1935-37) (Comm, Trucks 1935-39)	35-39
01A 13018	Rim (headlamp bulb retaining)	2	Pass, Comm, Trucks	40
11A 13018-A	Ring (headlamp bulb retaining)-polished-repl. by OA 13018-B	2	(Pass 1941-48) (Comm, Trucks 1941-47)	41-48
OA 13018-B	Ring (headlamp bulb retaining)-chrome	2	(Pass 1941-48) (Comm, Trucks 1941-47)	41-48
†48 13020	Bolt (headlamp swivel)-overall length 3.85"	2	Pass	35
†48 13020	Bolt (headlamp swivel)-overall length 3.85"	2	Comm, Trucks	38-41
†68 13020	Bolt (headlamp swivel)-overall length 1.75"	2	Pass	36
11T 13020	Bolt (headlamp swivel)-overall length 3.87"	2	(Trucks 1941-42) (COE 1941-47)	41-47
A 13025-B	Reflector assy (headlamp)-2 bulb	2	Pass, Comm, Trucks	28-31
A 13025-C	Reflector assy (headlamp)-1 bulb	2	Pass, Comm, Trucks	28-31
01A 13026	Case (headlamp)	2	(Pass 1940) (Comm 1940-41)	40-41
B 13027-A	Reflector (headlamp)-1 bulb	2	Pass, Comm, Trucks	32
40 13027-A	Reflector (headlamp)-1 bulb	2	Pass	33-34

† No Longer Supplied



CHASSIS PARTS CATALOGUE

PART NUMBER	PART NAME	NO. REQ'D	MODEL	YEAR 19____
B 13028-A	Reflector (headlamp)-2 bulb	2	Pass, Comm, Trucks	32
40 13028	Reflector (headlamp)-2 bulb	2	Pass, Comm, Trucks	33-34
48 13028	Reflector (headlamp)-2 bulb	2	(Pass 1935-37)(Comm, Trucks 1935-39)	35-39
78 13028	Reflector (headlamp)-2 bulb	2	Pass	38-39
81A 13030	Ring (headlamp reflector)	2	Pass	38
91A 13030	Ring and spring assy (headlamp reflector)	2	Pass	39
91A 13030	Ring and spring assy (headlamp reflector)	2	Pass	37
78 13031	Spring (headlamp reflector pressure)	4	Pass	37-39
01A 13031	Spring (headlamp bulb ring)	6	(Pass 1940)(Comm 1940-41)	40-41
11A 13031	Spring (headlamp bulb ring)	4	(Pass 1941-48)(Comm 1942-47)(Trucks 1941-47)	41-48
19B 13031	Spring (headlamp reflector)	6	(Pass 1935-37)(Comm, Trucks 1935-39)	35-39
91A 13032	Screw (headlamp adjusting)-No.8-32	2	Pass	37-39
01A 13032	Screw (headlamp adjusting)-No 10-32	2	(Pass 1940)(Comm 1940-41)	40-41
8A 13032	Screw (headlamp adjusting)-1/4"-28	4	(Pass 1941-48)(Comm 1942-47)(Trucks 1941-47)	41-48
01A 13034	Socket ring (headlamp bulb retaining rim)	2	(Pass 1940)(Comm 1940-41)	40-41
†01A 13039	Gasket (headlamp bulb retaining ring)-paper-use with all glass headlamp bulb	2	(Pass 1940-48)(Comm, Trucks 1940-47)	40-48
†A 13043-A	Door assy (headlamp)	2	Pass, Comm, Trucks	28-29
†A 13043-B	Door assy (headlamp)	2	Pass, Comm, Trucks	30-31
†B 13043	Door assy (headlamp)	2	Pass, Comm, Trucks	32
†40 13043	Door assy (headlamp)	2	Pass, Comm, Trucks	33-34
48 13043-A	Door (headlamp)-polished	2	(Pass 1935-37)(Comm, Trucks 1935-39)	35-39
48 13043-B	Door (headlamp)-painted	2	(Pass 1935-37)(Comm, Trucks 1935-39)	35-39
68 13043	Door assy (headlamp)	2	Pass	36
01T 13043	Door (headlamp)	2	Trucks	40
11T 13043-A	Door (headlamp)-polished	2	(Trucks 1941)(COE 1941-47)	41-47
78 13044	Gasket (headlamp to fender)	2	Pass except 1939 DeLuxe	37-39
91A 13044	Gasket (headlamp to fender)	2	Pass-DeLuxe	39
01A 13044	Gasket (headlamp to fender)	2	(Pass 1940)(Comm 1940-41)	40-41
11A 13044-A	Gasket (headlamp to fender)	2	(Pass 1941-48)(Comm, Trucks except COE 1941-47)	41-48
78 13045	Door (headlamp)-less lens	2	Pass except 1939 DeLuxe	37-39
	350157-S13 Screw (door to lamp)-No.10-32 x 9/16"	2	Pass except 1939 DeLuxe	37-39
91A 13045	Door (headlamp)-less lens	2	Pass-DeLuxe	39
	350108-S6 Screw (door to lamp)-No.10-32 x 3/4"	2	Pass-DeLuxe	39
01A 13045-A	Door (headlamp)-painted	2	(Pass, Comm, Std. 1940)(Comm 1941 except Sedan Delivery)	40-41
01A 13045-B	Door (headlamp)-plated	2	(Pass-DeLuxe 1940)(Sedan Delivery 1941)	40-41
21A 13045-A	Door (headlamp)-polished-with grooves	2	Pass	42-47
21T 13045	Door (headlamp)-painted-with grooves	2	(Pass 1941-47)(Comm, Trucks except COE 1942-47)	41-47
6A 13045	Door (headlamp)-polished-plain	2	Pass	47-48
	355094-S23 Screw (headlamp door)-No.8 x 3/4"	2	(Pass 1941-48)(Comm, Trucks except COE 1942-47)	41-48
A 13060-A	Lens (headlamp)-vertical lines-replaced by A 13060-B	2	Pass, Comm, Trucks	28-31
A 13060-B	Lens (headlamp)-vertical & horizontal lines	2	Pass, Comm, Trucks	28-31
B 13060	Lens (headlamp)	2	Pass, Comm, Trucks	32
40 13060	Lens (headlamp)	2	Pass, Comm, Trucks	33-34
48 13060	Lens (headlamp)	2	(Pass 1935)(Comm, Trucks 1935-39)	35-39
68 13060	Lens (headlamp)	2	Pass	36
78 13060	Lens (headlamp)	2	Pass	37
81A 13060	Lens (headlamp)	2	Pass except 1939 DeLuxe	38-39
91A 13060	Lens (headlamp)	2	Pass-DeLuxe	39
†A 13061-A	Retainer (headlamp lens)-small-use with A 13060-A	6	Pass, Comm	28
†A 13061-B	Retainer (headlamp lens)-large-use with A 13060-B	6	Pass, Comm	28-29
†B 13061	Retainer (headlamp lens)	6	Pass, Comm, Trucks	30-32

† No Longer Supplied



CHASSIS PARTS CATALOGUE

PART NUMBER	PART NAME	NO. REQ'D	MODEL	YEAR
†40 13061	Retainer (headlamp lens)	6	Pass, Comm, Trucks	33-34
48 13061	Retainer (headlamp lens)	6	(Pass 1935-36) (Comm, Truck 1935-39)	35-39
91A 13061	Retainer (headlamp lens)-lower	4	Pass	39
†78 13062	Retainer (headlamp lens)-upper	2	Pass except 1939 DeLuxe	37-39
91A 13062	Retainer (headlamp lens)-upper	2	Pass	39
B 13066	Gasket (headlamp reflector)	2	(Pass 1928-37) (Comm, Trucks 1928-39)	28-39
78 13066-A	Gasket (headlamp lens)	2	Pass	37-39
†78 13067	Retainer (headlamp gasket)	2	Pass	37-39
A 13075-A	Socket assy (headlamp)-1 bulb	2	Pass, Comm, Trucks	28-29
A 13075-B	Socket assy (headlamp)-2 bulb	2	Pass, Comm, Trucks	28-29
A 13075-C	Socket assy (headlamp)-1 bulb	2	Pass, Comm, Trucks	29
A 13075-F	Socket assy (headlamp)-2 bulb	2	Pass, Comm, Trucks	30-31
A 13075-G	Socket assy (headlamp)-1 bulb	2	Pass, Comm, Trucks	30-31
B 13075	Socket assy (headlamp)-1 bulb	2	Pass, Comm, Trucks	32
46 13075	Socket and wiring assy (headlamp)	2	Pass, Comm	33-34
B 13076	Socket assy (headlamp)-2 bulb	2	Pass, Comm, Trucks	32
46 13076	Socket and wiring assy (headlamp)-2 bulb	2	Pass, Comm, Trucks	33-34
48 13076	Socket and wiring-2 bulb	2	(Pass 1935-36) (Comm, Truck 1935-39)	35-39
91A 13076	Socket and wiring	2	Pass	37-39
01A 13076	Wiring (headlamp)	2	(Pass 1940) (Comm 1940-41)	40-41
01T 13076	Wiring (headlamp)	2	(Trucks 1940-41) (COE 1940-47)	40-47
11A 13076	Socket & wiring (headlamp)-LHD-5 leads	2	(Pass 1941-47) (Comm, Trucks except COE 1942-47)	41-47
51A 13076-B	Wiring assy (headlamp)-28" long with 6 leads	2	Pass	46-48
51C 13076-A	Wiring assy (headlamp)-20" long with 5 leads	2	Comm, Trucks except COE	46-47
51C 13076-B	Wiring assy (headlamp)-20" long with 6 leads	2	Comm, Trucks except COE	46-47
	353262-S Clip (headlamp wiring on front fender to grille bolt)	4	Comm, Trucks except COE	42-47
	353262-S Clip (headlamp wiring to IH air deflector top mounting bolt)	1	Pass	46-48
†B 13081	Spring (headlamp socket)	2	Pass, Comm, Trucks	28-34
†B 13081	Spring (cowl lamp socket)	2	(Pass, Comm 1930-34) (Station Wagon, Sedan Delivery 1933-34) (Refer to 13302)	30-34
†B 13081	Spring (rear lamp socket)	2	Pass, Comm (Refer to 13408)	32
†B 13081	Spring (headlamp socket)	2	Pass-Std, Comm, Trucks	38-39
01A 13082	Lens (parking)	2	Pass, Comm	40
	91A-13785-A Gasket (parking lamp lens retainer)	2	Pass-Std, Comm	40
	350786-AS7 Retainer (parking lamp lens to headlamp door)-1/8"	6	(Pass-Std 1940) (Comm 1940-41)	40-41
	350836-AS7 Retainer (parking lamp lens to headlamp door)-3/16"	6	Pass-DeLuxe	40
01T 13082	Lens (parking lamp)		Refer to 01T-13210 Rim	
11C 13082	Lens (headlamp parking)	2	Comm	41
†51A 13083	Clamp (headlamp conduit)-5/8" I.D.	2	Pass	46-47
01A 13084-A	Frame (parking lens)	2	(Pass, Comm-Std 1940) (Comm 1941)	40-41
01A 13085	Gasket (parking lens)	2	(Pass 1940) (Comm 1940-41)	40-41
†51A 13091-A	Grommet (headlamp wiring)	2	Pass	46-48
		2	Comm, Trucks except COE	46-47
51A 13091-B	Grommet (headlamp wiring)-with 6 notches-repl. by 51A 13076-B or 51C 13076-B	2	Pass	46-48
		2	Comm, Trucks except COE	46-47
51A 13094	Ring (headlamp wiring grommet)	2	Pass	46-48
		2	Comm, Trucks except COE	46-47
†A 13101-B	Spring (headlamp focusing screw)	2	Pass, Comm, Trucks	29-31
†B 13114	Support & tie rod (headlamp)	1	Pass	32

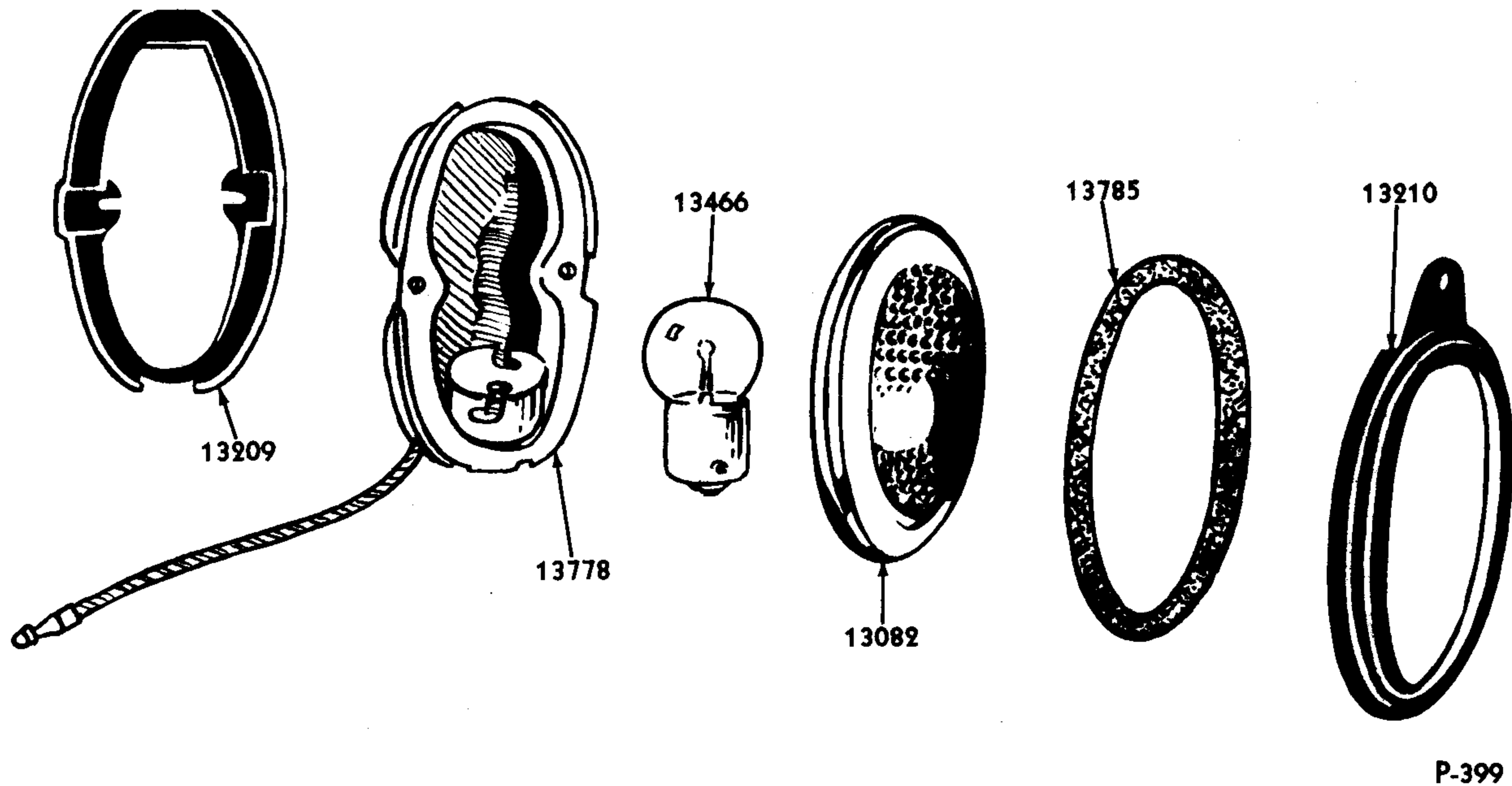
† No Longer Supplied



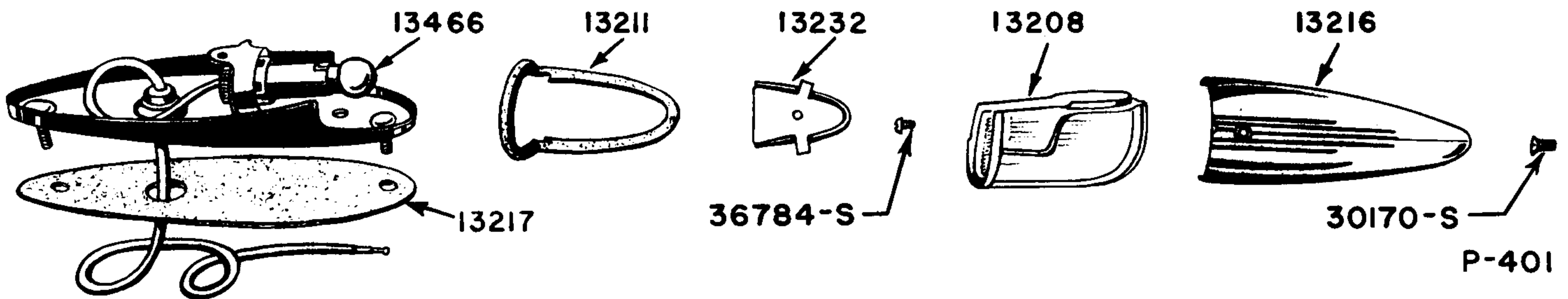
CHASSIS PARTS CATALOGUE

PART NUMBER	PART NAME	NO. REQ'D	MODEL	YEAR 19__
†B 13119	Bolt (headlamp tie rod)	4	Pass,Comm	32
48 13125	Bracket assy (headlamp)-RH	2	Pass	35
50 13125	Bracket (headlamp)-RH	1	(Comm 1935-37)(Trucks 1935-36)	35-37
†68 13125-A	Plate (headlamp socket)	2	Pass	36
81C 13125	Bracket (headlamp)	2	Comm,Trucks	38-39
11T 13125	Bracket (headlamp)	2	(Trucks 1940-41)(COE 1942-47)	41-47
	351115-S7 Nut (headlamp to fender to bracket)-11/16" -18	2	(Comm,Trucks 1938-40)(Trucks 1940-42) (COE 1946-47)	38-47
	34832-S7 Lockwasher -11/16"			
†40 13126	Bracket (headlamp)-LH	1	Pass,Sedan Delivery,Station Wagon	33-34
50 13126	Bracket (headlamp)-LH	1	(Comm 1935-37)(Trucks 1935-36)	35-37
	23408-S2 Bolt (headlamp bracket to fender)-5/16" -18 x 1"	4	Pass,Comm	35
	34096-S8 Nut-5/16" -18	4	Pass,Comm	35
	34846-S8 Lockwasher -5/16"			
	350654-S Bolt (head lamp bracket to fender bracket)-horn bolt hole-7/16" -20 x 2 1/2"	lor3	Comm,Trucks	35
	91D-1447 Bolt (head lamp bracket to fender)	1	(Pass 1933-35)(Comm,Trucks 1935-37)	33-37
	34809-S2 Lockwasher-1/2"	1	Comm,Trucks	35
	48-13834 Bolt (head lamp bracket to fender bracket)-1/2" -20 x 1/16"	1	Comm,Trucks	37
	91D 1447 Bolt (head lamp bracket to fender bracket horn bolt hole)	1	Comm,Trucks	37
	33846-S8 Nut (head lamp bracket to fender bracket horn bolt hole)-1/2" -20	1	Comm,Trucks	37
	351115-S7 Nut (head lamp to fender to bracket)-11/16" -18	2	Comm,Trucks	37
	34832-S7 Lockwasher-11/16"			
40 13130	Pad (head lamp bracket)	2	(Pass 1933-34)(Comm,Trucks 1935-37)	33-37
48 13130	Pad (head lamp bracket)	2	Pass	35
†68 13130	Pad (head lamp socket plate)	2	Pass	36
81C 13130-A	Pad (headlamp bracket)	2	(Comm,Trucks 1938-39)(Trucks 1940-41) (COE 1942-47)	38-47

† No Longer Supplied



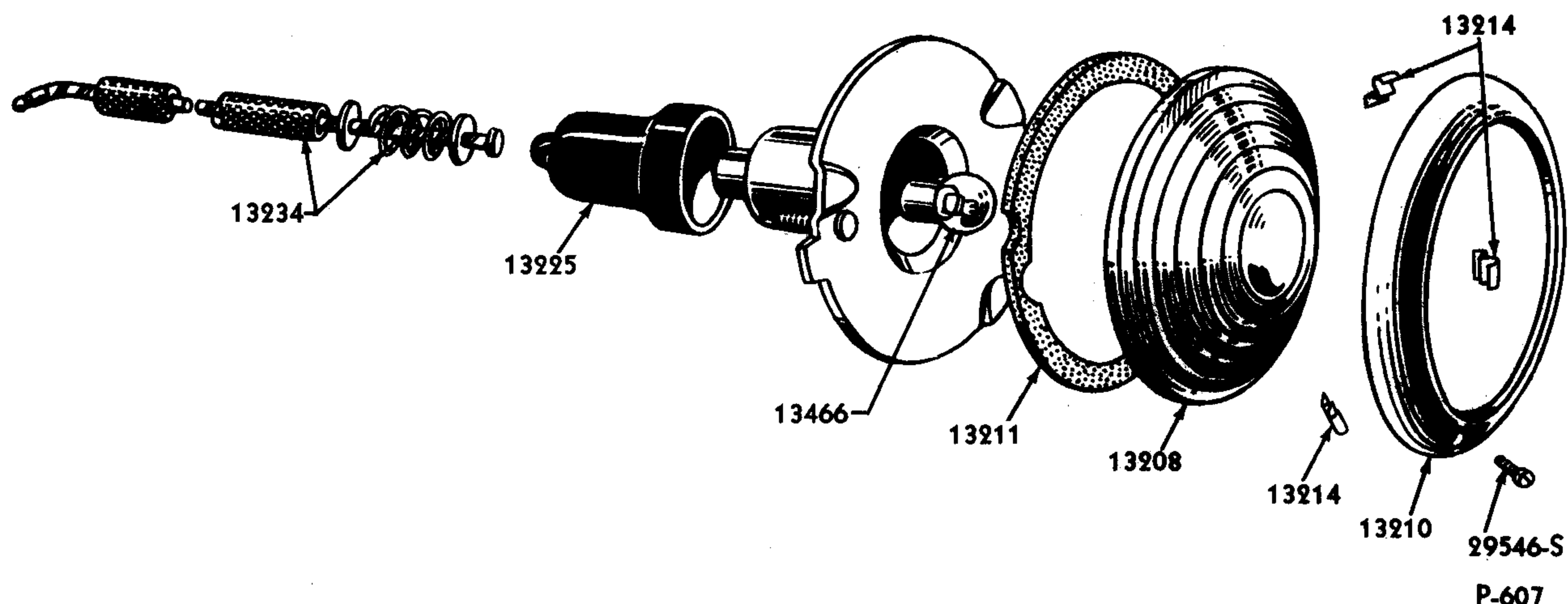
1941 TRUCK PARKING LAMP



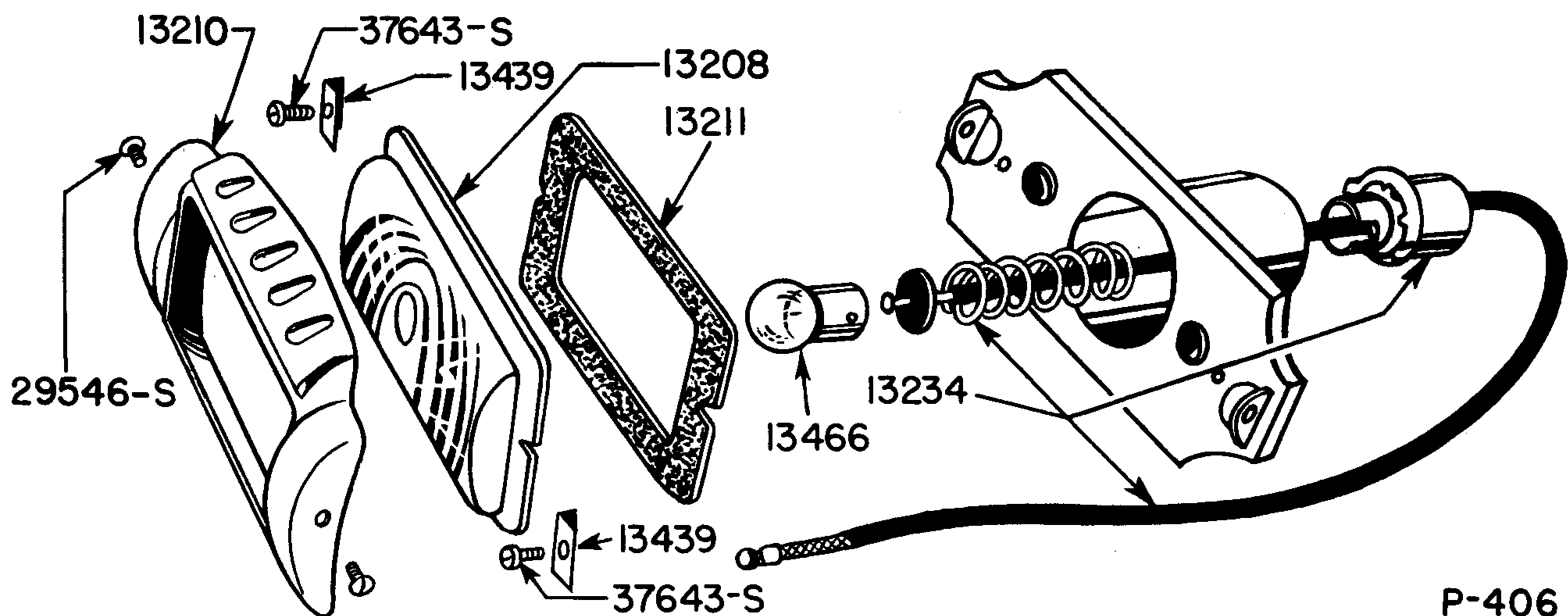
1941 PASSENGER PARKING LAMP (11A-13200-B)

Basic numbers only shown on illustration. Order by Part Numbers shown in list of parts.

PART NUMBER	PART NAME	NO. REQ'D	MODEL	YEAR 19____
Parking Lamp				
11A 13200-B	Lamp assy (parking)-with bulb-paint to match fenders	2	Pass	41
51A 13200	Lamp assy (parking)-with bulb-square type	2	Pass	42-47
51T 13200-A	Lamp assy (parking)-with bulb-polished-round type	2	Comm,Trucks except COE	42-47
51T 13200-B	Lamp assy (parking)-with bulb-painted-round type-repl. by 51T 13200-A	2	Comm,Trucks except COE	42-47
6A 13200	Lamp assy (parking)-with bulb-round type	2	Pass	47-48
	B-13466 Bulb (parking lamp)-3CP-6 volt	2	Pass	40-48
		2	Comm,Trucks	40-47
	33795-S7 Nut (parking lamp to fender)-1/4"-20	4	Pass	47-48
	34805-S8 Lockwasher-1/4"			
11A 13208	Lens (parking lamp)-used with 11A-13200-B	2	Pass	41



1947-48 PASSENGER & 1942-47 COMMERCIAL, TRUCK EXCEPT C.O.E.
PARKING LAMP (6A-13200)



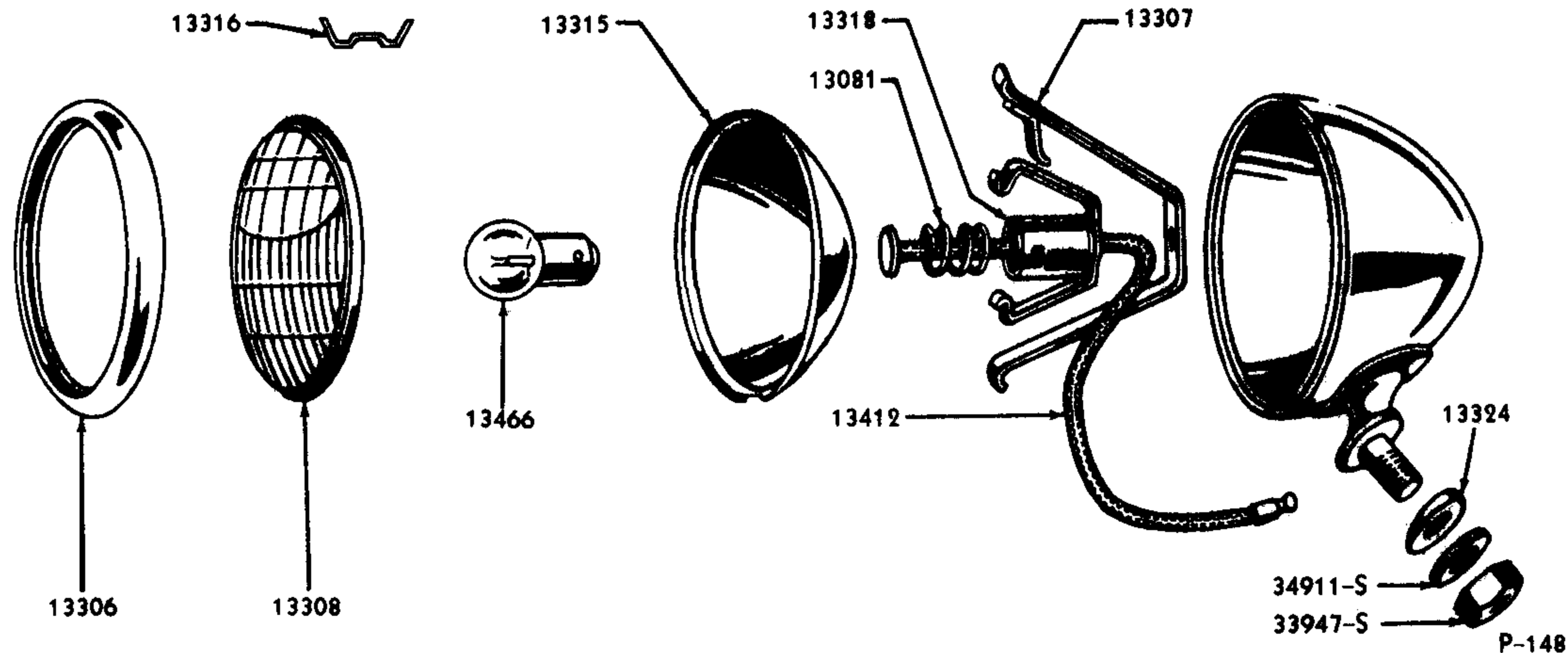
1942-47 PASSENGER PARKING LAMP (51A-13200)
Basic numbers only shown on illustration. Order by Part Numbers shown in list of parts.

PART NUMBER	PART NAME	NO. REQ'D	MODEL	YEAR
				19__
21A 13208	Lens (parking lamp)-square type	2	Pass	42-47
	21A-13439 Clip (parking lamp lens)	4	Pass	42-47
	37643-S7 Screw (parking lamp lens clip)- No.6-32 x 7/16"	4	Pass	42-47
21T 13208	Lens (parking lamp)-round type	2	Pass	47-48
		2	Comm,Trucks except COE	42-47
01T 13209-A	Gasket (parking lamp body)	2	(COE 1942-47)(Trucks 1940-41)	40-47
01T 13210	Door (parking lamp)-round type lamp	2	(COE 1942-47)(Trucks 1940-41)	40-47
	01T-13082 Lens (parking lamp)	2	(COE 1942-47)(Trucks 1940-41)	40-47
	78-13466 Bulb (parking lamp)-2 CP-single contact	2	COE	42-47
	78-13778 Body assy (parking lamp)	2	(COE 1942-47)(Trucks 1940-41)	40-47
	78-13784 Retainer (parking lamp lens)	2	(COE 1942-47)(Trucks 1940-41)	40-47
	91A-13785-A Gasket (parking lamp lens retainer)	2	(COE 1942-47)(Trucks 1940-41)	40-47
21T 13210-A	Door (parking lamp)-polished-round type lamp	2	Pass	47-48
		2	Comm,Trucks except COE	42-47



CHASSIS PARTS CATALOGUE

PART NUMBER	PART NAME	NO. REQ'D	MODEL	YEAR
				19__
21T 13210-B	Door (parking lamp)-painted-round type lamp	2	Comm,Trucks except COE	42-47
		2	Pass	47-48
51A 13210	Door (parking lamp)-square type	2	Pass	42-47
	29546-S13 Screw (parking lamp door to body)-No.6-32 x 5/16"	2	Pass	42-48
		2	Comm,Trucks except COE	42-47
11A 13211-A1	Gasket (parking lamp lens)-rubber-Used with 11A-13200-B	2	Pass-DeLuxe	41
11A 13211-A2	Gasket (parking lamp lens)-felt	2	Pass-DeLuxe	41
11A 13211-A3	Gasket (parking lamp lens)-rubber & cork	2	Pass-DeLuxe	41
21A 13211-A	Gasket (parking lamp lens)-square type lamp	2	Pass	42-47
21T 13211-A	Gasket (parking lamp lens)-round type lamp	2	Pass	47-48
		2	Comm,Trucks except COE	42-47
51T 13214	Clip (parking lamp lens retainer)	6	Pass	47-48
		6	Comm,Trucks except COE	42-47
11A 13216-B	Cover (parking lamp)-polished	2	Pass	41
		2	Pass	41
	30170-S13 Screw (parking lamp cover)-No.8-32 x 9/16"	2	Pass	41
11A 13217	Pad (parking lamp)-use with 11A-13200-B	2	Pass	41
21T 13217	Pad (parking lamp)-use with round type lamp	2	Pass	42-48
		2	Comm,Trucks except COE	42-47
6A 13225	Boot (parking lamp socket)	2	Pass	42-48
		2	Comm,Trucks except COE	42-47
11A 13232	Plate (lens locking)	2	Pass	41
		2	Pass	41
	36784-S7 Screw (parking lamp plate body)-No.10-32 x 1/4"	2	Pass	41
21T 13232	Retainer (parking lamp lens)	2	Comm,Trucks except COE	42-47
		6	Comm,Trucks except COE	42-47
	37610-S7 Screw (parking lamp lens retainer)-No.6-32 x 1/4"	6	Comm,Trucks except COE	42-47
21A 13234	Socket and wiring (parking lamp)-use with 51A 13200	2	Pass	42-47
21T 13234	Socket and wiring (parking lamp)-Length 28.5"	2	Comm,Trucks except COE	42-47
51T 13234	Socket & wire assy (parking lamp)-22.3" long	2	Trucks except COE	46-47
6A 13234-A	Wire assy (parking lamp)-use with 6A 13200 lamp-24" long	2	Pass	47
6A 13234-B	Socket and wire assy (parking lamp)-use with 6A-13200 lamp-26" long	2	Pass	47-48
0A 13234-B	Socket & wiring assy (turn indicator & parking lamp)	2	Pass (Refer to 18440)	42-48

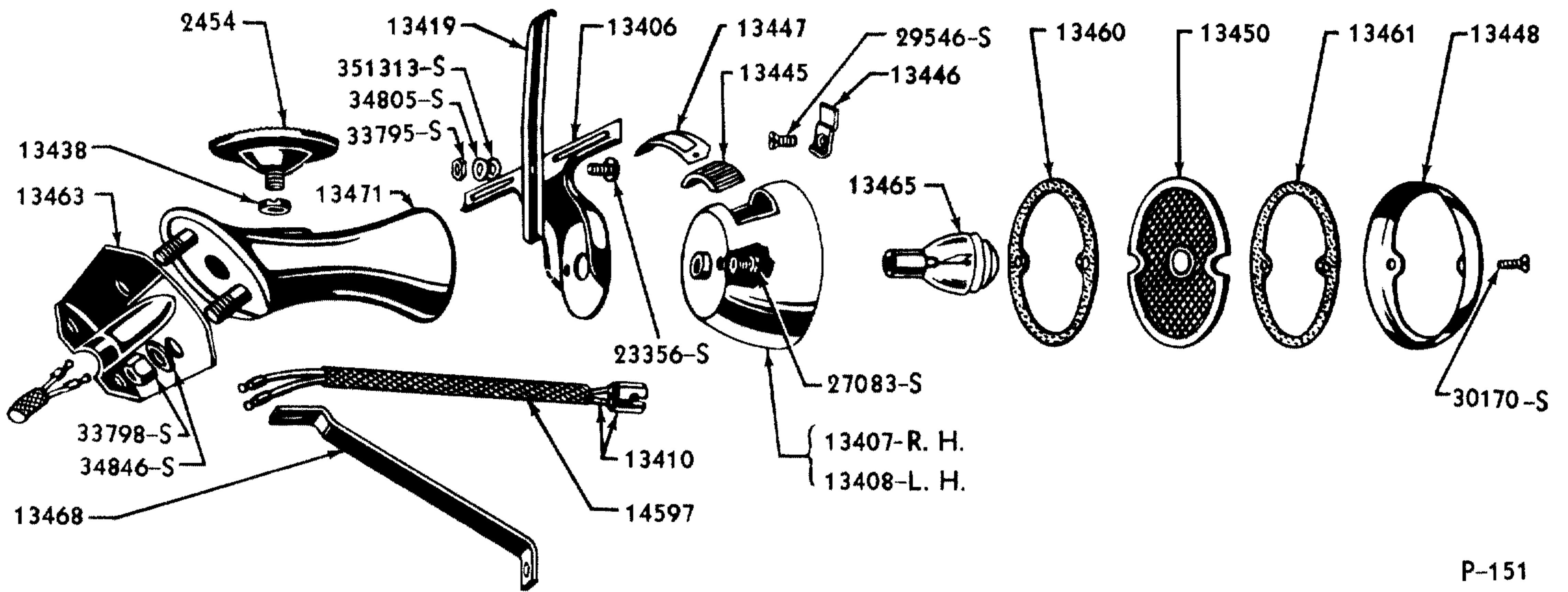


1933-34 PASSENGER COWL LAMP

Basic numbers only shown on illustration. Order by Part Numbers shown in list of parts.

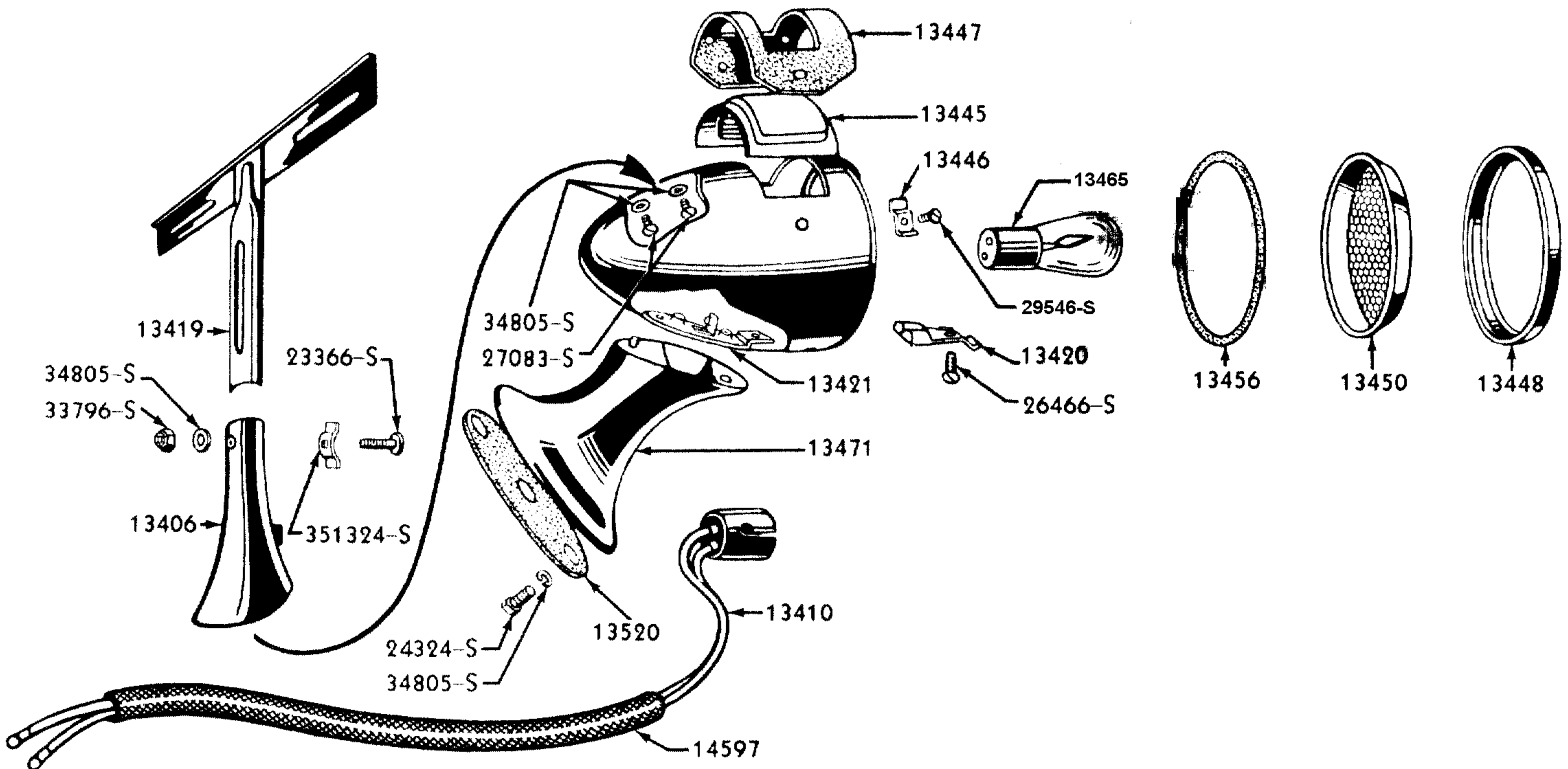
PART NUMBER	PART NAME	NO. REQ'D	MODEL	YEAR
Cowl Lamp				
A 13302-A	Lamp assy (cowl)	2	Pass,Comm	28-29
†AF 13302-B	Lamp assy (cowl)	2	Pass,Comm	30-31
†B 13302-A	Lamp assy (cowl)-RH-rustless steel	1	Pass,Comm	32
	B-13081 Spring (cowl lamp socket)	2	(Pass,Comm 1930-34)(Station Wagon,Sedan Delivery 1933-34)	30-34
	B-13466 Bulb (cowl lamp)	2	Pass,Comm	28-34
	B-13412 Wire assy (cowl lamp socket)	2	(Pass 1930-34)(Comm 1930-32)	30-34
	33947-S2 Nut (lamp to cowl) .5/8"-18	2	Pass,Comm	32-34
	34911-S Washer .5/8"			
	350113-S6 Screw (lamp to bracket) -No. 10 -32 x 1/2"	6	Pass,Comm	28-29
	350119-S6 Screw (lamp to bracket)-No. 10- 32 x 3/8"	6	Pass,Comm	30-32
	34952-S7 Washer-No. 10			
†40 13302	Lamp & bracket assy (cowl)-RH	1	Pass,Station Wagon,Sedan Delivery	33-34
†40 13303	Lamp & bracket assy (cowl)-LH	1	Pass,Station Wagon,Sedan Delivery	33-34
OA 13305	Lever (turn indicator case)	1	Pass (Refer to 18440)	42-48
†40 13306	Door (cowl lamp)	2	Pass,Station Wagon,Sedan Delivery	33-34
40 13307	Yoke (cowl lamp)	2	Pass,Station Wagon,Sedan Delivery	33-34
†A 13308-B	Lens (cowl lamp)	2	Pass,Comm	28-29
†40 13308	Lens (cowl lamp)	2	Pass,Station Wagon,Sedan Delivery	33-34
†40 13315	Reflector (cowl lamp)	2	Pass,Station Wagon,Sedan Delivery	33-34
†B 13316	Retainer (cowl lamp lens)	4	(Pass 1932-34)(Comm 1932)	32-34
†40 13318	Socket (cowl lamp)	2	Pass,Station Wagon,Sedan Delivery	33-34
†A 13322-C	Bracket (cowl lamp)-RH	1	Pass,Comm	30-31
†40 13324-B	Grommet (cowl lamp bracket)	2	Pass,Station Wagon, Sedan Delivery	33-34
6A 13338	Case assy (turn indicator)-less lever-on steering column	1	Pass (Refer to 18440)	42-48
8L 13350-B	Flasher assy (turn indicator)-plug in type	1	Pass (Refer to 18440)	42-48
8L 13351	Clamp (turn indicator flasher)	1	Pass (Refer to 18440)	42-48
†21TS 13380-A	Reflector (rear)	1	Pickup,Express,Platform,Dump,Panels, Sedan Delivery,State of Missouri	
21C 13382	Bracket (reflector)	1	Pickup,Express,Platform,Dump,Panels, Sedan Delivery,State of Missouri	
†21C 13384	Adapter (reflector)	1	Pickup,Express,Platform,Dump,Panels, Sedan Delivery,State of Missouri	

† No Longer Supplied



P-151

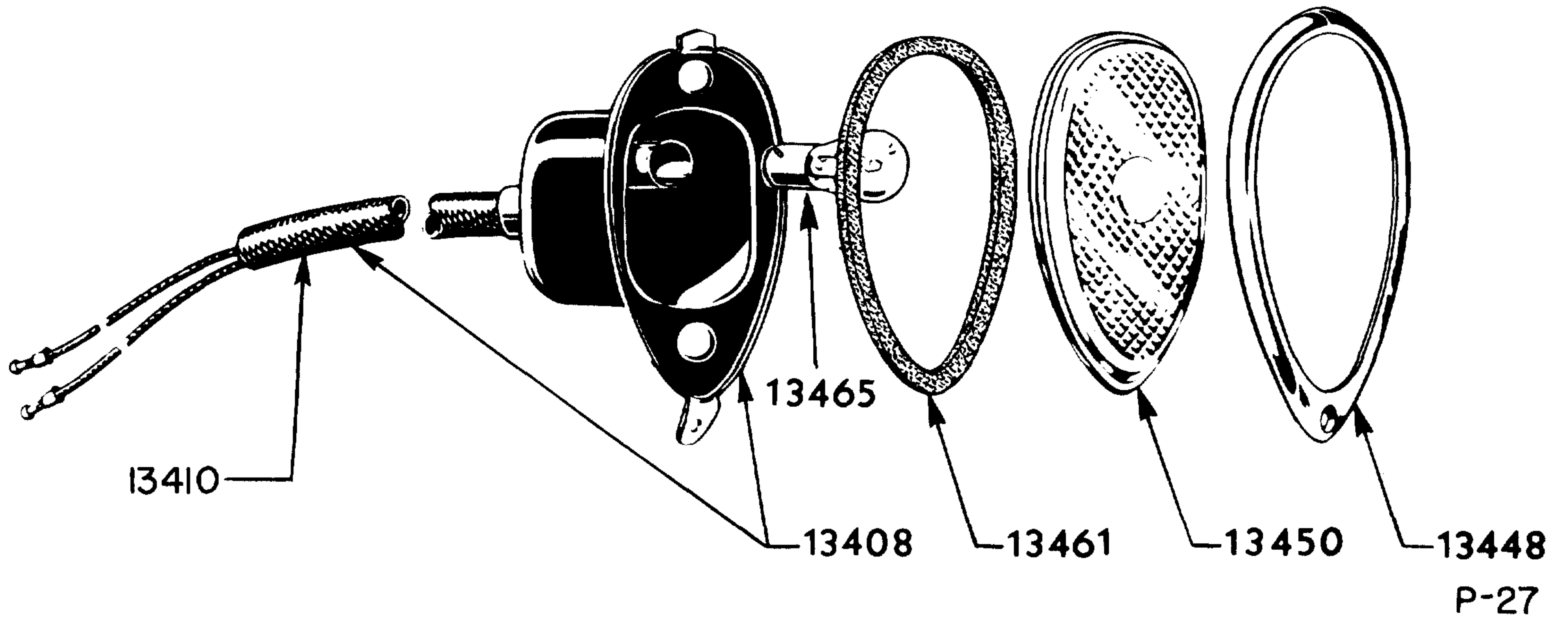
1933-34 PASSENGER REAR LAMP



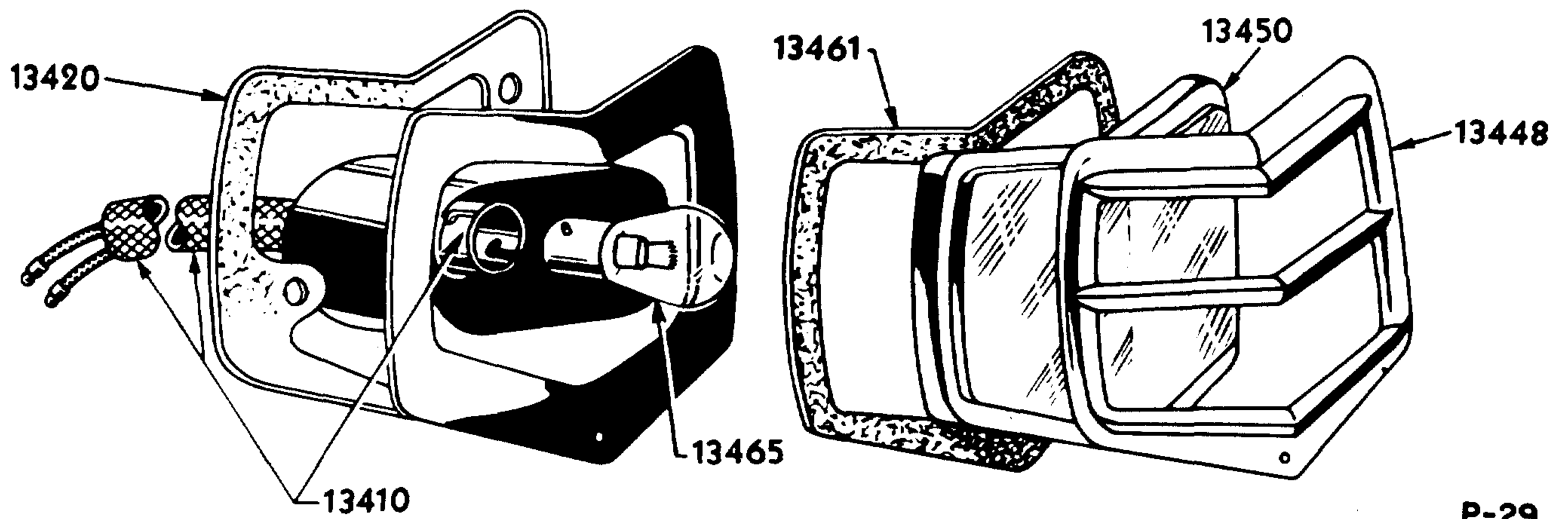
P-147

1937 PASSENGER REAR LAMP (78-13403)

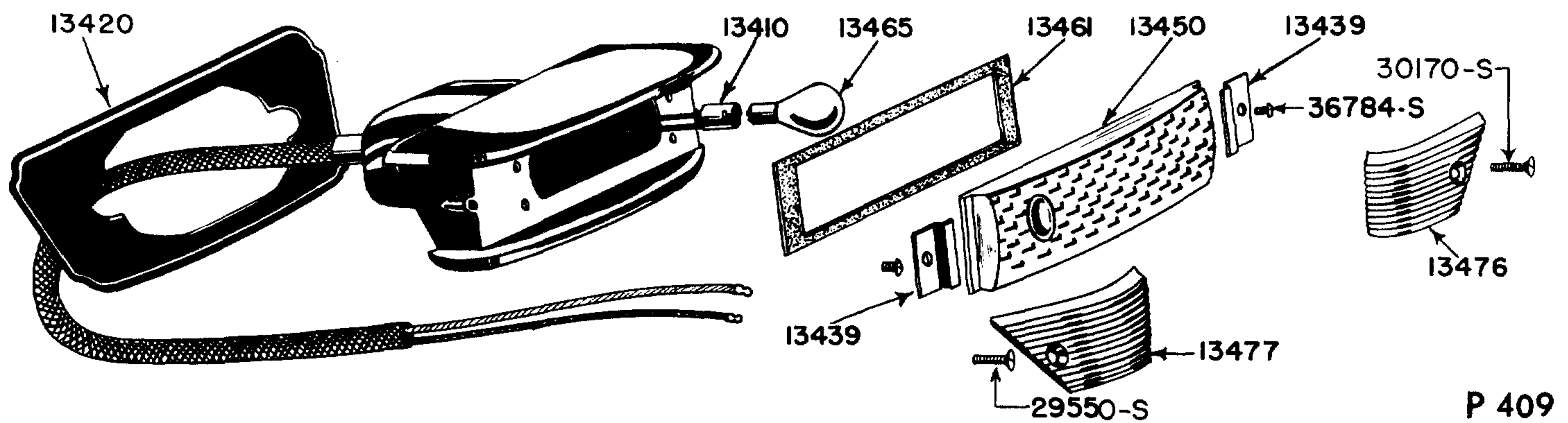
Basic numbers only shown on illustration. Order by Part Numbers shown in list of parts.



1938-39 FORD PASSENGER REAR LAMP (81A-13405)



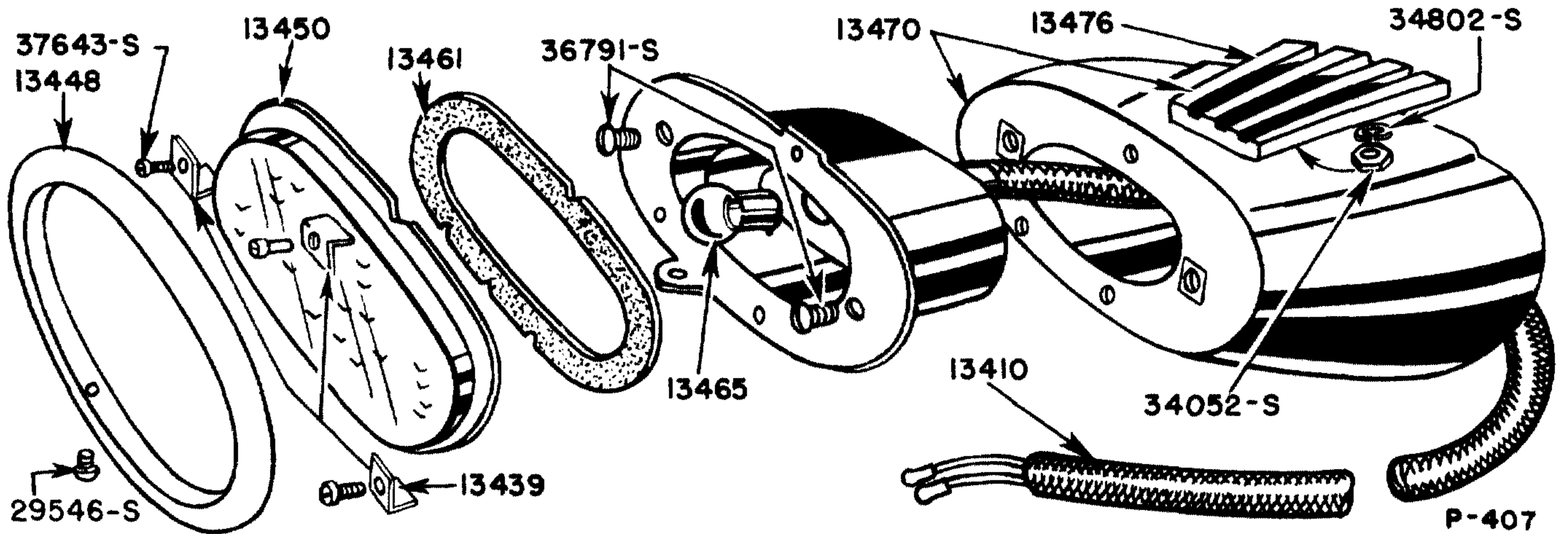
1940 FORD PASSENGER REAR LAMP (01A-13405)



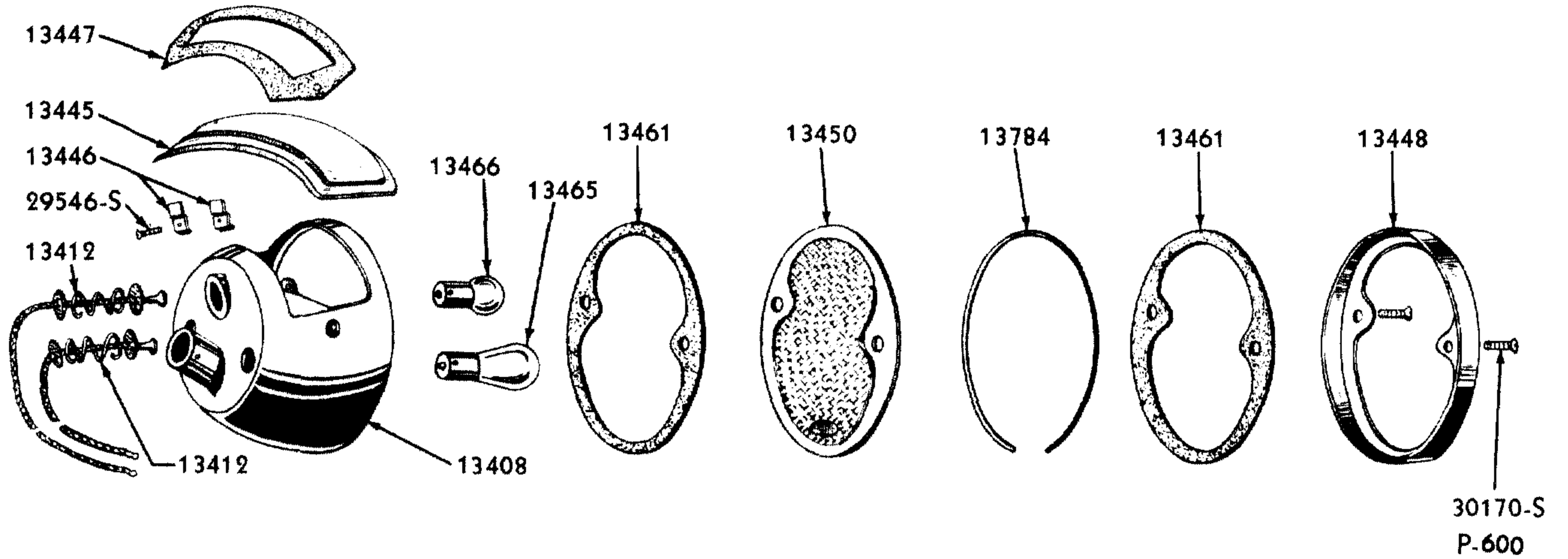
1941 FORD PASSENGER REAR LAMP (11A-13405-A)

Basic numbers only shown on illustration. Order by Part Numbers shown in list of parts.

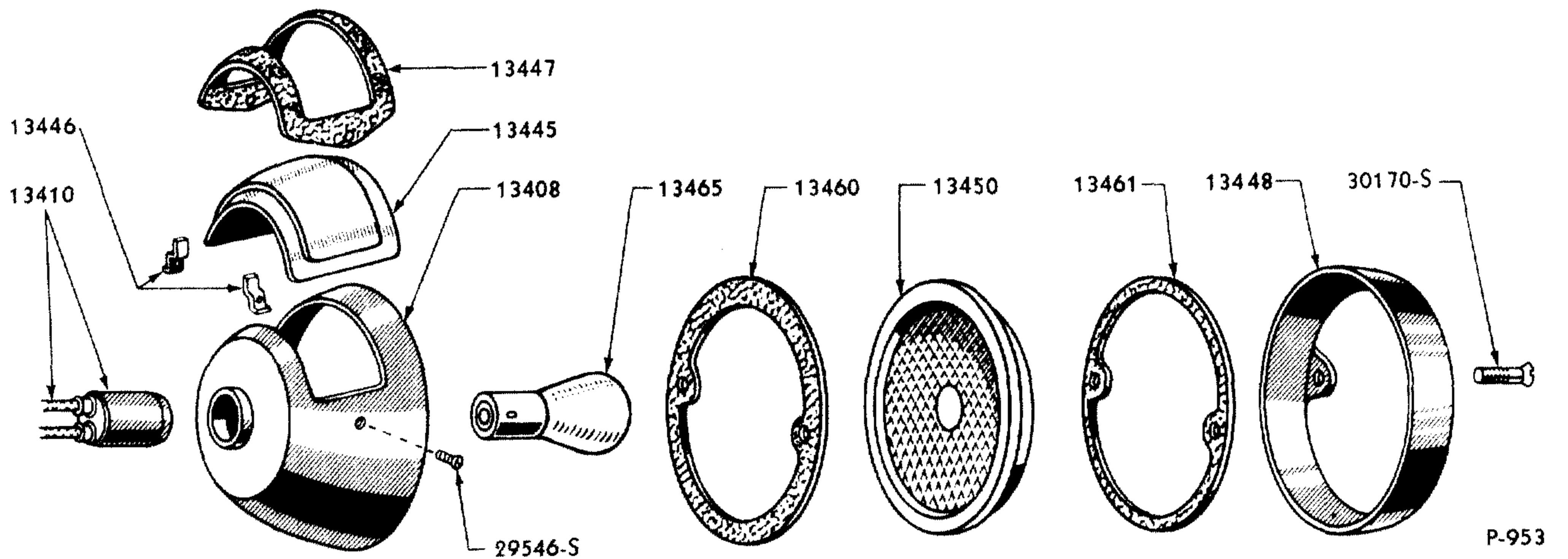
CHASSIS PARTS CATALOGUE



1942-48 FORD PASSENGER REAR LAMP



REAR LAMP (B-13407-E)



REAR LAMP (01C-13402-A)

Basic numbers only shown on illustration. Order by Part Numbers shown in list of parts.



CHASSIS PARTS CATALOGUE

REAR LAMP CHART

PART NUMBER	PART NAME	REAR LAMP																								
		48-13402	78-13402	01C-13402-A	01C-13402-B	11C-13402	21A-13402-A	21A-13402-B	21A-13402-C	8A-13402-A	48-13403	78-13403	21A-13403-A	21A-13403-B	21A-13403-C	11A-13404-A	11A-13404-B	51A-13404	81A-13405	01A-13405	11A-13405-A	11A-13405-B	51A-13405	B-13407-E		
		NUMBER REQUIRED																								
B 13408-B	Body																									1
48 13408-A	Body	1				1																				
78 13408	Body		1									1														
81A 13408	Body																				1					
01C 13408	Body			1	1																					
21A 13408	Body							1	1	1			1	1	1											
8A 13408	Body									1																
01C 13410	Socket & wiring	1	1	1	1	1	1	1	1		1	1	1	1	1	1	1		1	1	1	1	1	1	1	
36791-S7	Screw						2	2	2		2		2	2	2	2	2		2	2	2	2	2	2	2	
51A 13410	Socket & wiring																		1						1	
8A 13410-B	Socket & wiring									1																
356668-S32	Clip									1																
B 13412	Socket & wiring																									2
78 13420	Retainer		1									1														
+01A 13420	Pad (mounting)																				1					
+11A 13420	Pad (mounting)															1	1	1				1	1	1		
21A 13420-A	Pad (mounting)-RH							1	1	1																
78 13421	Plate		1									1														
21A 13421-A	Pad (mounting)-LH												1	1	1											
11A 13439	Retainer (Red lens)															2	2	2				2	2	2		
+21A 13439	Retainer (Red lens)						3	3	3			3	3	3												
36821-S7	Screw																									4
36784-S7	Screw															2	2	2				2	2	2		
37643-S7	Screw						3	3	3			3	3	3												
36782-S7	Screw						2	2	2			2	2	2												
B 13445	Lens-White																									1
40 13445	Lens-White	1		1	1	1				1																
30170-S13	Screw									2	2															
78 13445	Lens-White		1									1														
B 13446	Retainer (White lens)	2		2	2	2				1																1
29546-S13	Screw									2																
B 13447	Gasket (White lens)																									1
40 13447	Gasket (White lens)	1		1	1	1				1																
78 13447	Gasket (White lens)		1									1														
B 13448-B	Door																									1
40 13448	Door	1		1	1	1				1	1															
78 13448-A	Door		1									1														
81A 13448	Door																			1						
01A 13448	Door																					1				
11C 13448	Door-replaced by 40-13448			1		1																				
21A 13448-A	Door						1	1	1			1	1	1												

† No Longer Supplied



CHASSIS PARTS CATALOGUE

REAR LAMP CHART

PART NUMBER	PART NAME	REAR LAMP																								
		48-13402	78-13402	01C-13402-A	01C-13402-B	11C-13402	21A-13402-A	21A-13402-B	21A-13402-C	8A-13402-A	48-13403	78-13403	21A-13403-A	21A-13403-B	21A-13403-C	11A-13404-A	11A-13404-B	51A-13404	81A-13405	01A-13405	11A-13405-A	11A-13405-B	51A-13405	B-13407-E		
		NUMBER REQUIRED																								
29546-S13	Screw	2		2	2	2	2	2	2		2		2	2	2											2
29552-S13	Screw															2	2		1	1	2	2				
30170-S7	Screw	2		2	2	2																			2	
30178-S6	Screw																								2	
B 13450-B	Lens-Red																								1	
40 13450-A	Lens-Red	1		1	1	1				1	1															
78 13450	Lens-Red		1								1															
B 13784	Retainer (red lens)		1								1														1	
81A 13450	Lens-Red																		1							
01A 13450	Lens-Red																			1						
11A 13450	Lens-Red														1	1	1					1	1			
21A 13450	Lens-Red						1	1	1				1	1	1							1				
40 13460	Gasket (inner door)	1		1	1	1				1	1														1	
B 13461	Gasket (inner door)																								1	
+40 13461	Gasket (outer door)	1		1	1	1				1	1															
81A 13461	Gasket (outer door)																		1							
01A 13461	Gasket (outer door)																			1						
11A 13461	Gasket (outer door)														1	1	1					1	1	1		
21A 13461	Gasket (outer door)						1	1	1				1	1	1											
B 13465	Bulb (stop light)																								1	
40 13465	Bulb (stop & rear light)										1															
11A 13465	Bulb (stop & rear light)	1		1	1	1	1	1	1	1	1		1	1	1	1	1	1	1	1	1	1	1	1		
B 13466	Bulb (stop light)		1									1													1	
78 13470-A	Bracket		1									1														
+78 13470-B	Bracket		1									1														
21A 13470-A	Spacer							1																		
21A 13470-B	Spacer-RH								1	1																
21A 13471-A	Spacer-LH												1													
21A 13471-B	Spacer-LH													1	1											
+11A 13476	Finish plate-upper															1	1									
+11A 13476	Finish plate-lower																					1	1			
21A 13476-A	Ornament-RH								1	1																
51A 13476	Finish plate-upper																	1							1	
30170-S13	Screw															2	2	2			2	2	2			
33795-S7-8	Nut																	2							2	
34805-S2	Lockwasher																	2							2	
11A 13477	Finish plate-upper-repl. by 51A-13477																					1	1			
11A 13477	Finish plate-lower-repl. by 51A-13477																			1	1					
21A 13477-A	Ornament-LH														1	1										
34802-S7	Lockwasher									2	2				2	2										
34052-S7	Nut									2	2				2	2										
51A 13477	Finish plate-lower																		1						1	
30170-S13	Screw																	2	2	2			2	2	2	

† No Longer Supplied



CHASSIS PARTS CATALOGUE

PART NUMBER	PART NAME	NO. REQ'D	MODEL	YEAR 19__
Rear Lamp				
☆ 48 13402	Lamp assy (rear)-with bulb	1	Panel Sedan Delivery	38-47 38-47
☆ 78 13402	Lamp assy (rear)-less bracket-with bulb-LH	1	Pass	37
☆ 01C 13402-A	Lamp assy (rear door)-painted-LHD-with bulb	1	(Comm,Trucks except panel 1945-47) (5 Window Coupe 1938)(Closed Cabs 1938-47) (Station Wagons 1938-48)	38-48
☆ 01C 13402-B	Lamp assy (rear door)-polished-LHD-repl. by 8A 13402-A	1	Station Wagon,114" Panel,Sedan Delivery	46-48
☆ 11C 13402	Lamp assy (rear)-replaced by 48-13402	1	Panel & Sedan Delivery	35-42
	27083-S2 Screw (rear lamp to bracket)- 1/4"-28 x 1/2"	2	(Pass 1928-37)(Comm,Trucks 1928-47) (Station Wagon,Sedan Delivery 1946-48)	28-48
	34805-S8 Lockwasher-1/4"			
☆†21A 13402-A	Lamp assy (rear)-RH-with bulb	1	(Pass DeLuxe except Sedan Delivery 1942- 48)(Pass Special State of Washington 1942)	42-48
☆†21A 13402-B	Lamp assy (rear)-RH-with bulb	1	Pass Super DeLuxe except Sportsman, Station Wagon	42-48
☆†21A 13402-C	Lamp assy (rear)-RH-	1	(Pass DeLuxe except Sedan Delivery) (Pass Special State of Washington)	42
8A 13402-A	Lamp assy (rear)	1	Station Wagon, 114" Panel, Sedan Delivery	46-48
☆ 48 13403	Lamp assy (rear)-less White lens-with bulb	1	(Pass 1933-36)(Comm 1933-34)	33-36
☆ 78 13403	Lamp assy (rear)-less bracket-with bulb-RH	1	Pass	37
	24324-S7 Bolt (tail lamp to rear fender)-1/4"-20 x 5/8"	2	Pass except Sedan Delivery	37
	350358-S7 Screw (lamp body to bracket)- slotted-1/4"-20 x 3/4"	2	Convertible Sedan & Phaeton	37
	34805-S2 Lockwasher-1/4"			
☆†21A 13403-A	Lamp assy (rear)-LH-with bulb	1	(Pass DeLuxe except Sedan Delivery) (Pass Special 1942)	42-48
☆†21A 13403-B	Lamp assy (rear)-LH-with bulb	1	Pass Super DeLuxe except Station Wagon	42-48
☆†21A 13403-C	Lamp assy (rear)-LH-	1	Pass DeLuxe & Special	42
☆ 11A 13404-A	Lamp assy (rear)-RH-replaced by 11A-13404-B	1	Pass DeLuxe	41
☆ 11A 13404-B	Lamp assy (rear)-RH	1	Pass Super DeLuxe	41
☆ 51A 13404	Lamp assy (rear)-RH	1	Sportsman Coupe	46-48
☆ 81A 13405	Lamp assy (rear)	1	Pass (except Sedan Delivery,Station Wagon,Std 5 Window Coupe)	38-39
☆ 01A 13405	Lamp assy (rear)	2	Pass except Sedan Delivery & Station Wagon	40
☆ 11A 13405-A	Lamp assy (rear)-LH-replaced by 11A-13405-B	1	Pass DeLuxe & Special	41
☆ 11A 13405-B	Lamp assy (rear)-LH	1	Pass Super DeLuxe	41
☆ 51A 13405	Lamp assy (rear)-LH	1	Sportsman Coupe	46-48
	33795-S7-8 Nut (lamp body to fender)- 1/4"-20	2	Pass	41-48
	34805-S8 Lockwasher-1/4"			
	351296-S7 Spacer-1/4"			
B 13406-A	Bracket (rear license)-9 7/8" high	1	(Pass,Comm 1932-34)(Sedan Delivery 1935-48)	32-48
B 13406-B	Bracket (rear license)-replaced by B 13406-A	1	(Pass 1929-32)(Comm,Trucks except panels) 1929-47)(Station Wagons 1929-48)	29-48
B 13406-C	Bracket (rear lamp)-used with lock strip for rear license plate	1	Pass except Station Wagons	33-36
78 13406	Bracket assy (rear license)	1	Pass except Station Wagons	37
	23366-S4 Bolt (rear license support to rear license bracket)-1/4"- 28 x 5/8"	1	Pass except Sedan Delivery & Station Wagon	37
	33796-S7 Nut-1/4"-28			
	34805-S8 Lockwasher-1/4"			
	351324-S4 Washer (license support to bracket)-1/4"			

☆ Refer to Rear Lamp Chart Page 542 for component parts.

† No Longer Supplied



CHASSIS PARTS CATALOGUE

PART NUMBER	PART NAME	NO. REQ'D	MODEL	YEAR
81C 13406	Bracket (rear license)	1	Panels	38-47
01C 13406	Bracket (rear license)	1	Comm (Platform only)	40-47
21A 13406	Bracket assy (rear license plate support)	1	Pass except Sedan Delivery & Station Wagon, & Sportsman coupe	38-48
	21A-5038 Bracket (rear license)	1	Pass except Sedan Delivery & Station Wagon	42-48
	23356-S7 Bolt (rear license bracket to support)-1/4" -20 x 9/16"	3	Pass & Station Wagon	38-48
	34390-S7 Locknut-1/4" -20			
51A 13406	Bracket (rear license stud)	1	Sportsman Coupe	46-48
★ B 13407-E	Lamp assy (rear)-with reflex lens-replaced by 01C-13402-A	1	(Closed Cabs, Station Wagons 1938-44) (Panels 1935-37)(5 Window Coupe with Pickup Body 1938)	35-44
48 13407	Body & socket assy (rear lamp)-RH-specify color-without white lens	1	Pass except Sedan Delivery & Station Wagon	33-36
B 13408-B	Body assy (rear lamp)-Black	1 1	Pass, Comm, Trucks (5 Window Coupe with Pickup 1938)(Station Wagon, Closed Cabs 1938-44)(Panels 1935-37)	29-34 35-44
48 13408-A	Body & socket assy (rear lamp)-LH-with White lens	1	Pass	33-36
	B-13081 Spring (rear lamp socket)	2	Pass, Comm	32
48 13408-A	Body (rear lamp)	1 1	Sedan Delivery Panels	38-48 38-47
78 13408	Body (rear lamp)	1	Pass	37
81A 13408	Body (rear lamp)	1	Pass except 5 Window Coupe with Pickup, Sedan Delivery, Station Wagon	38-39
01C 13408	Body (rear lamp)	1	Comm & Trucks	45-47
21A 13408	Body (rear lamp)	2	(Pass except Sportsman Coupe, Sedan Delivery, Station Wagon,)(Special LH only)	42-48
21A 13408	Body (rear lamp)	1	Pass Special RH State of Washington only	42
†A 13410	Socket assy (rear lamp)	1	Pass, Comm	28-29
01C 13410	Socket & wiring (rear lamp)-overall length 25"	1 1	Sportsman Coupe, Station Wagon Comm, Trucks	45-48 45-47
01C 13410	Socket & wiring (rear lamp)-overall length 25"	2	Pass, Comm	33-42
01C 13410	Socket & wiring (rear lamp)-overall length 25"	1 or 2	(Pass DeLuxe & Super DeLuxe except Sedan Delivery & Station Wagon)	38-48
21A 13410	Socket & wiring (rear lamp)-replaced by 01C-13410	2	(Pass, Comm 1933-42)(Pass except Sedan Delivery & Station Wagon 1938-48)(Panels 1938-42)	33-48
51A 13410	Socket & wiring assy (rear lamp)-overall length 39"	1	Sportsman Coupe	46-48
	36791-S7 Screw (rear lamp socket & wiring to body)-1/4" -20x5/16"	1	Pass	42-48
B 13412	Wire (tail light socket)	1 or 2	(Std 5 Window Coupe 1938)(Station Wagon, Closed Cabs 1935-44)(Panels 1935-37)	35-44
B 13412	Wire (stop light socket)	1	(Pass 1929-32)(Comm 1929-37)(Trucks 1932-37)(Station Wagons 1935-37)	29-37
B 13412	Wire (cowl lamp socket)		Refer to Cowl Lamp Group	
81A 13412	Socket (license plate lamp)	1	Pass except Station Wagon, Sportsman, Sedan Delivery	38-48
B 13419	Support (rear license)-for plate 6" wide	1	Pass	32-36
B 13419	Support (rear license)-for plate 6" wide	1	Sedan Delivery	38-48
68 13419	Support (rear license)-for plates less than 5 1/2" wide)	1	(Pass 1932-36)(Sedan Delivery 1937-48)	37-48
81A 13419	Support (rear license)-for plates less than 5 1/2" wide-replaced by 21A-5038	1	Pass except Sedan Delivery, Station Wagon	37
	23356-S7 Bolt (rear license bracket to support)-1/4" -20 x 9/16"	1	(Pass 1932-36)(Sedan Delivery 1937-38)	32-38
	33795-S7 Nut 1/4" -20			
	351313-S2 Washer-1/4"			
	34805-S8 Lockwasher-1/4"			

★ Refer to Rear Lamp Chart Page 542 for component parts.

† No Longer Supplied



CHASSIS PARTS CATALOGUE

PART NUMBER	PART NAME	NO. REQ'D	MODEL	YEAR 19__
78 13420	Retainer (rear lamp door)	1	Pass except Sedan Delivery & Station Wagon	37
	26466-S6 Screw (rear lamp door retainer to body)-No.6-32 x 3/8"	1	Pass	37
†01A 13420	Pad (rear lamp mounting)	1	Pass	40
†11A 13420	Pad (rear lamp mounting)	2	Pass	41
21A 13420-A	Pad (rear lamp)-RH	1	Pass DeLuxe & Super DeLuxe except Sportsman Coupe Sedan Delivery, Station Wagon	42-48
78 13421	Plate (rear lamp body)	1	Pass except Sedan Delivery & Station Wagon	37
21A 13421-A	Pad (rear lamp)-LH	1	Pass DeLuxe & Super DeLuxe except Sportsman Coupe, Sedan Delivery, Station Wagon	42-48
78 13423	Bracket (rear lamp socket support)	1	Pass	37
11A 13425	Bracket & hinge (rear lamp & license plate mounting)	1	Station Wagon	41-48
21A 13432	Bracket (rear lamp mounting)-RH	1	Sedan Delivery State of Washington & Missouri only	42
A 13439	Body (rear lamp)-Black	1	Pass, Comm	28-29
	27723-S13 Screw (rear lamp body to bracket)-No. 8- 32 x 9/16"	2	Pass, Comm	28-29
11A 13439	Retainer (rear lamp lens)	4	Pass	41
11A 13439	Retainer (rear lamp lens)	4	Sportsman Coupe	46-48
	36784-S7 Screw (rear lamp lens retainer) No. 10-32 x 1/2"	2	(Pass 1941)(Sportsman Coupe 1946-48)	41-48
†21A 13439	Clip (rear lamp lens)-LH	3or4	Pass except Sedan Delivery & Station Wagon	42-48
†21A 13439	Clip (rear lamp lens)-RH	3or4	(Pass except Sedan Delivery & Station Wagon)(Pass Special-State of Washington)	42-48
	37643-S7 Screw (rear lamp lens retainer) No.6-32 x 7/16"	3to8	Pass except Sedan Delivery, Station Wagon	42-48
†21A 13439	Clip (parking lamp lens)	4	Pass (Refer to 13208)	42-47
†A 13445-A	Lens (rear lamp)-white	1	Pass, Comm	28-29
B 13445	Lens (rear lamp)-white	1	(Pass 1928-32)(5 Window Coupe Std 1938) (Station Wagon 1935-42)(Closed Cab 1929-44)	28-44
40 13445	Lens (rear lamp)-white	1	(Pass 1933-36)(Sedan Delivery 1933-48) (Station Wagon 1946-48)	33-48
		1	Comm, Trucks	45-47
78 13445	Lens (rear lamp)-white	1	Pass except Sedan Delivery & Station Wagon	37
B 13446	Retainer (rear lamp lens)-White	2	Pass, Comm	28-37
B 13446	Retainer (rear lamp lens)-White	2	(Panels & Sedan Delivery 1935-47) (5 Window Coupe 1938)(Station Wagon 1938-48)(Comm, Trucks 1945-47)	35-48
	29546-S13 Screw (white lens retainer) - No. 6-32 x 5/16"	1	(Pass 1928-32)(5 Window Coupe Std 1938) (Station Wagon, Sedan Deliveries 1929-48) (Closed Cab, Panels 1929-47)	28-48
81A 13446	Pad (rear license bracket)	1	Pass except Sedan Delivery, Station Wagon	38-48
81C 13446	Pad (rear license bracket)	1	Panels	38-47
B 13447	Gasket (rear lamp lens)-white	1	(Pass 1928-32)(5 Window Coupe Std 1938) (Station Wagon 1935-42)(Closed Cab 1929-44)	28-44
40 13447	Gasket (rear lamp lens)-white	1	(Pass 1933-36)(Sedan Delivery 1933-48) (Station Wagon 1946-48)	33-48
40 13447	Gasket (rear lamp lens)-white	1	Comm, Trucks	45-47
†78 13447	Gasket (rear lamp lens)-White	1	Pass except Sedan Delivery & Station Wagon	37

† No Longer Supplied



CHASSIS PARTS CATALOGUE

PART NUMBER	PART NAME	NO. REQ'D	MODEL	YEAR 19__
B 13448-B	Door (rear lamp)-painted	1	(Pass 1928-32)(5 Window Coupe Std 1938) (Station Wagon 1935-42)(Closed Cab 1929-44)	28-44
40 13448	Door (rear lamp)-polished	1	(Pass 1933-36)(Sedan Delivery 1933-48) (Station Wagon 1946-48)	33-48
40 13448	Door (rear lamp)-polished	1	Comm, Trucks 1935-36)	45-47
	30170-S13 Screw (door to body)-No. 8-32 x 9/16"	2 or 4	(Pass 1933-41)(Comm 1933-36)(Trucks 1935-36)(Closed Cabs 1937-47) (Sedan Delivery 1938-48)	33-48
78 13448-A	Door (rear lamp)	1	Pass except Sedan Delivery & Station Wagon	37
81A 13448	Door (rear lamp)	1	Pass except 5 Window Coupe Std, Sedan Delivery & Station Wagon	38-39
01A 13448	Door (rear lamp)	1	Pass except Sedan Delivery & Station Wagon	40
	29552-S13 Screw (rear lamp door to body)- No. 8-32 x 3/8"	1	Pass	38-40
11C 13448	Door (rear lamp)-painted-replaced by 40-13448	1	(Sedan Delivery 1938-48)(Comm Trucks 1945-47)	38-48
21A 13448-A	Door (rear lamp)-polished-LH	1	Pass except Sedan Delivery, Station Wagon	42-48
21A 13448-A	Door (rear lamp)-polished-RH	1	(Pass except Sedan Delivery & Station Wagon)(Pass Special-State of Washington)	42-48
	29546-S13 Screw (rear lamp door)-No. 6-32 x 3/8"	1 or 2	Pass except Sedan Delivery, Station Wagon	42-48
†46 13449	Pad (tail light bracket)	1	Sedan Delivery	33-36
†46 13449	Pad (tail light bracket)	1	(Sedan Delivery 1938-41)(Station Wagon 1938-40)	38-41
21A 13449-A	Pad (rear lamp bracket)-rubber	1	Sedan Delivery	42-48
A 13450-A	Lens-(rear lamp)-red	1	Pass, Comm	28-31
B 13450-B	Lens (rear lamp)-red	1	(Pass 1928-32)(5 Window Coupe Std 1938) (Station Wagon 1935-42)(Closed Cab 1929-44)	28-44
	B-13784 Retainer (red lens)-rear lamp	1	(Pass 1928-32)(5 Window Coupe Std 1938) (Station Wagon 1935-42)(Closed Cab 1929-44)	28-44
40 13450-A	Lens (rear lamp)-red	1	(Pass 1933-36)(Sedan Delivery 1937-48) (Station Wagon 1947-48)	33-48
40 13450-A	Lens (rear lamp)-red	1	Comm, Trucks	45-47
78 13450	Lens (rear lamp)-red	1	Pass except Sedan Delivery, Station Wagon	37
81A 13450	Lens (rear lamp)-red	1	Pass except Sedan Delivery, Station Wagon	38-39
01A 13450	Lens (rear lamp)-red	1	Pass except Sedan Delivery, Station Wagon	40
11A 13450	Lens (rear lamp)-red	2	Pass, except Sedan Delivery, Station Wagon	41
11A 13450	Lens (rear lamp)-red	1	Sportsman Coupe	46-48
21A 13450	Lens (rear lamp)-red	2	Pass DeLuxe & Super DeLuxe except Sedan Delivery & Station Wagon	42-48
21A 13450	Lens (rear lamp)-RH-red	1	Pass Special (State of Washington)	42
21A 13450	Lens (rear lamp)-LH-red	1	Pass Special	42
	B-13784 Retainer (rear lamp red lens)	1	(Pass 1929-32)(Comm 1929-37)(Trucks 1932-37)(Station Wagon 1935-37)	29-37
78 13456-B	Retainer (rear lamp red lens)	2	Pass	37
†48 13459	Bracket (tail light)-LHD-replaced by 01A-13473	1	Sedan Delivery	38-40
†A 13460-A	Gasket (rear lamp body)	1	Pass, Comm	28-29
40 13460	Gasket (rear lamp door)-inner	1	(Pass 1933-36)(Sedan Delivery 1937-48) (Station Wagon 1947-48)	33-48
40 13460	Gasket (rear lamp door)-inner	1	Comm, Trucks	45-47
B 13461	Gasket (rear lamp door)	2	(Pass 1928-32)(5 Window Coupe Std 1938) (Station Wagon 1935-42)(Closed Cab 1929-44)	28-44

† No Longer Supplied



CHASSIS PARTS CATALOGUE

PART NUMBER	PART NAME	NO. REQ'D	MODEL	YEAR
†40 13461	Gasket (rear lamp door)-outer	1	(Pass 1933-36)(Sedan Delivery 1937-48) (Station Wagon 1947-48)	33-48
†40 13461	Gasket (rear lamp door)-outer	1	Comm, Trucks	45-47
81A 13461	Gasket (rear lamp door)	1	Pass except 5 Window Coupe Std, Sedan Delivery & Station Wagon	38-39
01A 13461	Gasket (rear lamp door)	1	Pass except Sedan Delivery & Station Wagon	40
11A 13461	Gasket (rear lamp lens)	2	Pass	41
11A 13461	Gasket (rear lamp lens)	1	Sportsman Coupe	46-48
21A 13461	Gasket (rear lamp lens)	2	Pass DeLuxe & Super DeLuxe except Sedan Delivery & Station Wagon	42-48
21A 13461	Gasket (rear lamp lens)-LH	1	Pass Special	42
21A 13461	Gasket (rear lamp lens)-RH	1	Pass Special (State of Washington)	42
†40 13463-A	Reinforcement (rear lamp bracket to fender)	1	Pass except Victoria, Sedan Delivery, Station Wagon	33-34
†40 13463-B	Reinforcement (rear lamp bracket fender)-LH	1	Victoria	34
	24387-S7 Bolt (rear lamp bracket fender reinforcement to fender)- 5/16" -24 x 1"	2	Pass	33-34
	34846-S2 Lockwasher .5/16"			
	33798-S8 Nut .5/16" -24			
B 13465	Bulb (stop light)-21 CP-single contact-6-8 volt	1	(Pass, Comm 1927-37)(Trucks 1932-37)	27-37
	A-18570 Bulb (stop light)-32 CP	1	Pass	31
B 13465	Bulb (stop light)-21 CP-single contact-6-8 volt	1	(5 Window Coupe Std 1938)(Station Wagon 1935-44)(Closed Cab, Panels 1936-37)	35-44
40 13465	Bulb (rear lamp)-21 CP-double contact	1	Pass	33-37
40 13465	Bulb (headlamp)-21-CP-double contact	2	Pass, Comm, Trucks (Refer to 13007)	28-29
40 13465	Bulb (stop light)-21 CP-double contact	1 or 2	Panels, Pass 1940 except Station Wagon	38-42
11A 13465	Bulb (parking lamp & turn indicator)-21-CP	2	Pass (Refer to 18440)	42-48
11A 13465	Bulb (stop & rear lamp)-21-3 CP-6 volt	2	Pass except Sedan Delivery, Station Wagon	41-48
11A 13465	Bulb (stop & rear lamp)-21-3 CP-6 volt	1	Pass except Station Wagon, Sedan Delivery, & 1938-39 5 Window Coupe	38-40
11A 13465	Bulb (stop & rear lamp)-21-3 CP-6 volt	1	(Comm & Trucks 1945-47)(Sedan Delivery & Station Wagon 1947-48)	45-48
51A 13465	Bulb (utility lamp)-15 CP-6 Volt	1	Pass (Refer to 15550)	38-48
B 13466	Bulb (dome lamp)-3 CP-single contact	1	(Pass 1928-48)(Comm, Trucks 1928-47) (Refer to 13799)	28-48
B 13466	Bulb (license plate lamp)-3 CP-single contact	1	Pass, Comm, Trucks (Refer to 13730)	28-39
B 13466	Bulb (instrument panel lamp)-3 CP-single contact	1	Pass (Refer to 13550)	38-48
B 13466	Bulb (luggage compartment lamp)-3 CP-single contact	1	Pass (Refer to 13506)	40-48
B 13466	Bulb (rear lamp)-3 CP-single contact	1	(5 Window Coupe-Std 1938)(Station Wagon 1935-44)(Panels 1935-37)(Closed Cabs 1929-44)	29-44
B 13466	Bulb (parking lamp)-3 CP-single contact	2	Pass, Comm, Trucks except 1937 Pass (Refer to 13007)	29-37
78 13466	Bulb (instrument cluster)-2 CP-single contact	2	Pass (Refer to 13730)	41-48
78 13466	Bulb (clock)-2 CP-single contact	1	Pass (Refer to Clock Group)	38-48
78 13466	Bulb (parking lamp)-2 CP-single contact	2	Pass 1937-40)(Comm 1938-41)(Refer to 13007)	37-41
78 13466	Bulb (radio pilot light)-2 CP-single contact	1	Pass	46-48
B 13467	Shield (rear lamp wire)	1	(Comm & Trucks except Panels)(Station Wagon)	38-47
BB 13468	Bracket (rear lamp)	1	Dump Trucks	38-47
	†26611-S Bolt (rear lamp to rear cross member or sub sill) -1/4" -20 x 2"	2	Dump Truck	32-37
	33795-S7 Nut .1/4" -20			
	34805-S2 Lockwasher-1/4"			
†40 13468	Reinforcement (rear lamp bracket step)-with rumble seat	1	Pass	33-34

† No Longer Supplied



CHASSIS PARTS CATALOGUE

PART NUMBER	PART NAME	NO. REQ'D	MODEL	YEAR 19__
81C 13468	Bracket (rear lamp)-RH	1	Trucks except Panel & Dump (State of Washington)	40-47
77 13469-B	Bracket (rear lamp & license)-LHD	1	(Station Wagon 1932)(Platform & Racks 1937-40)	32-40
77 13469-B	Bracket (rear lamp & license)-LHD	1	Trucks except Panel & Dump	40-47
	23394-S2 Bolt (rear, stop light & license bracket support to frame)-5/16"-24 x 7/8"	3	Comm, Trucks	38-47
	23558-S2 Bolt (rear lamp bracket & bumper arm support to side sill)-5/16"-18 x 2 3/4"	2	Platform, Racks	37-40
	20357-S2 Bolt (rear, stop light & license support bracket to body bracket)-5/16"-24x13/16"	3	Comm (Platform & Stake Only)	37-40
	23543-S7 Bolt (rear lamp bracket & bumper arm support to side sill)-5/16"-18 x 2 1/2"	2	Comm (Platform & Stake Only)	37
	23543-S7 Bolt (rear lamp bracket to sill)-5/16"-18 x 2 1/2"	1	Comm (Platform & Stake Only)	37-40
	34096-S8 Nut (rear lamp bracket to sill)-5/16"-18	1	Comm (Platform & Stake Only)	37
	21545-S2 Bolt (rear lamp bracket to body)-1/4"-20 x 2 3/4"	2	Pickup	37
	33795-S7 Nut-1/4"-20			
	33797-S7 Nut-5/16"-18			
	33798-S8 Nut-5/16"-24			
	34805-S2 Lockwasher-1/4"			
	34846-S2 Lockwasher-5/16"			
82Y 13469	Bracket (rear lamp)-RH	1	(122" Trucks except Panel, Express & Platform) State of Washington	40-47
11A 13469	Bracket (rear lamp control)-RH	1	Station Wagon (State of Washington & Missouri only)	41-48
21A 13469	Bracket (rear lamp attaching)-LH	1	Sedan Delivery	42-48
B 13470	Support (rear lamp & stop light & license bracket)	1	(Trucks except Panel Delivery, Express 1928-31)(Panel Delivery 1932-34)(Panel Delivery, Pickup 1935-36)	29-36
B 13470	Bracket (rear lamp)	1	Comm, Trucks except Platform, Stake, Panel	37
	24367-S7 Bolt (rear, stop light & license bracket support to frame)-5/16"-24 x 7/8"	3	Comm, Trucks except Platform, Panel, Pickup	37
	33798-S8 Nut-5/16"-24			
B 13470	Bracket (rear lamp)	1	(Comm except Panel, Platform, Rack, Pickup, Sedan Delivery 1938-48)(Trucks except Panel Delivery, Platform, Express 1938-39)	38-47
BB 13470-B	Bracket (rear lamp)	1	(Panel Delivery 1933-34)(Comm, Trucks 1935)	33-35
48 13470-A	Bracket assy (rear lamp)-RH	1	Pass without Rumble Seat	35
48 13470-B	Bracket assy (rear lamp)-RH-replaced by 48-13470-A	1	Touring Sedans	35
48 13470-C	Bracket assy (rear lamp)-RH-replaced by 48-13470-A	1	Roadster, Coupe, Cabriolet with Rumble Seat	35
50 13470	Bracket (rear lamp)-without rear bumper	1	Pickup	36-37
68 13470-B	Bracket assy (rear lamp)-RH	1	Convertible Sedan	36



CHASSIS PARTS CATALOGUE

PART NUMBER	PART NAME	NO. REQ'D	MODEL	YEAR 19__
77 13470	Bracket (rear lamp)-with rear bumper	1	Pickup	36-37
	21545-S2 Bolt (rear lamp bracket to body) -1/4" -30 x 2 3/4"	2	Pickup	36-37
	33795-S7 Nut-1/4" -20			
	44720-S8 Washer-1/4"			
	20357-S2 Bolt (rear lamp bracket to rear side panel support). 5/16" -24 x 13/16"	2	Pickup	35-36
	60957-S2 Rivet (rear lamp bracket to rear side panel support). 1/4" x 5/8"	2	Pickup	35-36
78 13470-A	Bracket assy (rear lamp)-RH	1	Tudor, Fordor, Roadster, Club Coupe, Cabriolet, Coupe-DeLuxe	37
†78 13470-B	Bracket assy (rear lamp)-RH	1	Convertible Sedan, Phaeton (90 HP)	37
	78-706865 Pad (rear lamp bracket to fender) fender) to body)	1	Tudor, Fordor, Roadster, Club Coupe, Cabriolet, Coupe, Convertible Sedan, Phaeton-DeLuxe	37
	21481-S2 Bolt (rear lamp & spacer to body) 1/4" -20 x 1 3/4"	2	Panel Delivery	37
	33795-S2 Nut-1/4" -20			
	34805-S8 Lockwasher-1/4"			
81Y 13470	Bracket (rear lamp)-RH	1	Pickup & 122" Express with rear bumper (State of Washington & Missouri)	40-47
82Y 13470	Bracket (rear lamp)-LHD	1	122" Truck except Panel Delivery & Pickup	38-47
11A 13470-A	Bracket (rear lamp)-LHD-use in Calif., Penn. & Mass.	1	Station Wagon	40-41
11A 13470-A	Bracket (rear lamp)	1	Station Wagon(1933-35, 1938-39)	33-39
21A 13470-A	Bracket (rear lamp)-RH	1	Pass DeLuxe except Sedan Delivery & Pass Special State of Washington	42-48
21A 13470-B	Bracket (rear lamp)-RH	1	Pass Super DeLuxe except Station Wagon	42-48
†A 13471-B	Bracket (rear lamp on fender)-LHD	1	Pass, Comm	28-31
	AA-13616 Plate (rear lamp plunger)	1	Trucks, 270A, 275A, 280A, 300A	31
	31921-S Screw (plate to body)-No. 14 x 10 x 1"	2	Trucks, 270A, 275A, 280A, 300A	31
	34805-S8 Lockwasher-1/4"			
	27099-S7 Screw (rear lamp to bracket)- 1/4" -28 x 5/8"	2	Pass, Comm	29-31
	21547-S2 Bolt (rear lamp bracket to support)-5/16" -18 x 2 3/4"	2	Pass, Pickup	32
	33798-S8 Nut-5/16" -24			
B 13471	Bracket assy (rear lamp)-LH	1	Pass, Comm	32
BB 13471	Spacer (rear lamp)	1	Panel Delivery	35-37
BB 13471	Spacer (rear lamp)	1	AA-270A, 275A, 280A, 300A, BB-330	31-34
	21217-S7 Bolt (rear lamp & spacer to body)-1/4" -28 x 1 3/4"	2	131 1/2" Panel Delivery	37
	34805-S8 Lockwasher-1/4"			
BF 13471	Bracket assy (rear lamp)-RH	1	Pass, Comm	32
	20423-S2 Bolt (bracket to frame)-1/2" -20 x 1 3/16"	2	Pass, Comm	32
	33846-S2 Nut-1/2" -20			
	34809-S2 Lockwasher-1/2"			
†40 13471-B	Bracket (rear lamp)-with rumble seat step	1	Pass	33-34
†40 13471-C	Bracket (rear lamp)	2	Victoria	33-34
48 13471-A	Bracket assy (rear lamp)-LH	1	Pass except Convertible Sedan, Touring	35
	23394-S2 Bolt (bracket to fender)- 5/16" -24 x 7/8"	2 or 4	Pass except Convertible Sedan, Sedan Delivery, Station Wagon Sedan	35
48 13471-B	Bracket assy (rear lamp)-LH	1	Touring Sedan	35

† No Longer Supplied



CHASSIS PARTS CATALOGUE

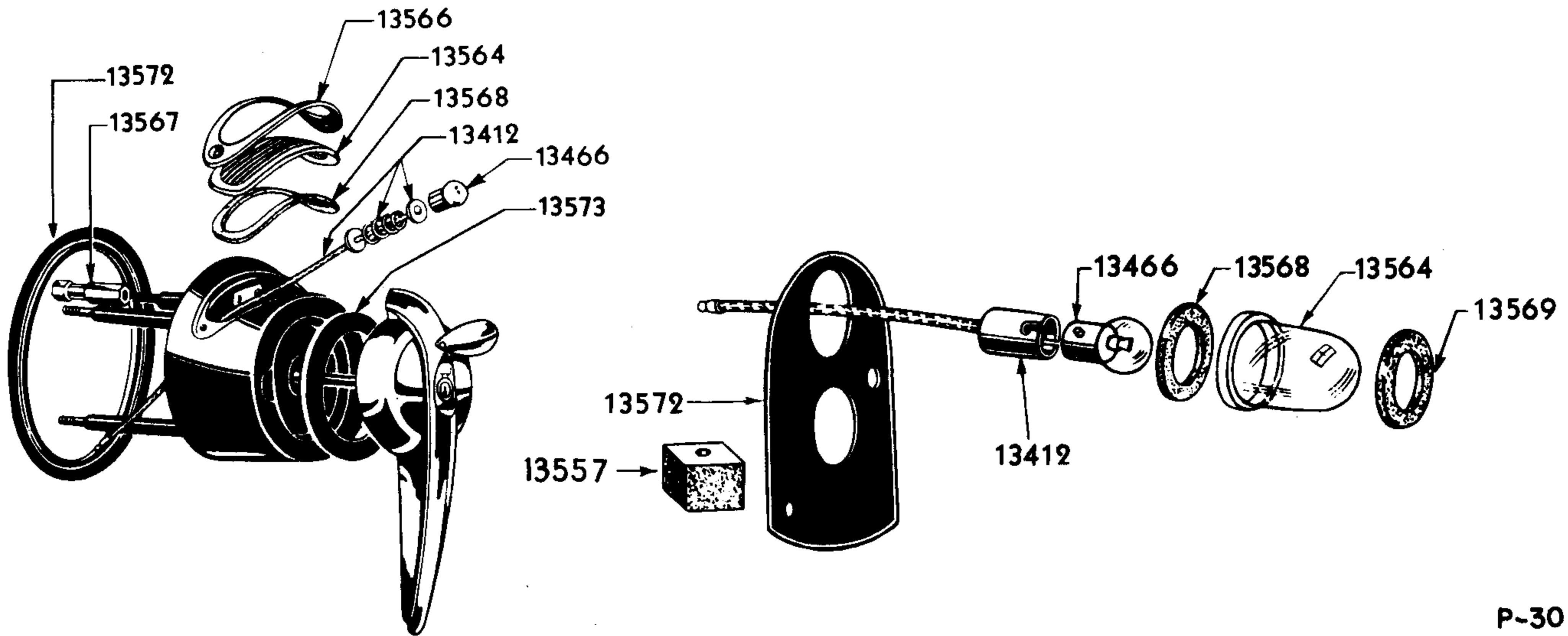
PART NUMBER	PART NAME	NO. REQ'D	MODEL	YEAR 19__
68 13471-A	Bracket assy (rear lamp)-LH	1	Pass except 3 Window Coupe, Sedan Delivery, Station Wagon	36
	11A -2454-A Step (rear lamp bracket)-used with rumble seat	1	Pass	33-36
	34846-S2 Lockwasher -5/16"			
	24386-S2 Bolt(rear lamp bracket to body) -5/16" -18 x 1"	4	Roadster, Sedan Delivery, Panel Delivery	35-36
78 13471-A	Bracket assy (rear lamp)-LH	1	Pass except Convertible Sedan, Phaeton, Sedan Delivery, Station Wagon	37
78 13471-B	Bracket assy (rear lamp)-LH	1	Convertible Sedan, Phaeton	37
	350358-S7 Bolt (bracket to body)-1/4" -20 x 5/8"	1	Convertible Sedan, Phaeton	37
	24324-S7 Bolt (rear lamp bracket to rear fender)-1/4" -20 x 5/8"	2	Pass except Sedan Delivery	37
	34805-S2 Lockwasher-1/4"			
81Y 13471	Bracket (rear lamp)-LHD	1	Pickup & 122" Express with bumper	38-47
91C 13471	Bracket (rear lamp)-LH	1	Pickup without rear bumper	39-47
	24344-S7 Bolt (rear lamp bracket to rear support)-1/4" -20 x 3/4"	2	Pickup without bumper	42
	24346-S7 Bolt (rear lamp bracket to rear support)-5/16" -18 x 3/4"	2	122" 3/4 Ton Express without bumper	42
	20384-S2 Bolt (rear lamp bracket to body)-1/4" -20 x 1"	1	Pickup	39
	20384-S2 Bolt (rear lamp bracket to body)-1/4" -20 x 1"	1	Comm (8 cyl)	45-47
92Y 13471	Bracket (rear lamp)	1	122" Express without rear bumper	39-47
	24386-S2 Bolt (rear lamp bracket to body)-5/16" -18 x 1"	1	122" Express	39-47
21A 13471-A	Bracket & spacer (rear lamp)-LH	1	(Pass Deluxe except Sedan Delivery)(Pass Special State of Washington)	42-48
21A 13471-B	Bracket & spacer (rear lamp)-LH	1	Pass Super Deluxe except Station Wagon	42-48
21C 13471	Bracket (rear lamp)	1	114" Platform	42-47
01A 13472	Bracket (rear lamp)-RH	1	Sedan Delivery (state of Washington)	40-41
21A 13472	Bracket (rear lamp)-RH	1	Sedan Delivery (state of Washington & Missouri)	42-48
01A 13473	Bracket (rear lamp)-LH	1	Sedan Delivery	40-41
21A 13473	Bracket (rear lamp)-LH	1	Sedan Delivery	42-48
11A 13476	Plate (rear lens retainer finish)-upper RH-lower LH-replaced by 51A 13476	2	Pass	41
21A 13476-A	Ornament (rear lamp)-RH	1	Pass Super DeLuxe except Station Wagon	42-48
51A 13476	Plate (rear lens retainer finish)-RH	1	Sportsman Coupe	46-48
11A 13477	Plate (rear lens retainer finish)-lower RH-upper LH replaced by 51A 13477	2	Pass	41
	30170-S13 Screw (finish plate)-No. 8 -32 x 9/16"		Pass	41
21A 13477-A	Ornament (rear lamp)-LH	1	Pass Super DeLuxe except Station Wagon	42
	34902-S7 Lockwasher (rear lamp)-No. 8	2	Super DeLuxe except Station Wagon	42-48
	34052-S7 Nut (rear lamp ornament)-No. 8 -32	2	Pass Super Deluxe except Station Wagon	42-48
51A 13477	Plate (rear lens retainer finish)-LH	1	Sportsman Coupe	46-48
	30170-S13 Screw (finish plate to lamp body)-No. 8-32 x 9/16"	1	Sportsman Coupe	46-48
A 13480-A	Switch assy (stop light)	1	Pass, Comm	28-29
B 13480-A	Switch assy (stop light)	1	Pass, Comm	32
	36802-S2 Bolt (stop light switch to transmission case cover)-1/4" -20 x 3/8"	1	Pass, Comm	32
	34805-S8 Lockwasher-1/4"			



CHASSIS PARTS CATALOGUE

PART NUMBER	PART NAME	NO. REQ'D	MODEL	YEAR 19__
BB 13480-B	Switch assy (stop light)	1	(Pass,Comm 1929-31)(Trucks 1934)	29-34
	24308-S7 Bolt (stop light switch to frame)-1/4"-20 x 1/2"	1	(Pass,Comm 1929-31)(Trucks 1934)	29-34
	33795-S2 Nut-1/4"-20			
	34805-S8 Lockwasher-1/4"			
40 13480	Switch assy (stop light)	1	Pass,Comm	33-34
48 13480	Switch assy (stop light)	1	Pass,Comm	35-38
81T 13480	Switch assy (stop light)	1	Trucks	32-38
	24324-S7 Bolt (stop light switch to pedal bracket)-1/4"-20x5/8"	2	(Pass,Comm 1933-38)(Trucks 1932-38)	32-38
	33795-S2 Nut-1/4"-20			
	34805-S8 Lockwasher-1/4"			
	26457-S7 Screw (stop light switch terminal)-No.8-32 x 1/4"	2	(Pass,Comm 1933-38)(Trucks 1932-38)	32-38
	34802-S7 Lockwasher-No. 8			
11A 13480	Switch (stop light)	1	Pass	39-48
		1	Comm,Trucks	39-47
81W 13481	Bracket (stop light switch)	1	COE	38
82Y 13481	Bracket (stop light switch)-with 3 speed transmission	1	122" 1 Ton Trucks	38
11A 13506	Lamp (luggage compartment)	1	Pass except Sportsman Coupe,Station Wagon	40-48
	B-13466 Bulb (luggage compartment lamp)	1	Pass	40-48
	24308-S7 Bolt (luggage compartment lamp to door)-1/4"-20 x 1/2"	1	Pass	40-48
	34390-S7 Locknut-1/4"-20			
51A 13506	Socket & wiring assy (rear deck lamp)	1	Sportsman Coupe	46-48
11A 13507	Link (rear lamp bracket control)	1	Station Wagon	41-48
81W 13511	Clamp & chain assy (stop light switch)	1	COE	38
	23379-S7 Bolt (switch clamp)-5/16"-24 x 3/4"	2	COE	38
	33798-S8 Nut-5/16"-24			
	34846-S2 Lockwasher-5/16"			
81W 13511	Clamp & chain assy (brake rod retracting spring)	1	COE (Refer to 2465)	38-47
BB 13512	Clamp (stop light switch chain)	1	Trucks	32-37
BB 13512	Clamp (emergency brake rod retracting spring clamp)	1	(COE 1938)(Trucks 1939-40)(Refer to 2864)	38-40
B 13514	Washer (stop light switch spring)-LHD	1	(Trucks1935-38)(Trucks 1940)(Pass 1942)	35-42
B 13514	Washer (brake pedal retracting spring)	1	Trucks except COE (Refer to 2472)	39
†B 13515	Spring (stop light switch)	1	Pass,Comm,Trucks	32-34
†51 13515	Spring (stop light switch)-LHD	1	Trucks	35-38
68 13520-A	Pad (rear lamp bracket to rear fender)	1or2	Pass except Sedan Delivery,Station Wagon, Convertible Sedan with Trunk	36
†78 13520	Pad (rear lamp bracket to rear fender)	1	Pass except Roadster,Phaeton,Cabriolet, Sedan Delivery	37
†81A 13520	Pad (rear lamp to fender)	1or2	Pass	38-39
01A 13529	Strap (rear lamp ground)	1	Station Wagon	40-41
81A 13532	Switch assy (head lamp dimmer)	1	Pass	38-40
		1	Comm,Trucks (Refer to 11653)	38-41
11A 13532	Switch assy (head lamp dimmer)-offset mounting bracket with screw type terminals	1	Pass	41-47
		1	Comm,Trucks	42-46
		1	COE (Refer to 11653)	42-47
8A 13532	Switch assy (head lamp dimmer)-foot control-flat mounting bracket with screw type terminals	1	Pass	47-48
		1	Comm,Trucks-(except COE)(Refer to 11653)	47

† No Longer Supplied

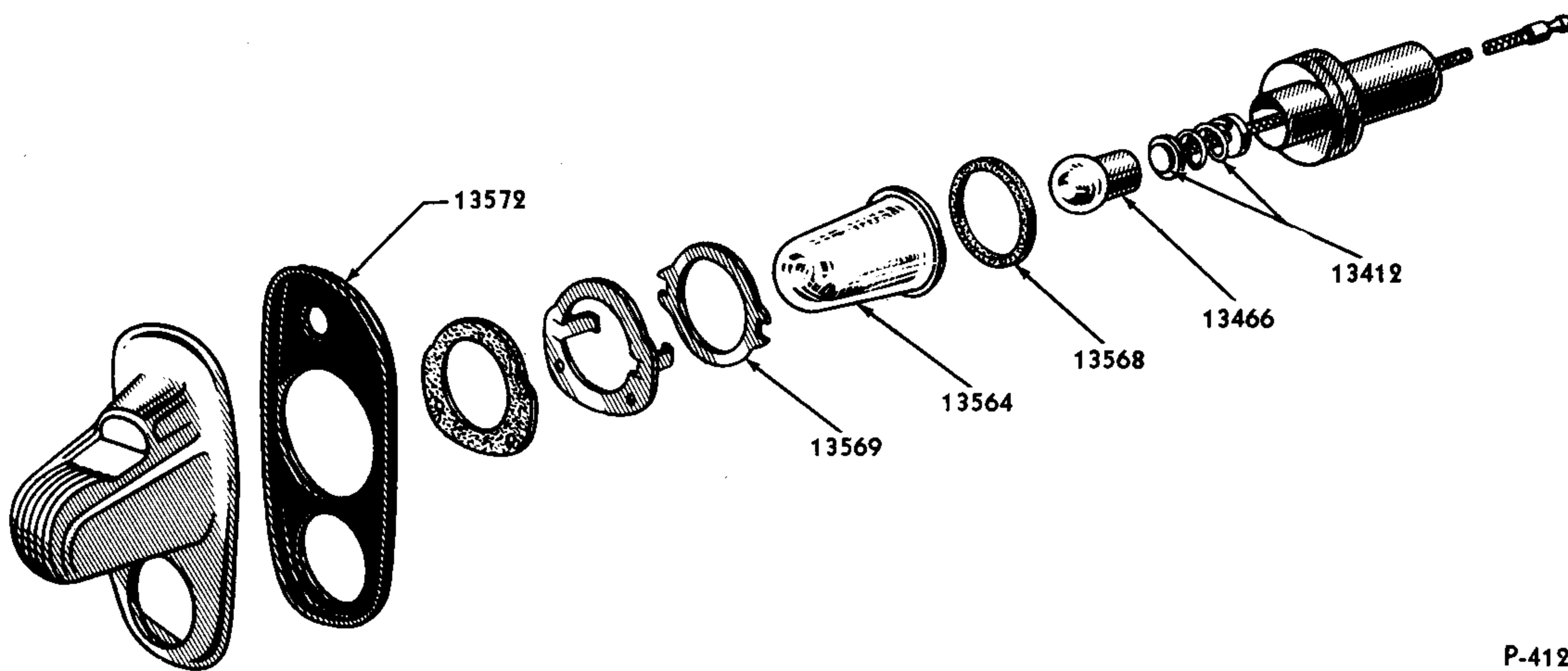


1938-39 PASSENGER

1940 PASSENGER

LICENSE PLATE LAMP

P-30



P-412

1941-48 PASSENGER LICENSE PLATE LAMP (11A-13550)

Basic numbers only shown on illustration. Order by Part Numbers shown in list of parts.

PART NUMBER	PART NAME	NO. REQ'D	MODEL	YEAR
License Plate Lamp				
81A 13550-A	Lamp (license plate)-has 4 studs	1	Pass	38
	23379-S7 Bolt (license plate lamp body mounting)-5/16"-24 x 3/4"	4	Pass	38
	33795-S2 Nut (license bracket to deck door)-1/4"-20	3	Std Coupe-with Pickup	38
	34846-S2 Lockwasher-5/16"	2	Std Coupe-with Pickup	38
†99A 13550	Lamp (license plate)	1	Pass	40
11A 13550	Lamp (license plate)	1	Pass except Sportsman Coupe, Station Wagon, Sedan Delivery	41-48

† No Longer Supplied



CHASSIS PARTS CATALOGUE

PART NUMBER	PART NAME	NO. REQ'D	MODEL	YEAR 19__
51A 13550	Lamp assy (license plate)	1	Sportsman Coupe	46-48
	81A 13412 Socket (license plate lamp)	1	Pass except Station Wagon, Sportsman Coupe, Sedan Delivery	38-48
	B-13466 Bulb (license plate lamp)-3 CP	1	Pass	38-48
	34390-S7 Locknut (license plate lamp to body)-1/4" -20	1	Pass	41-48
01A 13557	Spacer (deck door water seal)	1	Pass except Sedan Delivery, Station Wagon	40
81A 13560	Socket (license plate lamp & bracket)	1	Pass	38-39
	B-9295 Clip (license lamp wire on deck)	1	(Pass 1938)(Tudor, Fordor 1939)	38-39
91A 13564	Lens (license plate lamp)-White	1	Pass	38-39
99A 13564	Lens (license plate lamp)-White	1	Pass except Station Wagon & Sedan Delivery	40-48
81A 13566	Door (license plate lamp)	1	Pass	38
91A 13566	Door (license plate lamp)	1	Pass	39
81A 13567	Nut (license plate lamp to body)	1	Pass	38-39
+81A 13568	Gasket (license plate lamp lens)	1	Pass	38-39
+99A 13568-A	Gasket (license plate lamp white lens)-1.40" O.D.	1	Pass except Station Wagon & Sedan Delivery	40-48
99A 13569	Gasket (license plate lamp lens to reinforcement plate)-1 1/2" O.D.	1	Pass except Station Wagon & Sedan Delivery	40-48
81A 13572-A	Pad (rear license plate lamp mounting)	1	Pass	38-39
99A 13572	Pad (rear license plate lamp mounting)	1	Pass	40
11A 13572-A	Pad (rear license plate lamp mounting)	1	Pass except Station Wagon & Sedan Delivery (except 1942 Super DeLuxe)	41-48
21A 13572	Pad (rear license plate lamp mounting)	1	Pass-Super DeLuxe	42
	21A-13590-A Plate (rear license plate lamp trim)	1	Pass-Super DeLuxe	42
81A 13573	Gasket (license plate lamp body)	1	Pass	38-39

Headlamp Indicator Lamp

81A 13580-A	Socket (headlamp indicator light)	1	(Pass, Comm, Trucks 1938-39) (Pass 1940) (Sedan Delivery 1941)	38-41
81A 13580-A	Socket (headlamp indicator light)	1	COE	40-47
01C 13580	Socket (headlamp indicator light)	1	(Comm except Sedan Delivery) (Trucks except COE)	40-47
	48-15021 Bulb (headlamp indicator light) 1 CP, 6-8 volt	1 2	Pass Comm, Trucks	38-48 38-47
91A 13583	Shield (headlamp indicator light)	1	(Pass, Comm, Trucks 1938-39) (Pass 1940) (Sedan Delivery 1941)	39-41
91A 13583	Shield (headlamp indicator light)	1	COE	40-47
01C 13583	Shield (headlamp indicator light)	1	(Comm except Sedan Delivery) (Trucks except COE)	40-47
01C 13583	Shield (turn indicator light jewel)-on speedometer	1	Pass (Refer to 18440)	42-48
+81A 13586	Jewel (headlamp indicator light)	1	(Pass, Comm, Trucks 1938-39) (Pass 1940) (Sedan Delivery 1941)	38-41
+81A 13586	Jewel (headlamp indicator light)	1	COE	40-47
01C 13586	Jewel (headlamp indicator light)	1	Comm, Trucks except COE	40-47
01C 13586	Jewel (turn indicator light shield)-on speedometer	1	Pass (Refer to 18440)	42-48
21T 13586-B	Jewel (headlamp indicator light)-replaced by 01C 13586	1	(Comm except Sedan Delivery) (Truck except COE)	40-47
+21A 13590-A	Plate (rear license plate lamp trim)		Refer to 21A 13572 License Plate Pad	
+AA 13616	Plate assy (rear lamp plunger)	1	Trucks (Refer to A-13471-B)	31

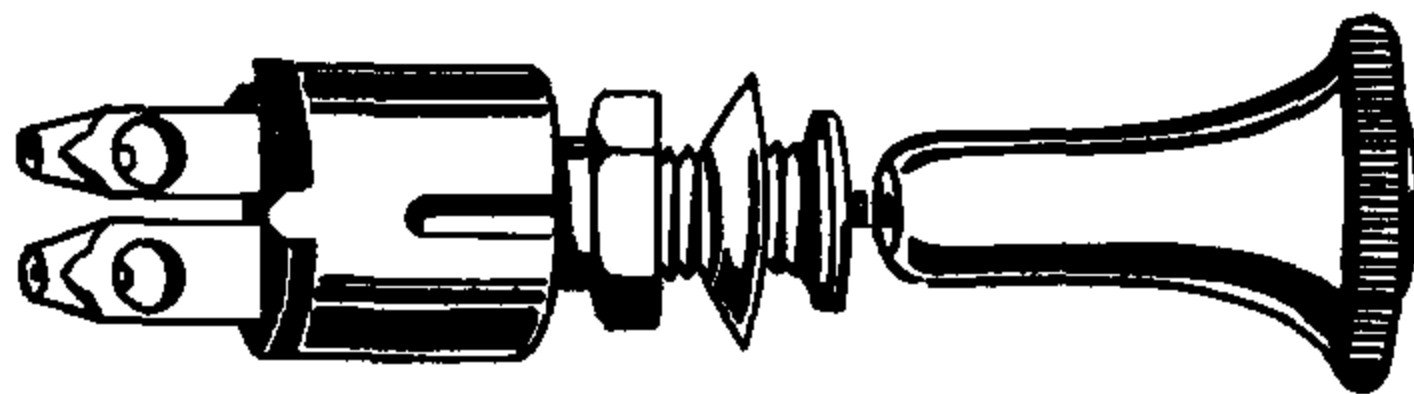
† No Longer Supplied

CHASSIS PARTS CATALOGUE

PART NUMBER	PART NAME	NO. REQ'D	MODEL	YEAR
-------------	-----------	-----------	-------	------

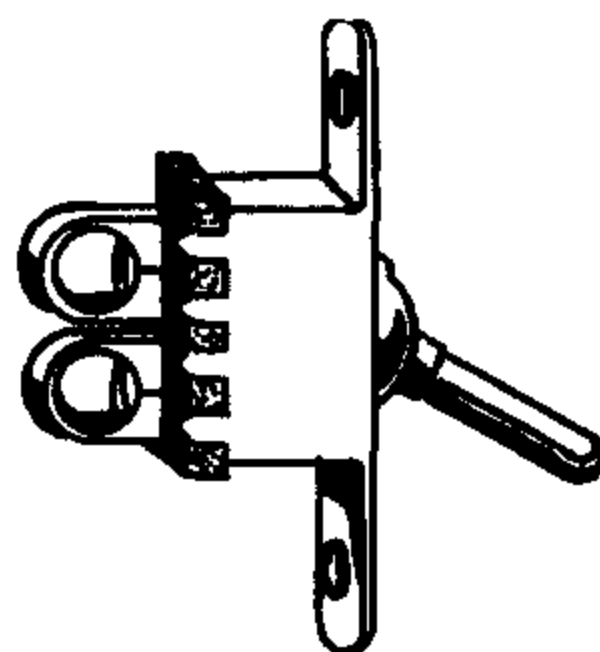
Instrument Panel Lamp

+A 13705-A	Lamp assy (instrument panel)-threaded type	1	Pass,Comm,Trucks	28-30
51A 13708	Wiring assy (dash & LH door switch) hyd. window	1	Sportsman (Refer to 14332)	46-48
46 13710	Socket & wiring assy (instrument panel lamp)	1	(Pass 1932)(Comm,Trucks 1932-34)(40-700, 720,730,740,770-1933-34)	32-34
48 13710	Socket & wiring (instrument lamp)	1	Pass,Comm,Trucks	35-39
99A 13710	Socket & wiring (instrument panel lamp)	1	Pass-DeLuxe	39
48 13720	Bracket (instrument lamp)	2	Pass,Comm,Trucks	35-39
40 13730	Bulb (instrument panel lamp)-6 CP-6-8 volt-single contact	1	Pass	33-34
40 13730	Bulb (dome lamp)-6 CP-6-8 volt-single contact-used in 68-13777-C	1	Pass,Comm,Trucks (Refer to 13777)	35-47
	48-15021 Bulb (instrument cluster)-1 CP-6-8 volt	2	(Pass 1940)(Comm,Trucks 1940-47)	40-47
	B-13466 Bulb (instrument panel lamp)-3 CP	1	Pass,Comm,Trucks	28-32
	B-13466 Bulb (instrument panel lamp)-3 CP	2	Pass,Comm,Trucks	35-39
	78-13466 Bulb (instrument cluster)-2 CP	2or4	Pass	41-48
+46 13732	Support assy (instrument panel lamp bracket)	1	BB-830,46-800	33-34

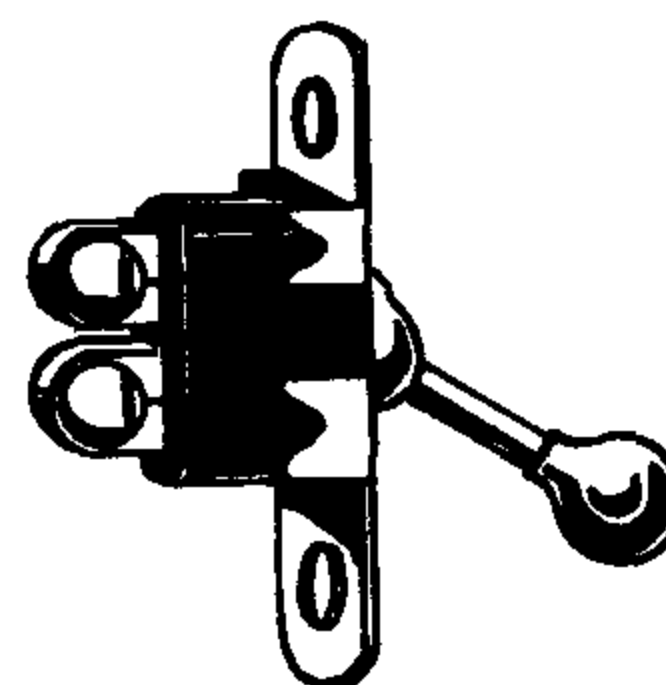


18-13740

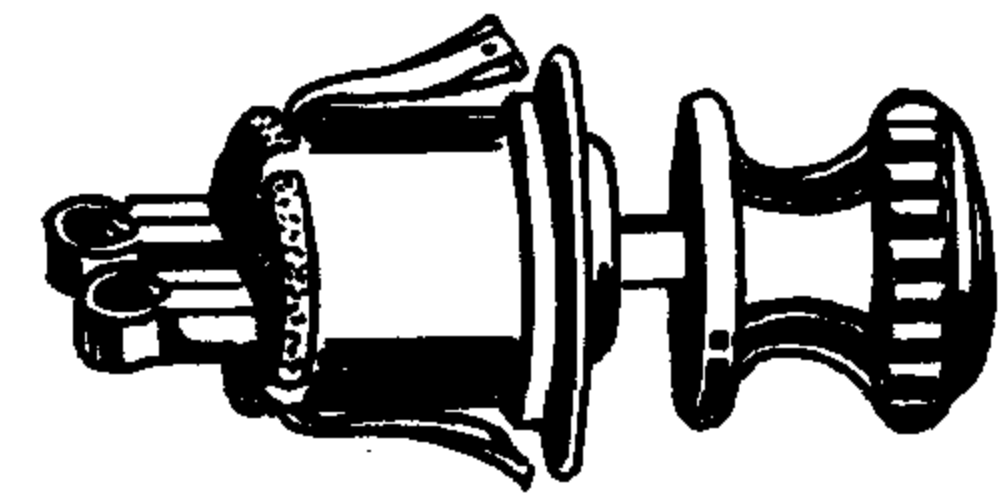
18-13741



40-13740



50-13740



78-13740

P-161

+18 13740	Switch (instrument panel lamp)	1	Pass,Comm,Trucks	32
	33800-S2 Nut (switch to instrument panel)-3/8"-24	1	Pass,Comm,Trucks	32
	351442-S2 Washer (switch to panel)	1	Pass,Comm,Trucks	32
40 13740	Switch (instrument panel lamp)-repl. by 21C 13740	1	Pass	33-34
50 13740	Switch (instrument panel lamp)-replaced by 21C 13740	1	(Pass 1933-35)(Comm,Trucks 1933-39)(Pass except 1939 DeLuxe 1938-39)(Closed Cabs, Panels 1940-44)	33-44
78 13740	Switch assy (instrument panel lamp)	1	Pass (except 1939 Station Wagon)	35-37
	36799-S7 Screw (switch to belt rail)-No. 8-32 x 3/8"	2	(Pass 1933-34)(Comm,Trucks 1935-37)	33-37
	34822-S7 Lockwasher-No. 8			
11A 13740-B	Switch (instrument panel lamp)	1	Pass-Special	41
11A 13740-C	Switch (instrument panel lamp)-repl. by 19A 13740	1	Pass except Specials	41
11A 13740-D	Switch (instrument panel lamp)	1	Pass-Special	41
19A 13740	Switch (instrument panel lamp)	1	Pass,except Specials	41
21C 13740	Switch (instrument panel lamp)	1	(Pass 1933-34)(Pass except 1939 DeLuxe 1938-39)(Closed Cabs 1937)(Comm,Trucks 1938-47)	33-47
	36799-S7 Screw (switch to instrument panel)-No.8 -32 x 1/4"	2	(Pass 1933-48)(Comm,Trucks 1933-47)	33-48
	34822-S7 Lockwasher-No. 8			
21C 13740	Switch (hot air heater blower)	1	Pass (Refer to Hot Air Heater)	38
29A 13740	Switch (instrument panel lamp)	1	Pass except 1939 Std,Sedan Delivery	39-48
+18 13741	Knob (instrument panel lamp switch)	1	Pass,Comm,Trucks	32

† No Longer Supplied



CHASSIS PARTS CATALOGUE

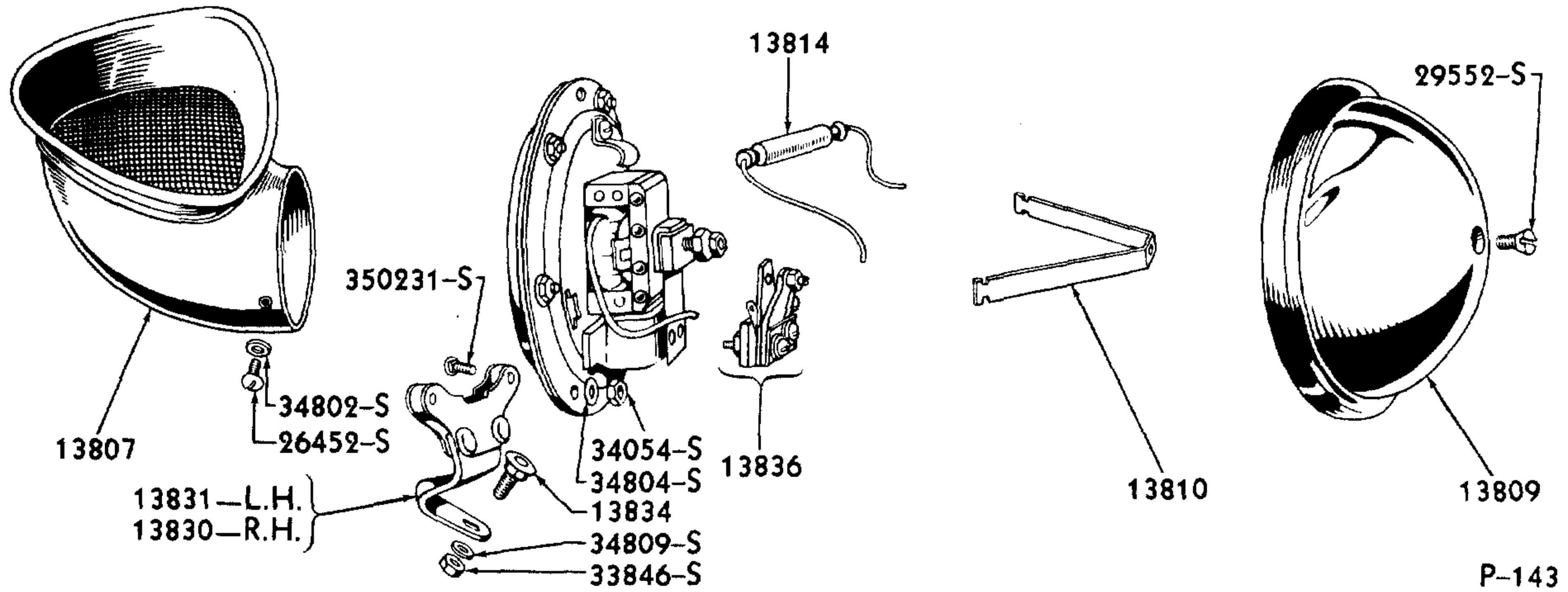
PART NUMBER	PART NAME	NO. REQ'D	MODEL	YEAR 19__
Dome Lamp				
B 13752-A	Switch (dome lamp)	1	(Pass 1930-37)(Comm 1937)(Truck with platform 1937)(Tudor & Fordor Sedan, 5-window Coupe, Sedan Delivery 1938-40) (Club Coupe 1938)	30-40
09A 13770-A	Escutcheon (dome lamp switch)	1	(Pass 1930-37)(Panels 1935-37)	30-37
09A 13770-A	Escutcheon (dome lamp switch)	1	(Pass except Convertible Coupe, Sedan Delivery, Station Wagon 1940)(Sedan Delivery 1941)	40-41
B 13776	Lamp assy (dome)-oval	1	Pass, Comm, Trucks	32
11A 13776-A	Lamp (dome)-with switch-repl. by 51A 13776-A	1	Pass	41
51A 13776-A	Lamp (dome)-with switch-RH	1	Pass except Convertible Coupes, Sedan Delivery, Station Wagons	42-48
68 13777-C	Lamp assy (dome)-with integral switch-chrome plate rim	1	(Pass, Comm, Trucks 1935-37) (Panels, Sedan Delivery, Station Wagon 1938-47) (Comm, Trucks 1941-47)	35-47
	40-13730 Bulb (dome lamp)-6 CP-6-8 volt-single contact	1	(Pass, Comm, Trucks 1935-37)(Panels, Sedan Delivery, Station Wagon 1938-47)(Comm, Trucks 1941-47)	35-47
	33000-S13 Screw (escutcheon plate to pillar)-No. 6 x 3/4"	2	Tudor, Fordor	35-37
68 13777-D	Lamp assy (dome)-round-Use with pillar switch	1	(Pass, Comm 1931-36) (Trucks 1932-37)	31-37
77 13777	Lamp assy (dome)-in windshield header	1	Closed Cabs & Panels (DeLuxe)	37
	32856-S6 Screw (dome lamp to windshield header cover)-No. 6 x 1/2"	2	Closed Cabs	37
	26457-S7 Screw (dome lamp switch to windshield header cover plate)-No. 8 -32 x 1/4"	2	Closed Cabs & Panels (DeLuxe)	37
	34822-S7 Lockwasher-No. 8			
09A 13777-A	Lamp (dome)	1 or 2	Pass-Closed except Station Wagon	37-40
11A 13777	Lamp (dome)-without switch	1	Pass	41
21A 13777-B	Lamp (dome)-LH-replaced by 51A 13777-A	1	Pass except Station Wagon	42
51A 13777-A	Lamp (dome)-without switch-LH	1	Pass except Convertible Coupes, Sedan Delivery, Station Wagons	42-48
78 13778	Body (parking lamp)		Refer to 01T-13210	



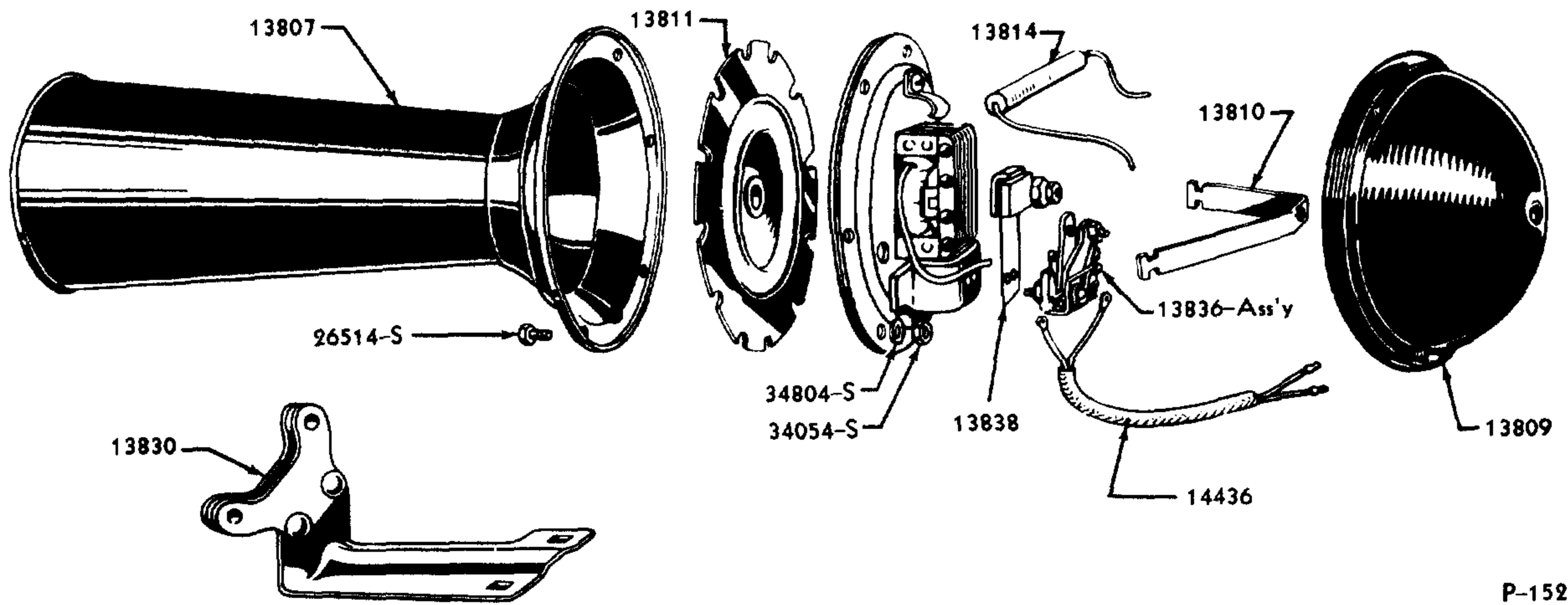
CHASSIS PARTS CATALOGUE

PART NUMBER	PART NAME	NO. REQ'D	MODEL	YEAR 19__
†A 13779-D	Lens & rim assy (dome lamp)	1	A-130A,B,155C,155D,170B DeLuxe	29-31
81A 13779	Door (dome lamp)-repl. by 09A 13777-A	1	Pass except Station Wagon	37-39
† A 13780	Lens & rim assy (dome lamp)	1	A-135A	28-31
B 13783-A	Lens (dome lamp)-round	1or2	Pass,Comm	32-37
B 13783-A	Lens (dome lamp)-used with 68-13777-C	1 1	Pass (Comm,Trucks 1935-37)(Panel,Sedan Delivery,Station Wagon 1938-47)(Comm, Trucks 1941-47)	35-48 35-47
81A 13783	Lens (dome lamp)-oval	1	Pass	38
11A 13783-B	Lens (dome lamp)-round	1	Station Wagon	41-42
B 13784	Retainer (dome lamp lens)-Used with round lens	1or2	Pass,Comm	32-37
B 13784	Retainer (dome lamp lens)-used with 68-13777-C	1	(Pass,Comm,Trucks 1935-37)(Panel,Sedan Delivery,Station Wagon 1938-47)(Comm, Trucks 1941-47)	35-48
B 13784	Retainer (rear lamp)-red lens	1	(Pass 1928-32)(5 window Coupe Std 1938) (Station Wagon 1935-42)(Closed Cab 1929-44)(Refer to B-13450)	28-44
B 13784	Retainer (rear lamp)-red lens	1	(Pass 1929-32)(Comm 1929-37)(Trucks 1932-37)(Station Wagon 1935-37)(Refer to 21A 13450)	29-37
78 13784	Retainer (dome lamp lens)	1or2	Pass except Station Wagon	39
78 13784	Retainer (parking lamp lens)	2	(COE 1942-47)(Trucks 1940-41) (Refer to 01T-13210)	40-47
91A 13785-A	Gasket (parking lamp lens retainer)	2	(COE 1942-47)(Trucks 1940-41)(Refer to 01T 13210)	40-47
91A 13785-A	Gasket (parking lamp lens retainer)	2	Pass-Std,Comm (Refer to 01A 13082)	40
B 13799	Bulb (dome lamp)-15 CP	1	Pass,Comm	28-31
B 13799	Bulb (dome lamp)-15 CP	1	Panels,Sedan Delivery	35-47
B 13799	Bulb (engine compartment lamp)-15 CP	1 1	Pass Comm,Trucks except COE (Refer to Engine Compartment Lamp Group)	37-48 42-47
	B-13466 Bulb (dome lamp)-3 CP	1	(Pass 1928-48)(Comm,Trucks 1928-47)	28-48

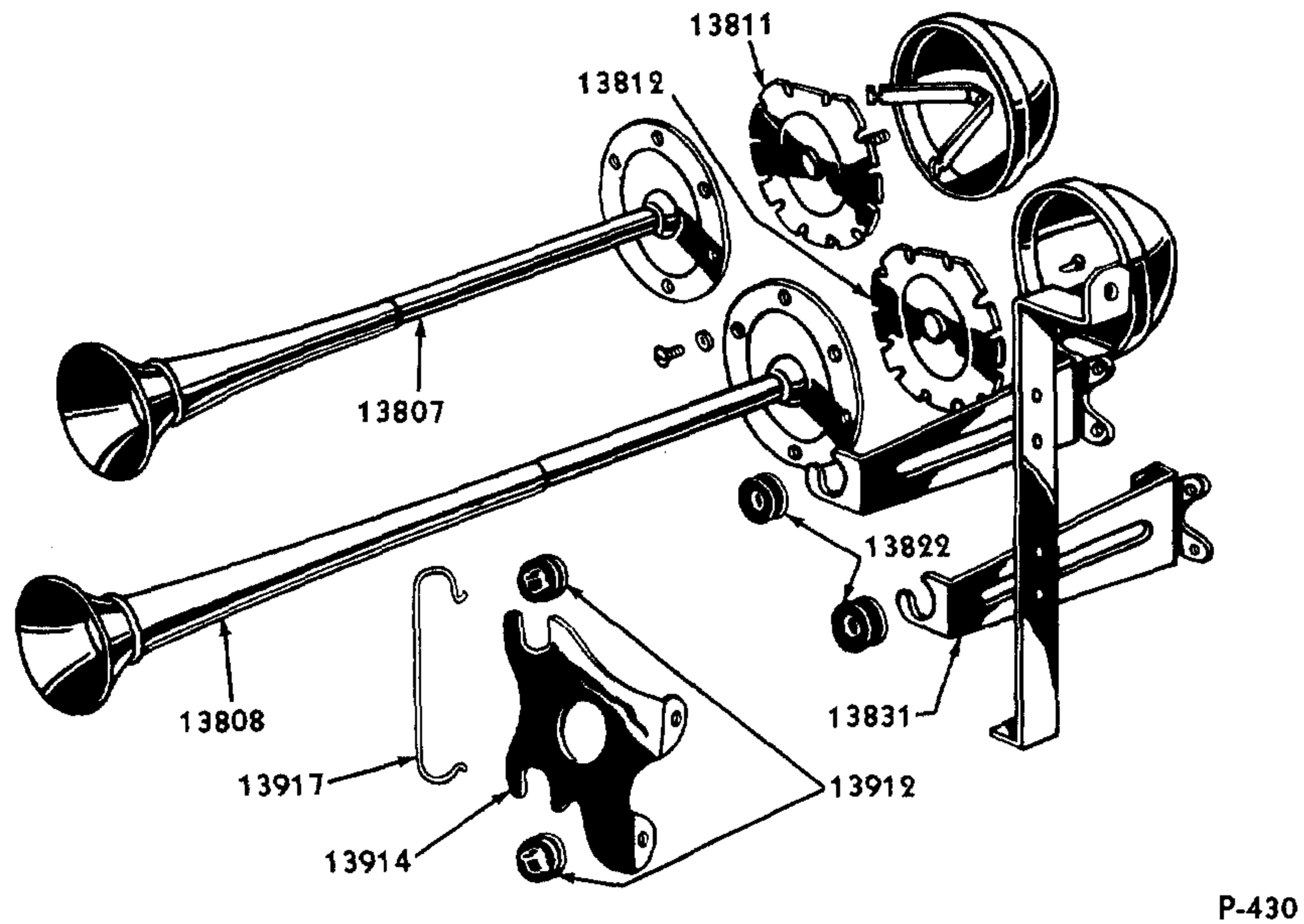
† No Longer Supplied



1933-34 PASSENGER HORN

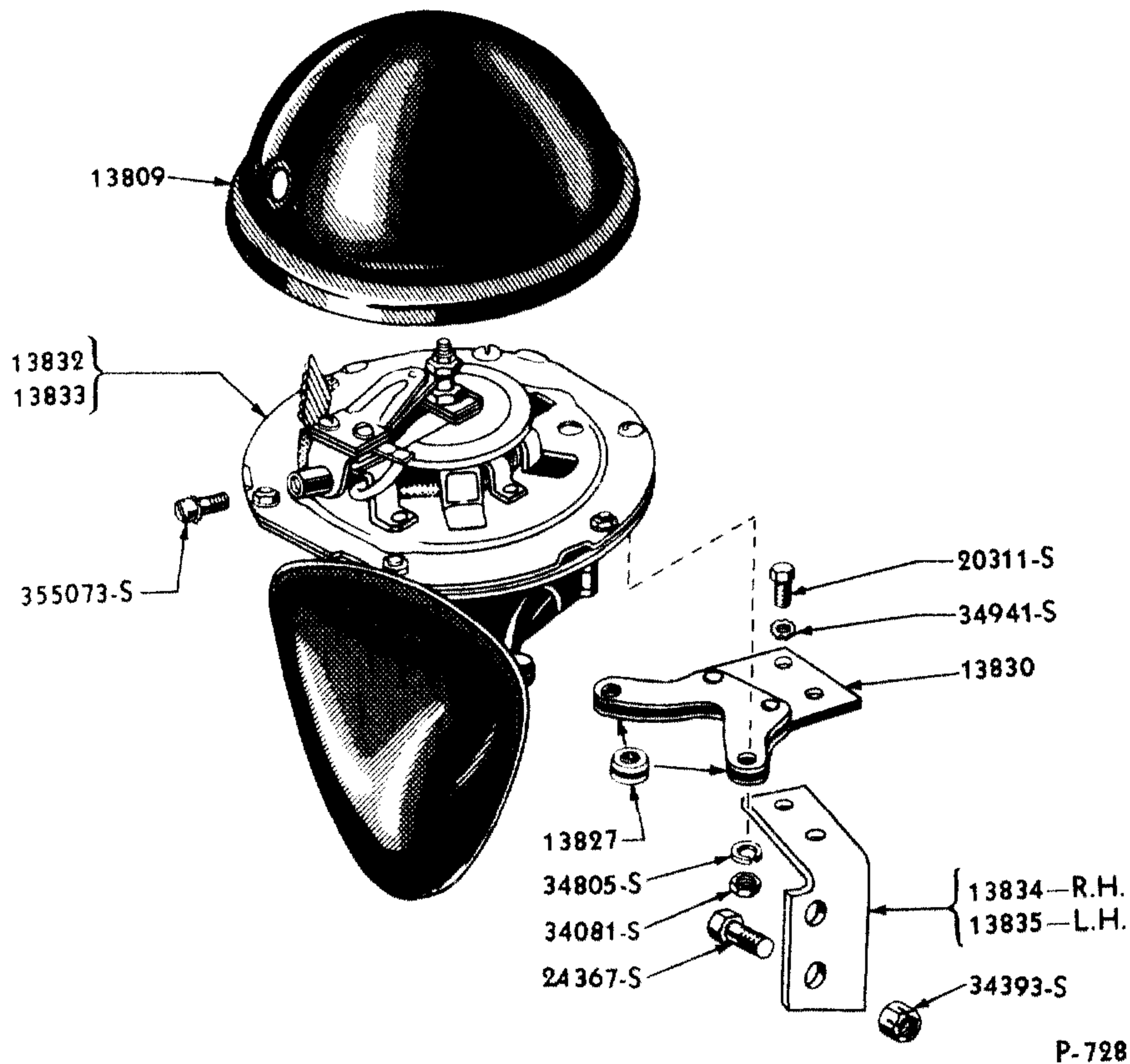


1937-38 PASSENGER HORN

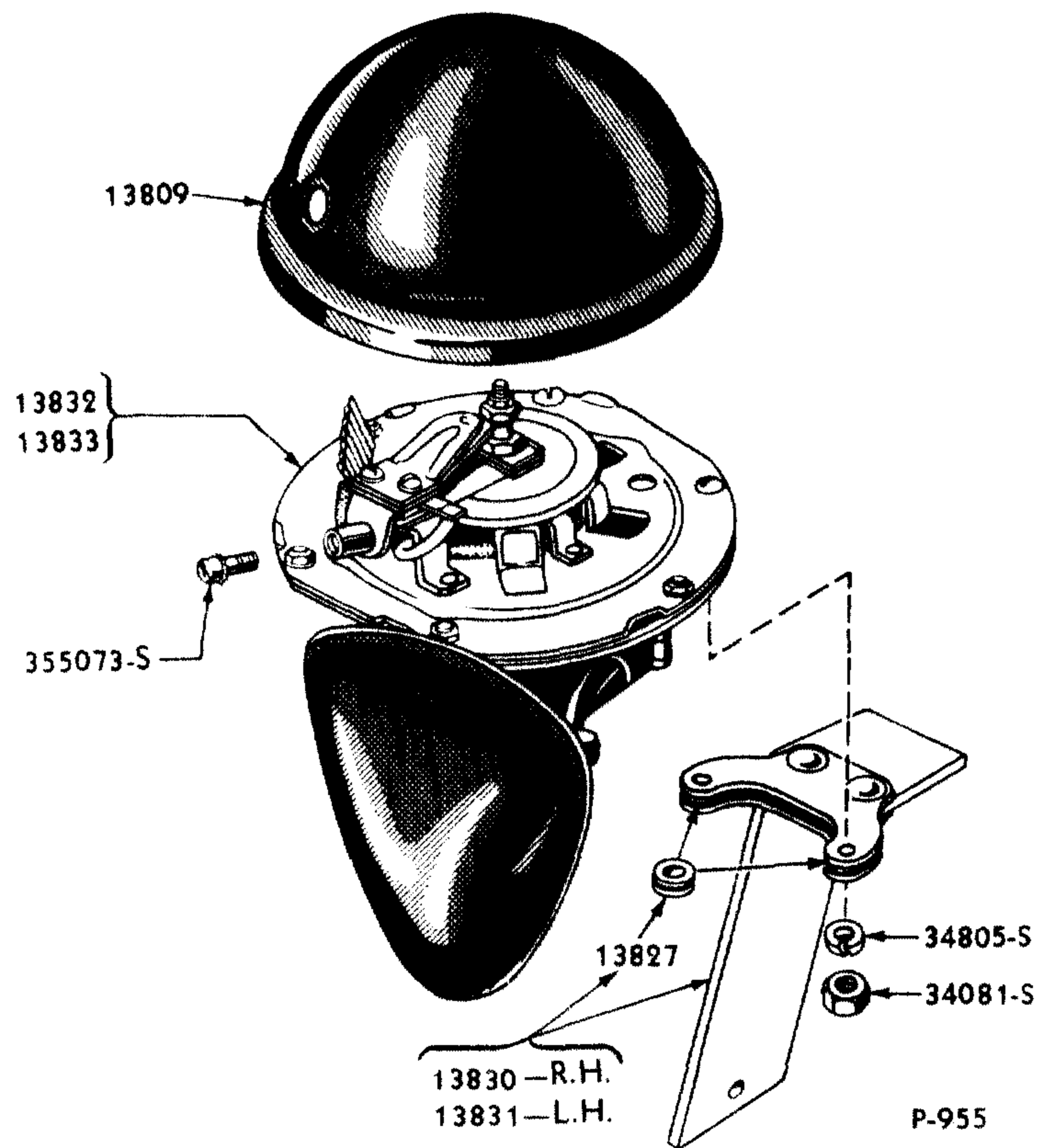


1939 PASSENGER HORN

Basic numbers only shown on illustration. Order by Part Numbers shown in list of parts.



1946-48 PASSENGER HORN



1946-48 PASSENGER HORN

Basic numbers only shown on illustration. Order by Part Numbers shown in list of parts.



CHASSIS PARTS CATALOGUE

PART NUMBER	PART NAME	NO. REQ'D	MODEL	YEAR 19__
Horn				
†A 13801	Bracket & spring assy (horn)-Use with B-13803-B	1	Pass, Comm, Trucks	28-31
†B 13801	Bracket & spring assy (horn)-Use with B-13803-B	1	Pass, Comm, Trucks	32
46 13801	Bracket & spring assy (horn)	1	Comm, Trucks	33-34
	26514-S2 Screw (bracket to horn)-No. 12-24 x 3/4"	2	Pass, Comm, Trucks	28-35
	34054-S8 Nut-No. 12-24			
77 13801-A	Horn & bracket assy-RH-replaced by 51T 13823-D	1	Closed Cab, Panel (DeLuxe)	37
77 13802-A	Horn & bracket assy-LH-Black	1	(Comm-Std 1937)	37
		1	(Closed Cab, Panel-Deluxe-1937)	37
11A 13802	Horn & bracket-replaced by 51A 13823	1	Pass-Special	41-42
B 13803-B	Horn assy-less bracket-vibrator design-replaced by 51A-13823 or 51T-13823-C	1	(Pass 1928-32)(Comm, Trucks 1928-34)	28-34
	350230-S2 Bolt (horn flange)-No. 12-24 x 19/32"	2	Pass, Comm, Trucks	28-32
	350231-S2 Bolt (horn flange) - No. 12-24 x 1/2"	4	Pass, Comm, Trucks	28-32
	34054-S8 Nut-No. 12-24			
	34804-S8 Lockwasher-No. 12			
†B 13805-A	Bracket (horn)	1	Pass, Comm, Trucks	32
B 13806	Contact & spring (horn fixed)-replaced by 51A 13823	1 or 2	Pass, Comm, Trucks	38
B 13806	Contact & spring (horn fixed)-replaced by 51A-13823	1	Comm, Trucks	41-47
B 13807	Projector assy (horn)	1	Pass, Comm, Trucks	28-32
48 13807-A	Projector assy (horn)-Black	1	(Pass 1933-35)(Comm, Trucks 1935-36)	33-36
48 13807-B	Projector assy (horn)-chrome	2	(Pass 1933-35)(Comm 1935-36)	33-36
68 13807	Projector (horn)	1 or 2	Pass	36
78 13807	Projector (horn)	1	(Pass 1937)(Pass-Std, Sedan Delivery 1938)(Trucks 1937-38)	37-38
	26514-S2 Screw (projector to horn)-No. 12-24 x 3/4"	2	(Pass, Comm, Trucks)	35-37
	34804-S8 Lockwasher-No. 12			
	34054-S8 Nut-No. 12-24			
	26452-S7 Screw (projector to horn)-No. 8-32 x 3/16"	3	Pass, Comm, Trucks	33-35
	34802-S7 Lockwasher-No. 8			
81A 13807	Projector & front cover plate (horn)-RH-for high pitch horn	1	Pass-DeLuxe	38
91A 13807	Projector & front cover (horn)-high pitch-short	1	Pass except Special (8 cyl)	39-47
11A 13807	Projector & front housing assy (horn)-overall length of 14.88"	1	Pass (8 cyl)	39-47
†40 13808-B	Screen (horn projector)-chrome	2	Pass	33-34
81A 13808	Projector & front cover plate (horn)-LH-for low pitch horn	1	Pass-DeLuxe	38
91A 13808	Projector & front cover (horn)-low pitch-overall length 19.9"	1	Pass except Special (8 cyl)	39-47
11A 13808-A	Projector & front housing assy (horn)-low pitch-overall length 19.25"	1	Pass (8 cyl)	39-47
11A 13808-B	Projector & front housing assy (horn)-low pitch-overall length 13.06"	1	Pass (8 cyl)	39-47
†B 13809-A	Cover (horn motor)-Use with motor driven horn	1	Pass, Comm, Trucks	32
	26512-S2 Screw (cover to horn motor plate)-No. 8-32 x 3/4"	1	Pass, Comm, Trucks	28-32
	34802-S7 Lockwasher-No. 8			
†B 13809-C	Cover (horn motor)-Black	1	(Pass 1932-46)(COE 1939-40)(Comm, Trucks 1941-46)	32-46

† No Longer Supplied



CHASSIS PARTS CATALOGUE

PART NUMBER	PART NAME	NO. REQ'D	MODEL	YEAR 19__
40 13809	Cover assy (horn motor)-chrome plated	2	112" Panel Delivery	36
11A 13809	Cover (horn motor)-5.04" I.D. used with 11A-13832-A & 11A-13833-B horn assy	1	Pass (8 cyl)	39-47
	29552-S13 Screw (horn cover retaining)-No. 8-32 x 3/8"	1	Pass,Comm,Trucks	32-47
51A 13809-A	Cover assy (horn motor)-sea shell type-with 2 rivets at wire outlet hole-spherical with raised shoulder	2	Pass	46-48
51A 13809-B	Cover assy (horn motor)-sea shell type-raised edges in three places & spherical	2	Pass	46-48
	355073-S7 Screw (terminal on horn cover)-No.8-32 x 5/16"	2		46-48
†B 13810	Support (horn cover)	1	(Pass 1932-38)	32-40
†B 13810	Support (horn cover)	1	Comm,Trucks	32-47
11A 13810	Support (horn cover)	1	Pass (8 cyl)	39-47
B 13811	Diaphragm assy (horn)-replaced by 78 13811-A	1	Pass,Comm,Trucks	32
78 13811-A	Diaphragm (horn)-high pitch	1	Pass except 1937 Std	33-37
81A 13811-A	Diaphragm (horn)-high pitch-painted Gray with an Orange spot	1	Pass	38-47
81A 13811-B	Diaphragm (horn)-high pitch-for air electric design-replaced by 81A 13811-A	1	Pass (8 cyl)	38-42
78 13812	Diaphragm (horn)-low pitch	1	(Pass 1933-38)(Comm,Trucks 1938-47)	33-47
81A 13812-A	Diaphragm (horn)-painted Black with an Orange spot-replaced by 51A-13823	1	Pass	38-47
81A 13812-B	Diaphragm (horn)-low pitch-for air electric design-replaced by 51A 13823	1	Pass (8 cyl)	38-42
B 13814	Condenser (horn)	1 or 2	(Pass except 1938 DeLuxe 1932-38)(COE-1939-40)(Comm,Trucks 1941-47)	32-47
11A 13817	Gasket (horn diaphragm)	1	Pass (8 cyl)	39-47
†B 13818	Spring (horn motor brush)	2	Pass,Comm,Trucks	28-32
	31628-S7 Screw (horn adjusting)-for vibrator type-No. 10-32 x 5/8"	1	Pass,Comm	28-32
81A 13820	Support (horn projector)-RH	1	Pass-DeLuxe (90 HP)	38
81A 13821	Support (horn projector)-LH	1	Pass-DeLuxe (90 HP)	38
81A 13822-A	Grommet (horn projector support)	1	Pass-DeLuxe & Super DeLuxe	38-47
11A 13822	Grommet (horn projector support)	1	Pass (8 cyl)	39-47
51A 13823	Kit (horn & brackets)-6 volt-sea shell type-double horn-includes horn relay & attaching parts	1	Pass	32-48
51T 13823-A	Kit (horn & brackets)-12 volt-sea shell type-double horn-includes horn relay & attaching parts	1	Trucks	32-47
51T 13823-B	Kit (horn & brackets)-12 volt-projector type-single horn-includes attaching parts	1	Trucks	32-47
51T 13823-D	Kit (horn & brackets)-6 volt-projector type-single horn-includes attaching parts	1	Trucks	32-47
51T 13823-E	Kit (horn & bracket)-12 volt-projector type-single horn-includes attaching parts	1	Comm,Trucks	32-47
	27195-S7 Screw (horn kit)-round head-1/4" -28 x 1 3/4"	2	Pass,Trucks	32-48
	34081-S7 Nut (horn kit)-1/4" -28	2	Pass,Trucks	32-48
	34805-S8 Lockwasher (horn kit)-1/4"	2	Pass,Trucks	32-48

† No Longer Supplied



CHASSIS PARTS CATALOGUE

PART NUMBER	PART NAME	NO. REQ'D	MODEL	YEAR 19__
51A 13827-A	Spacer (horn bracket spring)-2.34" thick & groove on circumference for identification-sea shell type horn	4	Pass	46-48
51A 13827-B	Spacer (horn bracket spring)-.16" thick-flat-sea shell type horn	4	Pass	46-48
68 13828-B	Bracket (electric air horn)	1	Pass	36
40 13830	Bracket & spring assy (horn)-RH-replaced by 51A 13823	1	Pass	33-34
48 13830	Bracket & spring assy (horn)-RH-replaced by 51A 13823	1	Pass	35
50 13830	Bracket & spring assy (horn)-RH	1	Comm, Trucks	35-36
†77 13830	Bracket & spring assy (horn)-RH	1	Closed Cab, Panel	37
78 13830	Bracket & spring assy (horn)-for single horn	1	Pass-Std	37
79 13830	Bracket & spring assy (horn)-RH	1	Trucks	37
81A 13830	Bracket & spring assy (horn)	1	Pass-DeLuxe	38
81C 13830	Bracket & spring assy (horn)	1	Comm	38-39
81T 13830	Bracket & spring assy (horn)	1	Truck except COE	38-39
81W 13830	Bracket & spring assy (horn)	1	COE	39-40
01T 13830-A	Bracket & spring assy (horn)	1	Comm, Trucks 1940-47)(Pass-Special 40-42)	40-47
	24325-S8 Bolt (horn bracket to frame)-1/4"-28 x 5/8"	2	COE	39-40
	24367-S8 Bolt (horn bracket to frame)-5/16"-24 x 7/8	2	Comm, Trucks	40-47
	350476-S2 Bolt (horn bracket to frame)-5/16"-24 x 7/8"	2	Comm, Trucks except COE	39-40
	33798-S8 Nut-5/16"-24			
	34805-S8 Lockwasher-1/4"			
	34846-S2 Lockwasher-5/16"			
	33796-S7 Nut-1/4"-28			
	24324-S7 Bolt (horn brackets to frame cross member)-1/4"-20 x 5/8"	2	COE	39-47
	33795-S7 Nut-1/4"-20			
51T 13830	Bracket & spring assy (horn)-6 volt-projector type horn-used in 51T 13823 B,C Kits	1	Trucks	32-47
6A 13830-A	Bracket & spring assy (horn)-RH-rounded ends on spring -sea shell type horn	1	Pass	46-48
	34081-S7 Nut (horn bracket to horn)-1/4"-28	2	Pass	46-48
	34805-S8 Lockwasher-1/4"			
40 13831	Bracket & spring assy (horn)	1	Pass, Sedan Delivery	33-34
48 13831	Bracket & spring assy (horn)-replaced by 51A 13823	1	Pass	35
50 13831	Bracket & spring assy (horn)-replaced by 51T 13823-C	1	Comm, Trucks	35-36
†68 13831	Bracket & spring assy (horn)	1	Pass	36
78 13831	Bracket & spring assy (horn)-for two horns-replaced by 51A-13823	1 or 2	Pass-DeLuxe	37
79 13831	Bracket & spring assy (horn)-LH-replaced by 51A-13823	1	Trucks	37

† No Longer Supplied



CHASSIS PARTS CATALOGUE

PART NUMBER	PART NAME	NO. REQ'D	MODEL	YEAR
81A 13831	Bracket & spring assy (horn)-LH	1	Pass-DeLuxe	38
91A 13831	Bracket & support assy (horn)-replaced by 51A-13823	1	(Pass 1939-40)(Sedan Delivery 1941)	39-41
†11A 13831-B	Bracket & support assy (horn)-used with apron to bracket spacer-11A 13918 or 11A 13919	1	Pass-DeLuxe & Super DeLuxe (8 cyl)	41-42
11A 13831-C	Bracket & support assy (horn)-used with 11A-13832-A horn	1	Pass (8 cyl)	39-47
11A 13831-D	Bracket & support assy (horn)-used with 11A-13833-C horn	1	Pass (8 cyl)	39-47
	24324-S2 Bolt (horn bracket spacer to fender apron)-1/4"-20 x 5/8"	1	(Pass 1940-42)(Comm 1941) (8 cyl)	40-42
	20357-S2 Bolt (horn bracket to frame & reinforcement)-5/16"-24 x 13/16"	1or2	Pass	42
	24367-S7 Bolt (horn bracket to horn upper & lower bracket)-5/16"-24 x 7/8"	3	Station Wagon	42
	350498-S2 Bolt (horn bracket to fender apron)-5/16"-24 x 3/4"	1	Pass	39-40
	20357-S2 Bolt (horn to fender bracket)-5/16"-24 x 13/16"	2or4	Pass	36
	Bolt (horn bracket to frame)-5/16"-24 x 13/16"	1	Pass	39-40
	23394-S2 Bolt (horn bracket to frame)-5/16"-24 x 7/8"	3	Pass	37-38
	26514-S2 Screw (horn bracket to horn)-No. 12-24 x 3/4"	1or2	(Pass 1935-37)(Comm, Trucks 1935-36)	35-37
	350231-S2 Bolt (horn bracket to horn)-No. 12-24 x 1/2"	4	(Pass 1933-36)(Trucks 1935-36)	33-36
	350476-S2 Bolt (horn bracket to frame)-5/16"-24 x 7/8"	2	(Pass 1937-38)	
	34054-S8 Nut-No. 12-24			
	33795-S7 Nut-1/4"-20			
	33798-S8 Nut-5/16"-24			
	34804-S8 Lockwasher-No. 12			
	34805-S8 Lockwasher-1/4"			
	34846-S2 Lockwasher-5/16"			
5GA 13831-A	Bracket & support assy (horn)-mounted on right side	1	Pass (6 cyl)	46-47
5GA 13831-B	Bracket & support assy (horn)-used with 5GA-13832-3 horn	1	Pass (6 cyl)	41-47
6A 13831-A	Bracket & spring assy (horn)-IH-sea shell type-rounded ends on spring	1	Pass	46-48
	24347-S8 Bolt (horn bracket to fender apron)-5/16"-24 x 3/4"	2	Pass	46-48
	34393-S7 Locknut-5/16"-24			
48 13832-C	Horn assy-less bracket-RH-painted-replaced by 51T-13823	1	(Pass, Comm, Trucks 1933-35) (Closed Cab, Panel-Standard 1936-37)	33-37
78 13832	Horn assy-less bracket-RH-replaced by 51A-13823	1	Pass-DeLuxe	36-37
†H 13832	Horn assy (electric air)-RH-less bracket	1	Pass	36

† No Longer Supplied



CHASSIS PARTS CATALOGUE

PART NUMBER	PART NAME	NO. REQ'D	MODEL	YEAR 19__
81A 13832-A	Horn assy-less bracket-RH-high pitch vibrator type	1	Pass-Std	38
81A 13832-B	Horn assy-less bracket-RH-high pitch air electric design	1	Pass-DeLuxe	38
91A 13832	Horn assy-less bracket-high pitch with straight projector-replaced by 11A 13832-B	1	Pass except Special	39-47
11A 13832-A	Horn assy-high pitch-straight projector-overall length 17.55"	1	Pass (8 cyl)	39-47
11A 13832-B	Horn assy-high pitch-straight projector-overall length 15.72"	1	Pass (8 cyl)	39-47
1GA 13832-B	Horn assy-less bracket-high pitch-with curled projector-replaced by 11A 13832-B	1	Pass (6 cyl)	41-42
51A 13832-A	Horn assy-high pitch-6 volt-sea shell type-with 2 rivets at wire outlet hole on horn cover-also used in 51A 13823 Kit	1	Pass	46-48
51A 13832-B	Horn assy-less bracket-high pitch-embossed in 3 places on edge of horn cover	1	Pass	46-48
59B 13832	Horn assy-high pitch-12 volt-sea shell type	1	Trucks	32-40
5GA 13832	Horn assy-6 volts-overall length 15.72"	1	Pass (6 cyl)	46-47
48 13833-A	Horn assy-replaced by 51A 13823	1	(Pass 1934-35)(Comm,Trucks 1937)	34-37
48 13833-B	Horn assy-less bracket-IH-chrome-replaced by 51A 13823	1	(Pass 1934-35)(Sedan Delivery 1934) (Comm Panel 1936)(Closed Cabs & Panels DeLuxe 1937)	34-37
48 13833-C	Horn assy-less bracket-IH-painted-replaced by 51A 13823	1 1	(Pass 1933-35)(Sedan Delivery 1934) (Comm,Trucks 1936-37)	33-37
78 13833-A	Horn assy-less bracket-replaced by 51A-13823	1	(Pass 1937)(Comm & Trucks except Sedan Delivery)	37-47
78 13833-B	Horn assy-less bracket-IH-replaced by 51A-13823	1	(Pass-DeLuxe 1936-37)(Comm except DeLuxe Closed Cab & Panel 1937)	36-37
†H 13833	Horn assy (electric air)-less bracket-IH	1	Pass	36
81A 13833-A	Horn assy-less bracket-LH-low pitch vibrator type	1	Pass-Std	38
81A 13833-B	Horn assy-less bracket-LH-low pitch air electric design	1	Pass-DeLuxe	38
91A 13833	Horn assy-less bracket-low pitch-with straight projector-replaced by 11A-13833-C	1	Pass	39-47
01T 13833-A	Horn assy-less bracket-6 volt-projector overall length 11.6"-replaced by 51T 13823-D	1	Comm,Trucks	40-47
01T 13833-B	Horn assy-less bracket-6 volt-projector overall length 9.77"-replaced by 01T 13833-A	1	Comm,Trucks	40-47
11A 13833-A	Horn assy-less bracket	1	(Pass-Special 1941-42)(Pass-8 cyl 1947)	41-47
11A 13833-B	Horn assy-less bracket-low pitch-straight projector-overall length 21.92"	1	Pass (8 cyl)	39-47
	11A-14436-C Wire (horn assy)-length 11.25"-used with 11A-13833-B horn	1	Pass (8 cyl)	39-47
11A 13833-C	Horn assy-low pitch-straight projector-overall length 18.96"	1	Pass (8 cyl)	39-47
1GA 13833-B	Horn assy-less bracket-low pitch-with curled projector-replaced by 11A 13833-C	1	Pass (6 cyl.)	41-42

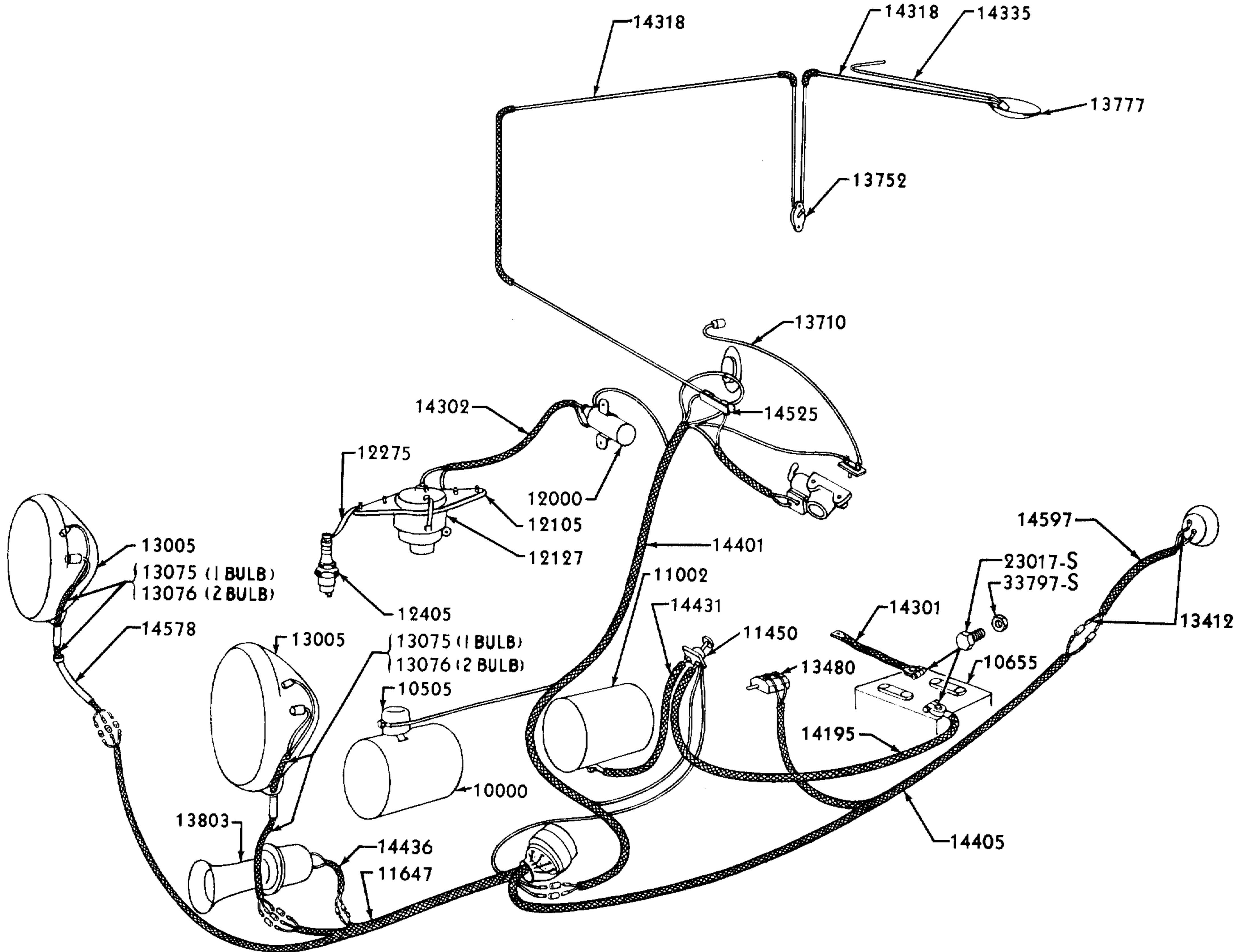
† No Longer Supplied



CHASSIS PARTS CATALOGUE

PART NUMBER	PART NAME	NO. REQ'D	MODEL	YEAR 19__
51A 13833-A	Horn assy-less bracket-low pitch-6 volt-sea shell type-with 2 rivets at wire outlet hole on horn cover-used in 51A 13823 Kit	1	Pass	
51A 13833-B	Horn assy-less bracket-low pitch-6 volt-embossed in 3 places on edge of horn cover	1	Pass	46-48
59B 13833	Horn assy-less bracket-low pitch-12 volt-sea shell type	1	Trucks	32-40
5GA 13833	Horn assy-less bracket-low pitch-6 volt-overall length 18.97"	1	Pass (6 cyl)	46
†48 13834	Bolt (horn bracket mounting)-1/2"-20 x 1/16"	1 or 2	Pass, Comm, Trucks	33-36
	33846-S8 Nut (horn bracket to mounting)-1/2"-20	1 or 2	Pass, Comm, Trucks	33-36
	34809-S2 Lockwasher-1/2"			
B 13836	Contact (horn fixed & adjustable)	2	(Pass 1928-37)(Trucks & Comm)	28-47
B 13838	Spring (horn armature)	1	(Pass 1932-42)(Comm 1932-37)	32-42
91A 13842	Relay & bracket (horn)	1	Pass except 1939 Std	38-40
	24367-S7 Bolt (horn relay to support to frame)-5/16"-24 x 7/8"	1	Pass	38-40
	33798-S8 Nut-5/16"-24			
11A 13842-C	Relay (horn)	1	(Pass-Special 1941-42)(Sedan Delivery-6 cyl-1941)	41-42
	23901-S4 Bolt (horn relay & bracket to support)-1/4"-20 x 5/8"	1	Pass (8 cyl)	41-42
	33795-S7 Nut-1/4"-20			
11A 13842-D	Relay wire & bracket (horn)	1	Pass except Specials	41-42
11A 13842-J	Relay wire & bracket (horn)	1	(Pass-8 cyl)(Pass-6 cyl with horn on left side)	46-47
5GA 13842	Relay wire & bracket (horn)	1	(Pass-6 cyl with horn on right side)	46-47
	24324-S7 Bolt (relay to horn bracket)-1/4"-20 x 5/8"	1	Pass (6 cyl)	46-47
	34370-S8 Locknut-1/4"-20			
51T 13853	Relay & bracket assy (horn)-sea shell-12 volt	1	Comm, Trucks	32-40
7RA 13853-A	Relay & bracket assy (horn)-black plastic cover	1	Pass	36-47
7RA 13853-B	Relay & bracket assy (horn)-tan plastic cover	1	Pass	47-48
	31527-S7 Screw (relay to dash)-No. 14 x 1/2"	2	Pass	46-48
	26457-S7 Screw (horn relay terminal)-No. 8-32 x 1/4"	3	Pass	46-48
	351230-S7 Lockwasher-No. 8			
81A 13864	Contact & spring (horn lower)	2	Pass except Specials (8 cyl)	38-47
81A 13897	Spring (horn armature)-for air electric horn	2	Pass except Specials (8 cyl)	39-47
†91A 13912	Grommet (horn to fender apron spacer)	2	Pass	39-40
91A 13914-A	Spacer (horn to fender apron)	1	Pass-Std	39
91A 13914-B	Spacer (horn to fender apron)	1	Pass-DeLuxe	39
5GA 13914	Spacer (horn to fender apron)	1	Pass (6 cyl)	46-47
91A 13917	Retainer (horn to fender apron spacer)	1	Pass	39
11A 13918	Spacer (bracket to apron)-upper	1	Pass except Special	41-42
11A 13919	Spacer (bracket to apron)-lower	1	Pass except Special	41-42

† No Longer Supplied



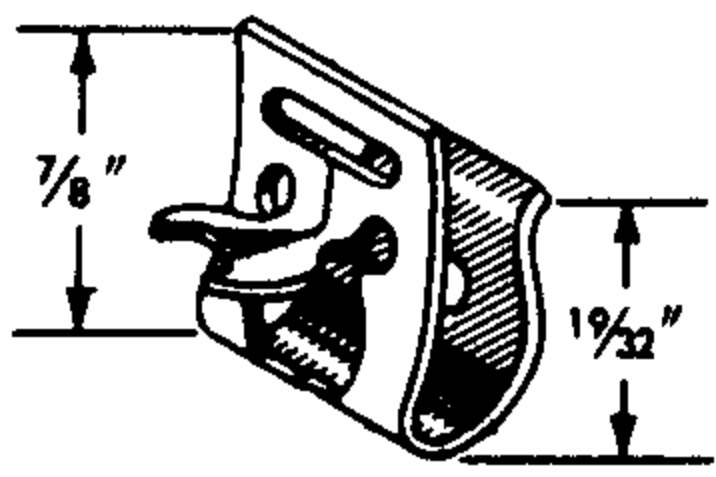
P-133

1933-34 4 CYL. PASSENGER WIRING DIAGRAM
 Basic numbers only shown on illustration. Order by Part Numbers shown in list of parts.

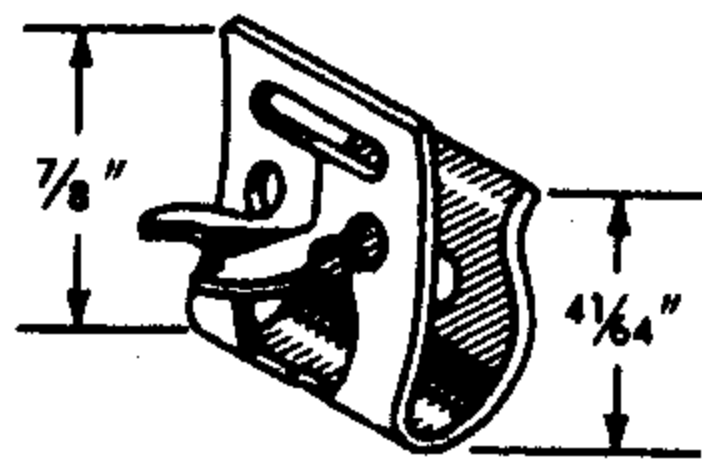
PART NUMBER	PART NAME	NO. REQ'D	MODEL	YEAR
Wiring				
594T 14176	Wire (fuel gauge tank unit)-10" long	1	158" School Bus-194" Truck	46-47
67 14186	Wire assy (dome light to windshield header ground)	1	Closed Cab-DeLuxe	36
†40 14194	Clip (wiring & fuel gauge indicator air line to dash)	1	Pass	33-34
A 14195-A	Cable assy (battery to switch)	1	Pass, Comm, Trucks	28-29
A 14195-B	Cable assy (battery to switch)	1	Pass, Comm, Trucks except 315A, 330A, Passenger Bus	28-31
B 14195	Cable assy (battery to switch)	1	Pass, Comm	32
18 14195	Cable assy (battery to switch)	1	Pass, Comm, Trucks	32-34
	351007-S Nut (battery cable to switch)- 3/18"-16-brass	1	Pass, Comm	28-34
	34907-S2 Lockwasher 3/8"			

† No Longer Supplied

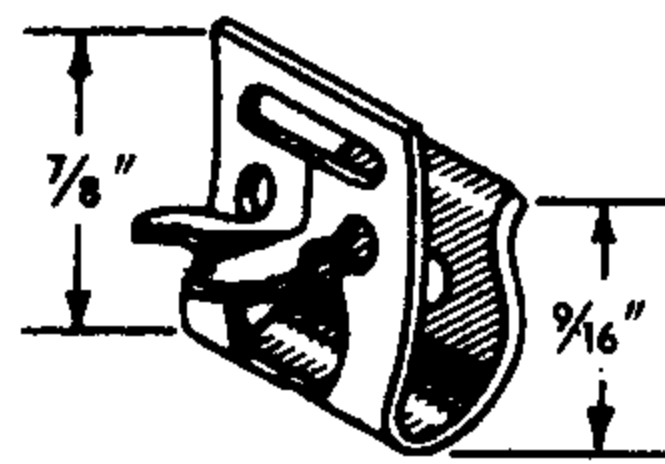
CHASSIS PARTS CATALOGUE



51C-14197



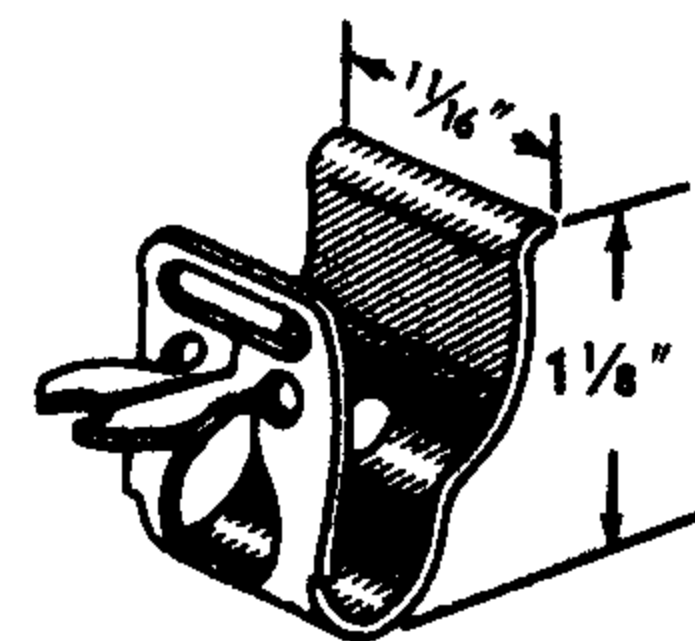
7RA-14197-A



7RA-14197-B

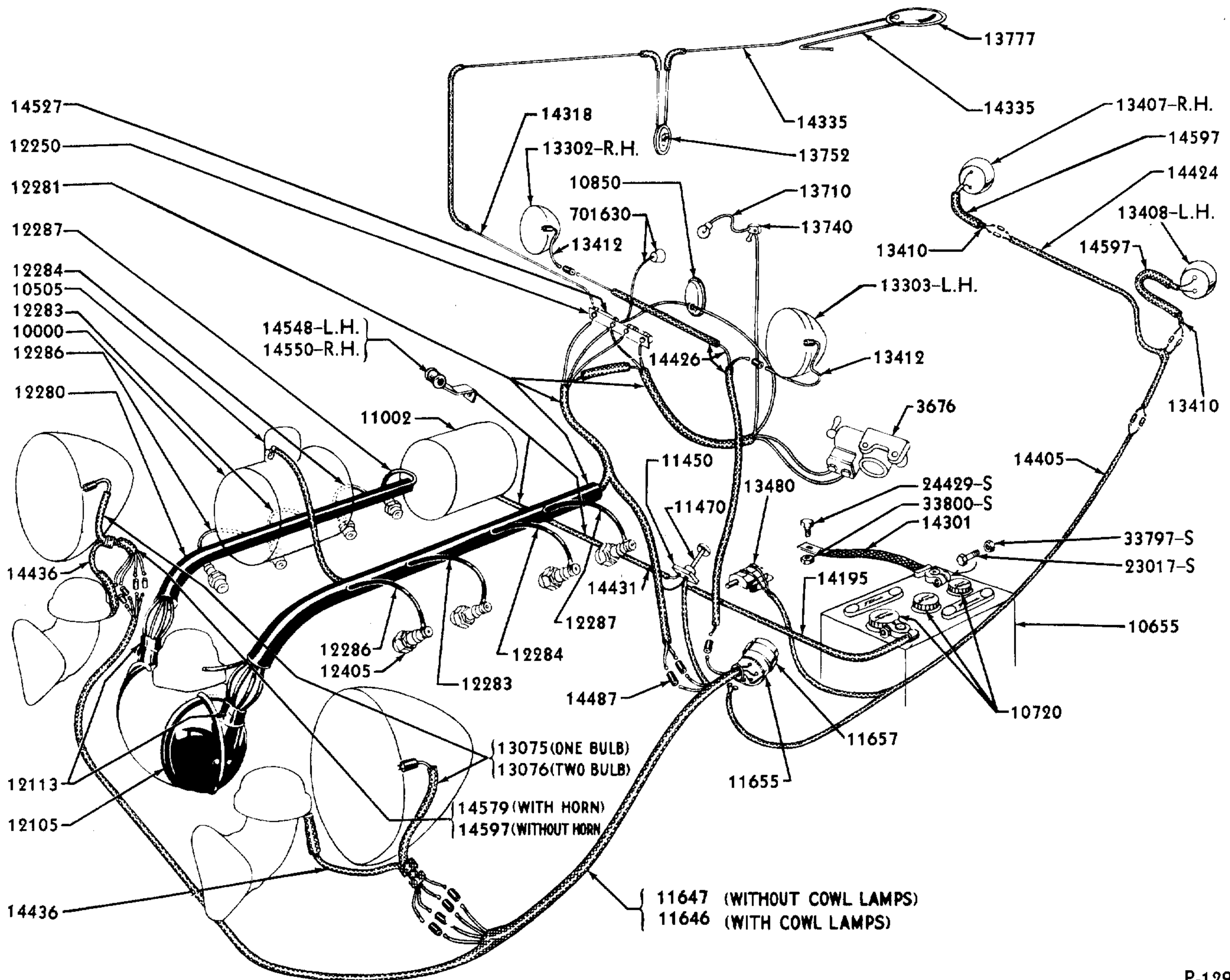


51A-14199



51T-14199

PART NUMBER	PART NAME	NO. REQ'D	MODEL	YEAR 19
51C 14197	Clip (generator wiring to apron)	1	Pass	47-48
		1	Comm, Trucks except COE	47
51C 14197	Clip (foot switch wiring to dash)	2	Pass	47-48
7RA 14197-A	Clip (cowl wiring to dash)	3	Pass	47-48
			Comm, Trucks except COE	47
7RA 14197-A	Clip (headlamp wiring to fender apron)	1	Comm, Trucks except COE	47
7RA 14197-B	Clip (oil pressure & engine temperature gauge wiring to dash panel)	2	Pass	47-48
7RC 14197	Clip (headlamp wiring to front fender section flange)	4	Pass	47-48
7RC 14197	Clip (generator wiring to coil bracket)	1	Pass	47-48
51A 14199	Clip (headlamp & parking lamp wires to apron) - replaced by 6A 14199	2	Pass	47-48
	353262-S Clip (electrical wiring)	As Req'd	(Pass 1947-48)(Comm, Trucks except COE 1947)	47
51T 14199	Clip (cowl wiring to dash)	3	134" Trucks except COE	47
5GC 14199	Clip (cowl wiring to dash)	1	Pass	46-47
5GC 14199	Clip (cowl wiring to LH apron)	2	Comm, Trucks except COE	46-47
6A 14199	Clip (headlamp & parking lamp wiring to apron)	2	(Pass 1947-48)(Comm, Trucks 1947)	47-48
51A 14281	Clip (dome light wire to windshield opening)-on lower reinforcement of inside panel	1	Pass	46-48
8A 14293	Kit (electrical wiring)-consists of the following-	1	Pass	28-48
	40 2N-12113 Insulator (spark plug wire)	1	8A 14296-C Wire-14 gauge-primary	28-47
	1- 8A 14296-A Wire-16 gauge-high tension	1-	8A 14296-D Wire-12 gauge-primary	
	1- 8A 14296-B Wire-16 gauge-primary	50-	B 14466 Terminal-high tension wire	
	1- 8A 14294 Kit-wire terminals			
8A 14294	Kit (electrical wire terminals)-consists of the following-	As Req'd	Pass	28-48
	25- 78-14453 Terminal (snap on)	50-	8A-14463-A Terminal-#14-16 gauge	28-47
	25- 7HA 14453 Terminal (snap on)	50-	8A 14463-B Terminal-#10-12 gauge	
	50- 8A-14455-A Sleeve-#14-16 gauge wire	50-	8A-14463-C Terminal-#14-16 gauge	
	25- 8A-14455-B Sleeve-#10-12 gauge wire	50-	8A-14488 Connector #14-16 gauge	
	1- Wiring tool			
8A 14296-A	Wire (high tension)-#16 gauge-100 ft. spool	As Req'd	Pass	28-48
			Comm, Trucks	28-47
8A 14296-B	Wire (primary)-#16 gauge-100 ft. spool	As Req'd	Pass	28-48
			Comm, Trucks	28-47



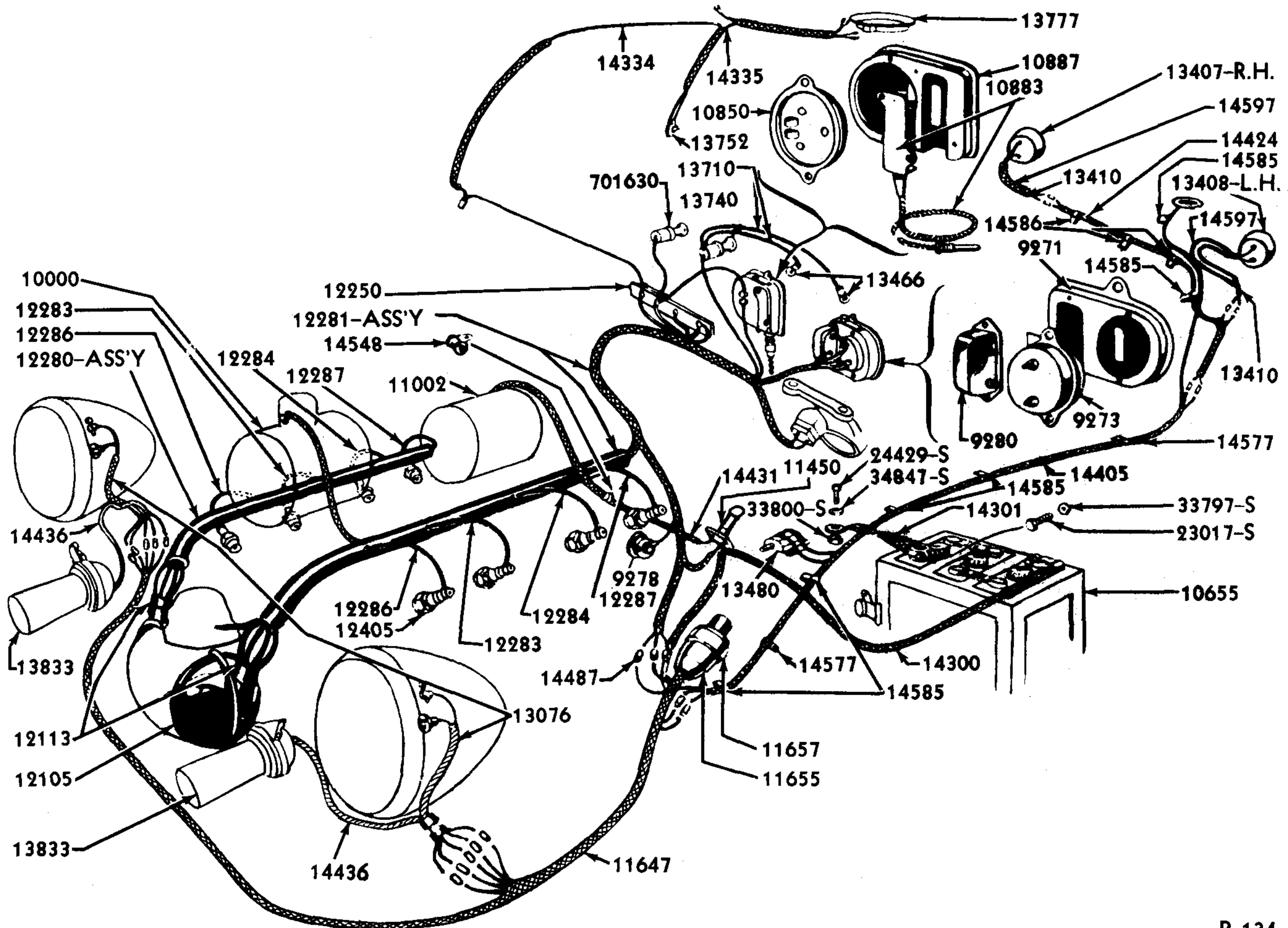
P-129

1933-34 8 CYL. PASSENGER WIRING DIAGRAM

Basic numbers only shown on illustration. Order by Part Numbers shown in list of parts.

PART NUMBER	PART NAME	NO. REQ'D	MODEL	YEAR
8A 14296-C	Wire (primary)-#14 gauge-100 ft. spool	As Req'd	Pass Comm, Trucks	28-48 28-47
8A 14296-D	Wire (primary)-#12 gauge-100 ft. spool	As Req'd	Pass Comm, Trucks	28-48 28-47
AA 14300-B	Cable (battery to switch) .40" long	1	AA-330A, Passenger Bus	31
48 14300	Cable assy (battery to switch)-28 1/2" long-replaced by 100 14300-B	1	Pass, Comm	35-36
51 14300	Cable assy (battery to switch)-21" long	1	Trucks	35-36
78 14300	Cable (battery to relay)-length 17.25"	1	(Pass 1937-39 except 1938 DeLuxe)(Comm, Trucks 1938-39)	37-39
78 14300	Cable (battery to relay)-length 17.25"	1	COE	38-47
91A 14300	Cable (battery to relay)-length 13.25" -repl. by 78 14300	1	(Pass except 1939 Std. 1939-47)	39-47
	34443-S7 Locknut (battery cable to relay switch terminal)-5/16" -24	1	(Comm, Trucks except COE 1940-47)(8 cyl)	40-47
			(Pass except 1939 Std 1939-47)(Comm, Trucks except COE 1940-47)(8 cyl)	39-47

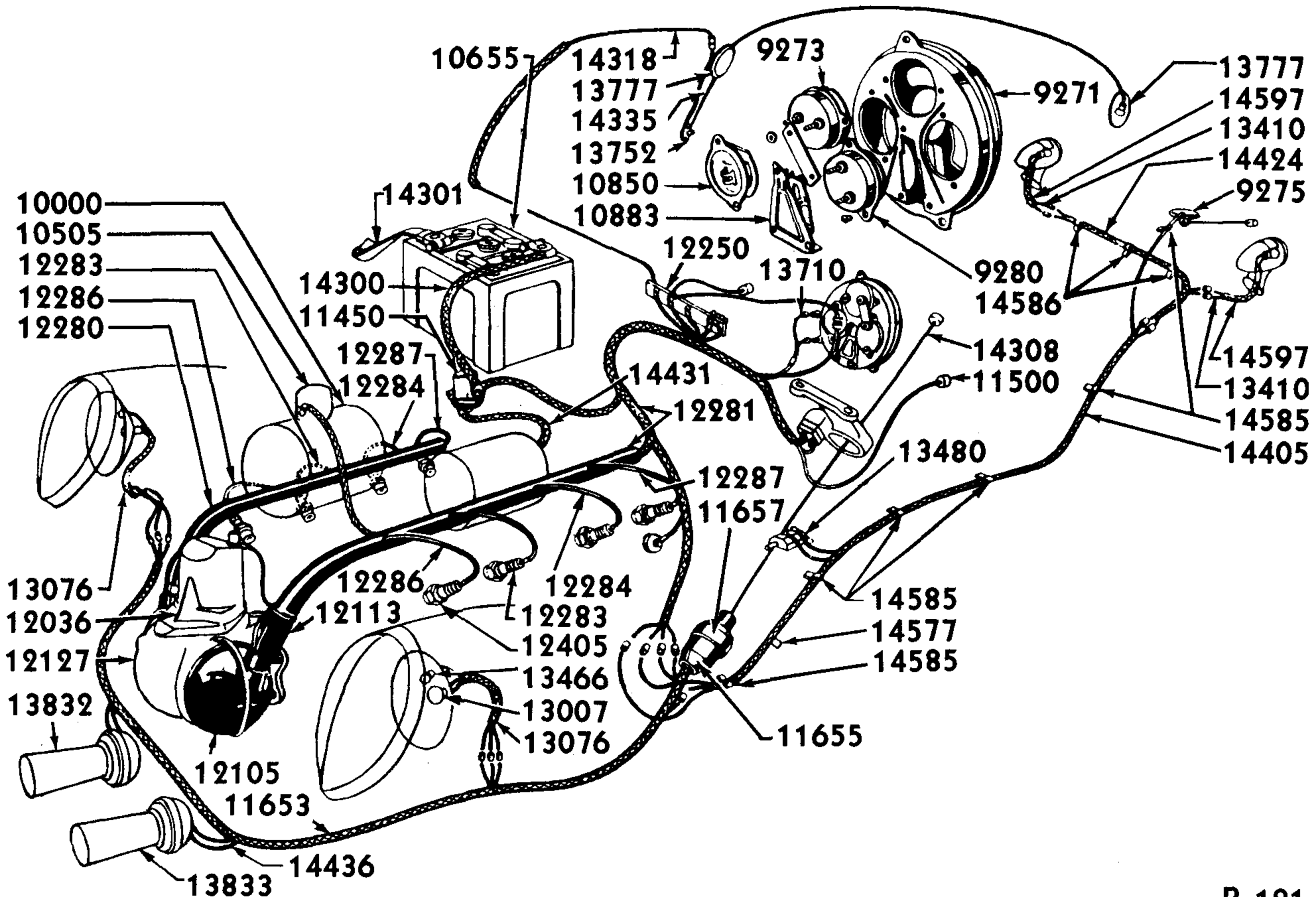
CHASSIS PARTS CATALOGUE



P-134

1936 8 CYL. PASSENGER WIRING DIAGRAM
 Basic numbers only shown on illustration. Order by Part Numbers shown in list of parts.

PART NUMBER	PART NAME	NO. REQ'D	MODEL	YEAR 19__
1GA 14300	Cable (battery to starter switch)-length 30"	1	Pass (6 cyl "G" Series)	41-47
1GC 14300-B	Cable (battery to starter switch)-length 26"	1	Comm except Sedan Delivery (6 cyl "G" Series)	41-47
1GT 14300	Cable (battery to starter switch)-length 22 1/4"- replaced by 1CC 14300-B	1	(Truck 6 cyl "G" Series)(4 cyl 1941-42)	41-47
6A 14300	Cable (battery to starter relay)-13 1/2" long- replaced by 78-14300	1	(Pass 1947-48)(Comm, Trucks except 134" & COE 1947)(8 cyl)	47-48
	23017-S16 Bolt (cable to battery)-5/16"- 18 x 1 1/4"	1	Pass, Comm, Trucks	28-47
	33797-S16 Nut (cable to battery)-5/16"-18	1	Pass, Comm, Trucks	28-47
	34392-S16 Locknut-5/16"-18	1	Pass, Comm, Trucks	28-47
7HA 14300	Cable (battery to starter relay)-12" long	1	Pass (6 cyl "H" Series)	47-48
7HC 14300	Cable (battery to starter relay)-11" long	1	Comm, Trucks (6 cyl "H" Series)	47
7HT 14300	Cable (battery to switch)-12 volt-80" long	1	Trucks (6 cyl "H" Series)	47
	33798-S8 Nut (battery cable terminal to relay)-5/16"-24	1	Comm, Trucks (6 cyl "H" Series)	47
	34846-S2 Lockwasher-5/16"	1		
40 14301-B	Connection (battery to ground)-17 1/2" long-repl. by 8RC 14301	1	Pass, Comm, Trucks (except Pass, Comm 1935)	32-36
40 14301-B	Connection (battery to ground)-17 1/2" long-repl. by 8RC 14301	1	Pass (6 cyl) Comm, Trucks (6 cyl)	42-48 42-47



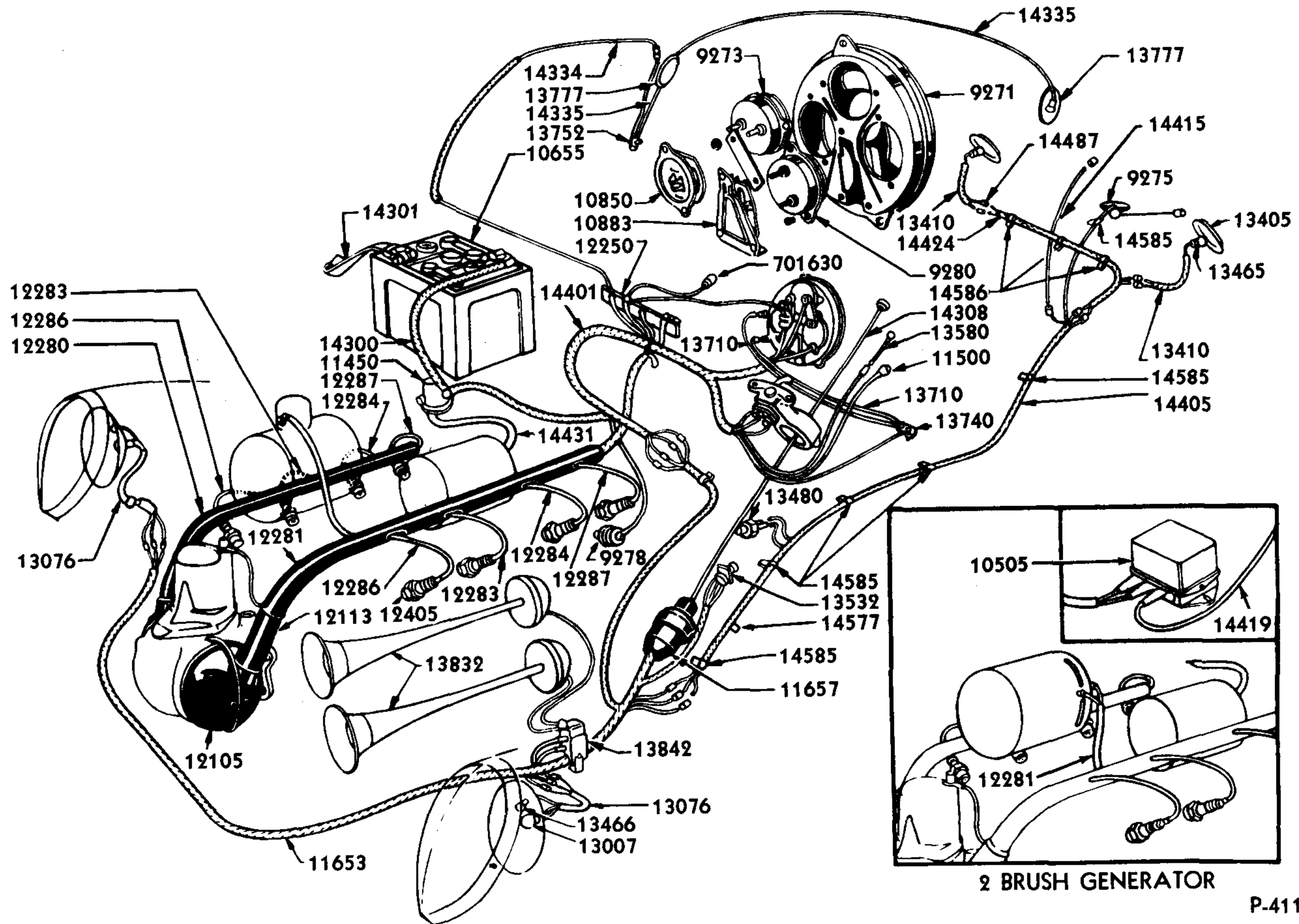
P-121

1937 8 CYL. PASSENGER WIRING DIAGRAM

Basic numbers only shown on illustration. Order by Part Numbers shown in list of parts.

PART NUMBER	PART NAME	NO. REQ'D	MODEL	YEAR 19__
48 14301	Connection (battery to ground)-12 1/2" long	1	(Pass,Comm 1932)(Pass,Comm 1935-36)	32-36
78 14301	Connection (battery to ground)-dash-9.6" long	1	Pass,Comm,Trucks	37-39
81W 14301	Connection (battery to ground)-overall length 20.5"	1	(COE 1938-47)(Pass & Comm-6 cyl-1942-47) (4 cyl with battery on side of frame 1941-42)	38-47
	24389-S8 Bolt (battery ground to running board bracket)-3/8"-24 x 1"	1	COE	38-47
	34707-S2 Washer (battery ground)-3/8"		COE	38-47
91A 14301	Connection (battery to ground)-7.4" long-repl. by 78 14301	1	Pass,Comm,Trucks	28-31
	24346-S7 Bolt (connector to universal joint hsg.cap)-5/16"-18 x 3/4"	1	Pass,Comm	32
	44722-S8 Washer-5/16"			
	34846-S2 Lockwasher-5/16"			
	24349-S7 Bolt (connector to frame)- 3/8"-24 x 3/4"	1	(Pass,Comm 1928-31 & 1933-34)	28-34
	24429-S7 Bolt (connector to universal jt.hsg.cap)-3/8"-24 x 1 1/4"	1	Pass,Comm	33-34
	34847-S8 Lockwasher-3/8"			
	33800-S8 Nut-3/8"-24			
	44726-S8 Washer-3/8"			
	33798-S8 Nut (battery ground connection to coupling shaft housing)- 5/16"-24	1	Trucks	35
91A 14301	Connection (battery to ground)-overall length 7.4"- replaced by 78-14301	1 1	Pass (8 cyl) Comm,Trucks (8 cyl)	39-48 41-47

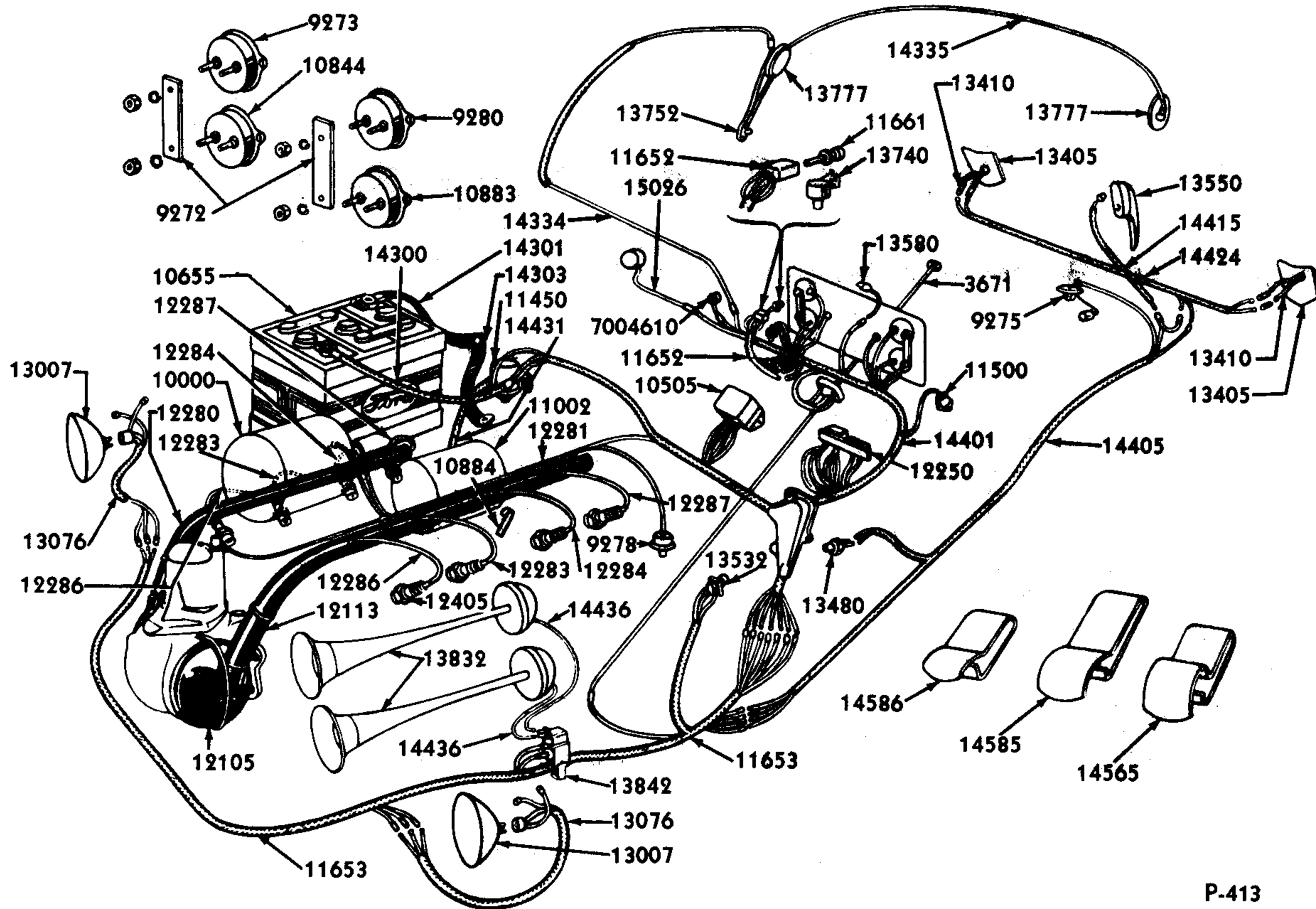
CHASSIS PARTS CATALOGUE



1938-39 PASSENGER WIRING DIAGRAM

Basic numbers only shown on illustration. Order by Part Numbers shown in list of parts.

PART NUMBER	PART NAME	NO. REQ'D	MODEL	YEAR 19__
5GC 14301	Cable assy (battery to ground)-25 1/4" long-replaced by 91A-14303 & 40-14301-B	1	Comm, Trucks except COE (6 cyl)	46-47
	91T-2081 Clip (battery ground strap bolt to cowl wiring)	1	Comm, Trucks except COE	39-42
7HC 14301	Cable assy (battery to ground)-13 3/4" long	1	Comm, Trucks (6 cyl "H" Series)	47
8RC 14301	Connection (battery to ground)-17 1/2" long	1	(Pass 1942-48)(Comm, Trucks 1942-47)(6 cyl)	42-48
	23017-S16 Bolt (ground cable to battery)-5/16"-18 x 1 1/4"	1	Pass	28-48
		1	Comm, Trucks	28-47
	33797-S16 Nut (ground cable to battery)-5/16"-18	1	Pass	28-48
		1	Comm, Trucks	28-47
	24324-S7 Bolt (battery ground cable to dash)-1/4"-20 x 5/8"	1	Pass, Comm, Trucks	37-38
	44719-S8 Washer-1/4"			
	24324-S7 Bolt (ground cable & cable support to dash)	1	Pass, Comm, Trucks	37-38
	20337-S2 Bolt (battery ground cable & engine ground cable to dash)-5/16"-24 x 11/16"	2	Pass, Comm, Trucks	37-38
	33797-S7 Nut (battery ground cable to dash & engine ground cable to dash)-5/16"-18	1	Pass	37-48
		1	Comm, Trucks except COE	37-47
	34392-S16 Locknut (battery to ground terminal)-5/16"-18	1	Pass	38-48
		1	Comm, Trucks	38-47
	44722-S8 Washer-5/16"			
	34846-S2 Lockwasher-5/16"			



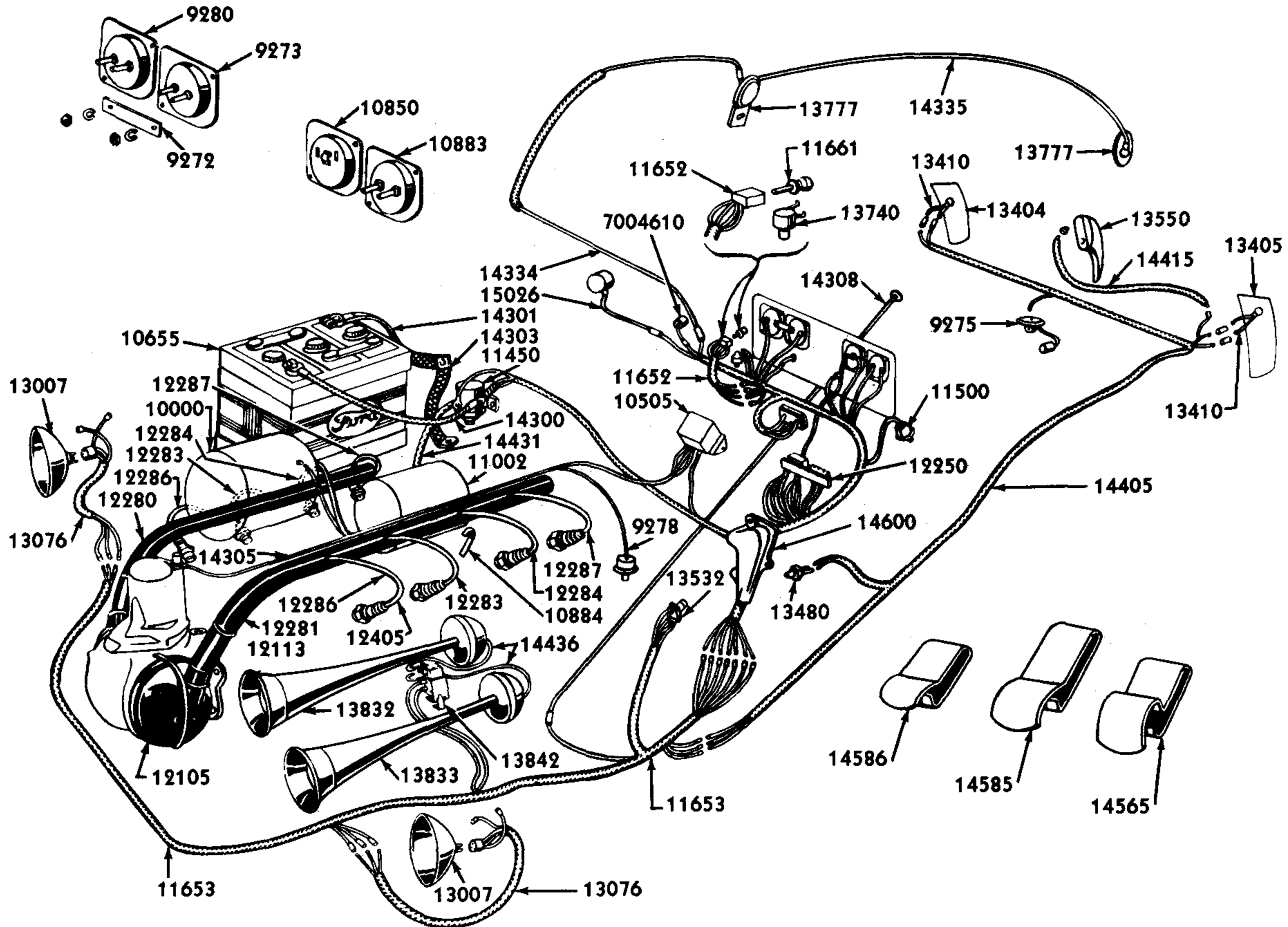
P-413

1940 8 CYL. PASSENGER WIRING DIAGRAM

Basic numbers only shown on illustration. Order by Part Numbers shown in list of parts.

PART NUMBER	PART NAME	NO. REQ'D	MODEL	YEAR 19__
A 14302	Wire assy (coil to distributor)	1	Pass, Comm, Trucks	28-31
B 14302	Wire assy (coil to distributor)	1	Pass, Comm (4 cyl)	32-34
46 14302	Wiring assy (coil to distributor)	1	Pass (4 cyl)	33-34
21A 14302	Wiring assy (coil to distributor)-low tension-length 25.5"	1	Pass, Comm, Trucks (8 cyl)	42-47
2GA 14302	Wiring assy (coil to distributor)-low tension-length 20.5"	1	Pass, Comm, Trucks (6 cyl "G" Series)	41-47
7HA 14302	Wire (coil to distributor)-low tension-6" long	1	Pass (6 cyl "H" Series)	47-48
		1	Comm, Trucks (6 cyl "H" Series)	47
7RA 14302	Wire (coil to distributor)-low tension-10" long	1	Pass (8 cyl)	47-48
		1	Comm, Trucks (8 cyl)	47
91A 14303	Connection (dash to engine ground)-overall length 9"	1	Pass	37-48
		1	Comm, Trucks	37-47
8RC 14303-B	Connection (dash to engine ground)-8 1/4" long - also use with 12 volt system on 6 cyl trucks	1	(Comm, Trucks 1937-47)(Pass 1937-48)	37-48
	24366-S8 Bolt (engine ground strap to dash)-5/16" -18 x 7/8	1	Pass, Comm, Trucks except COE	38-47
	34392-S7 Locknut -5/16" -18			
	351428-S7 Washer (engine ground strap to dash)	1	Pass, Comm, Trucks except COE	38-47

CHASSIS PARTS CATALOGUE



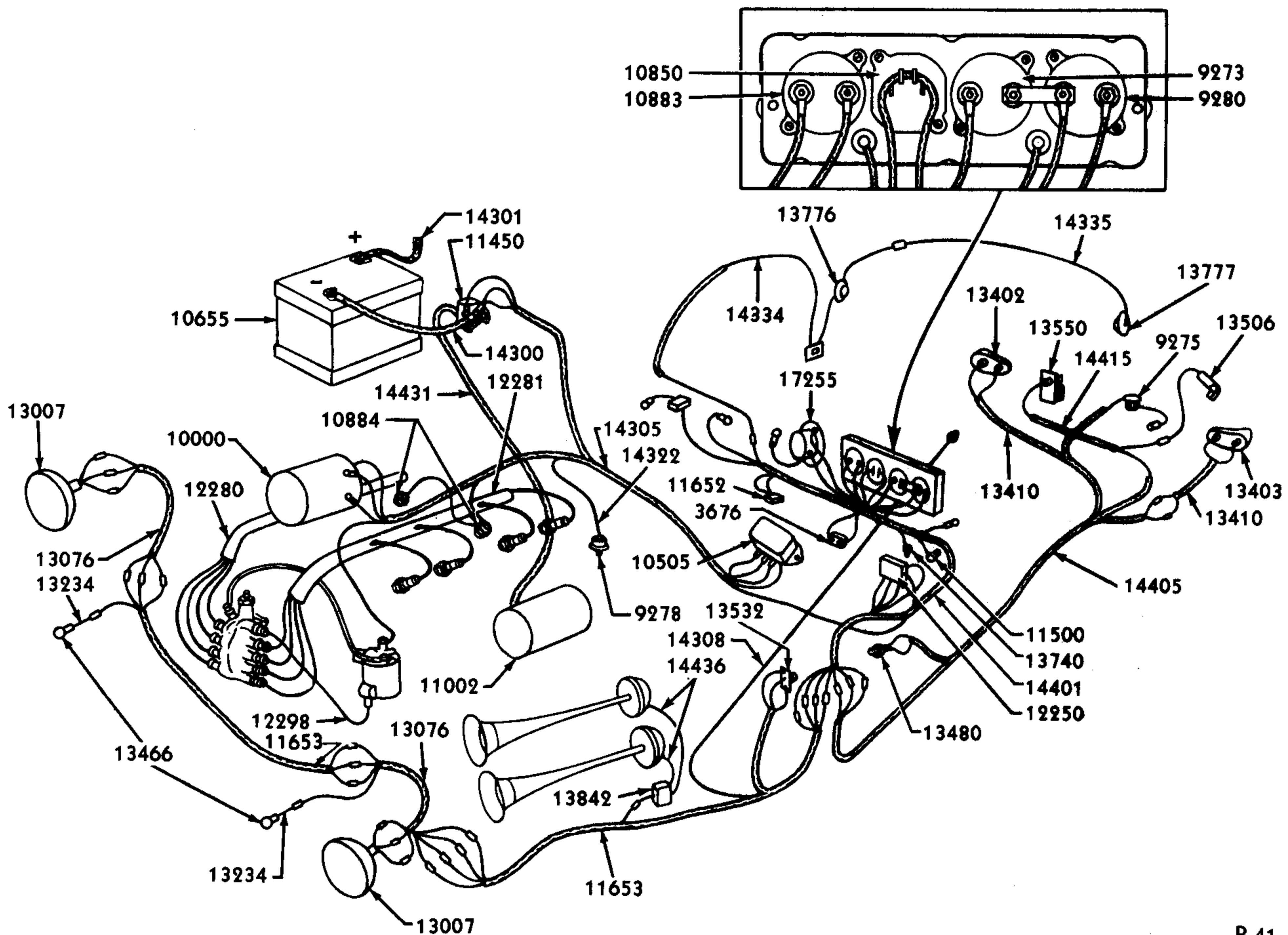
P-414

1941 8 CYL. PASSENGER WIRING DIAGRAM

Basic numbers only shown on illustration. Order by Part Numbers shown in list of parts.

PART NUMBER	PART NAME	NO. REQ'D	MODEL	YEAR 19__
+A 14305	Wire assy (ignition coil to terminal block)	1	Pass, Comm, Trucks	28-31
11A 14305-A	Wire assy (generator to voltage regulator)-LHD	1	Pass (Sedan Delivery with radio or heater)(8 cyl)	41-48
1GA 14305	Wire assy (generator to voltage regulator)-LHD	1	Pass, Sedan Delivery (6 cyl)	41-48
51W 14305-A	Wire assy (generator to voltage regulator)	1	COE	41-47
51W 14305-B	Wire assy (generator to voltage regulator)	1	COE	46-47
48 14308	Wire assy (horn switch)	1	Pass, Comm, COE	35-39
11A 14308	Wire assy (horn button)	1	(Pass 1941)(Pass-Super DeLuxe 1942-48)	41-48
21A 14308	Wire assy (horn switch)	1	Pass-DeLuxe & Special	42-48
+51A 14309-A	Wire assy (hot water heater switch)-23.0" long	1	Pass, Trucks except COE (Refer to Hot Water Heater)	46-48
+51A 14309-B	Wire assy (hot water heater switch)-6.5" long	1	Pass, Trucks except COE (Refer to Hot Water Heater)	46-48
8C 14309-B	Wire assy (hot water heater switch)-8.5" long -has 20 amp fuse	1	Pass (8 cyl)(Refer to Hot Water Heater)	47-48
+51T 14313	Wire assy (ignition resistor to ignition coil)- 12 volt system	1	Trucks	46-47
+A 14315	Wire assy (terminal box to windshield)-67" long-LHD	1	A-35A, 35B, 40A, 40B, 76A	28-30
77 14318	Wire & conduit assy (fuse block to dome lamp)	1	(Pass 1932-34)(Panels 1935-39)(Fordor, Sedan Delivery 1935-39)(Tudors, Coupes 1937-38)	32-39
77 14318	Wire assy (dome lamp switch to light)	1	Pass	32-34
91C 14318	Wire assy (fuse block to dome lamp)-length 104"	1	Panels	40-47

† No Longer Supplied



P-41

1942 8 CYL. PASSENGER WIRING DIAGRAM

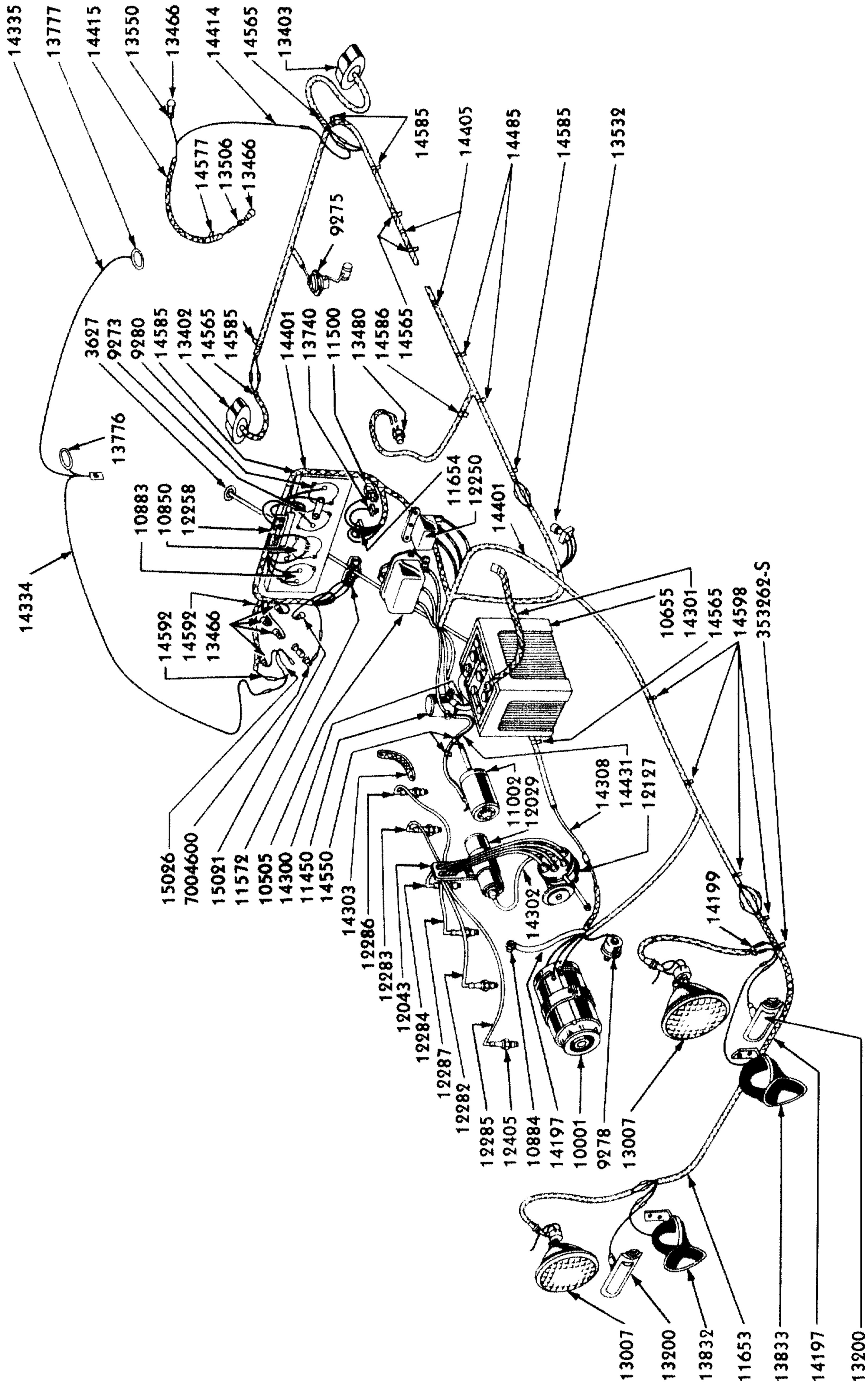
Basic numbers only shown on illustration. Order by Part Numbers shown in list of parts.

PART NUMBER	PART NAME	NO. REQ'D	MODEL	YEAR
				19___
11A 14322	Wire assy (oil gauge to cowl wire)-length 7.5"	1	Pass (8 cyl) Comm, Trucks (8 cyl)	41-48 46-47
1GA 14322	Wire assy (oil gauge connector)-length 32"	1	Pass (8 cyl)	41-48
†A 14327	Wire assy (dome lamp switch to terminal box)	1	DeLuxe Delivery	28-31
†A 14328	Wire assy (dome lamp switch to light)	1	Panels	28-30
†A 14328	Wire assy (windshield wiper drop header)	1	Pass, Comm	29-30
†A 14331	Wire assy (dome lamp to ground)	1	Pass, Comm	29-31
51A 14332-A	Wire assy (cloth top elevator switch to circuit breaker to motor)	1	Convertible Coupe	46-48
51A 14332-B	Wire assy (hydraulic pump motor to circuit breaker)	1	Sportsman Coupe	46-48
	51A-13708 Wiring assy (hydraulic top)-dash & LH door switch-hyd. window	1	Sportsman Coupe	46-48
†A 14333	Wire assy (body header to windshield wiper)	1	Pass, Comm	29-30
1GA 14333	Wire assy (instrument panel lamp)	1	Pass, Comm, Trucks	28-30
1GA 14333	Wire assy (temperature gauge connector)	1	Pass (6 cyl)	41-47
5GA 14333	Wire assy (oil & temperature gauges to engine)	1	Pass (6 cyl)	46-47
5GC 14333	Wire assy (oil & temperature gauges to engine)	1	Comm, Trucks (6 cyl)	46-47
68 14334	Wire assy (fuse block to dome lamp switch)	1	48 and 68-700,720,770	35-36
†78 14334-C	Wire assy (fuse block to dome lamp switch)	1	Station Wagon	40
†81A 14334-C	Wire assy (fuse block to dome lamp)	1	Station Wagon	38
01A 14334	Wire assy (circuit breaker to dome lamp connector)	1	Sedan Delivery	40-48
09A 14334	Wire assy (fuse block to dome lamp switch)	1	Pass except Convertible	39-40
11A 14334-B	Wire assy (fuse block to dome lamp switch)-77" long	1	Pass except Convertibles & Station Wagon	41-48
11A 14334-C	Wire assy (dome lamp)	1	Station Wagon	41-48

† No Longer Supplied

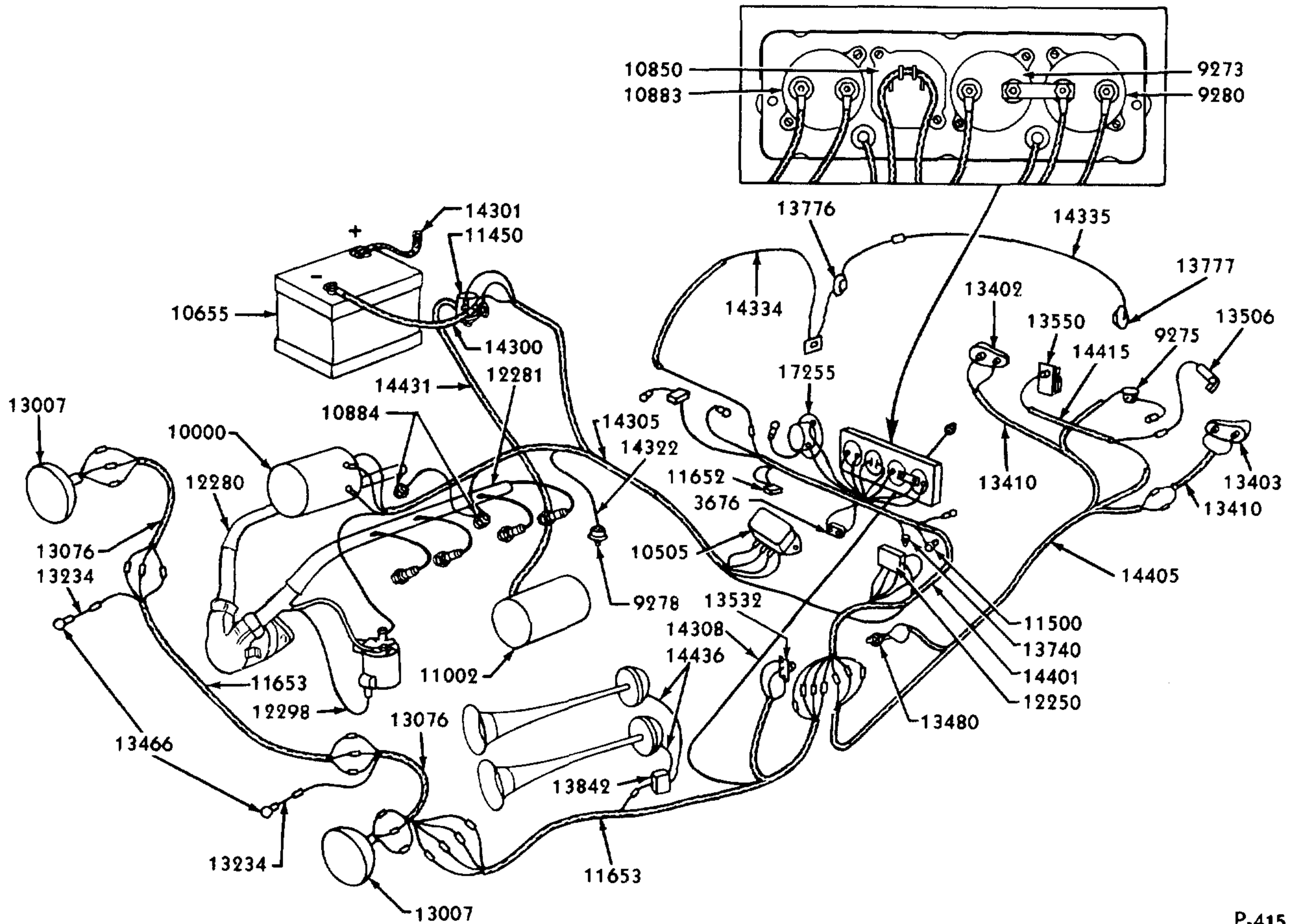
CHASSIS PARTS CATALOGUE

P-636



1947-48 6 CYL. "H" SERIES PASSENGER WIRING DIAGRAM

Basic numbers only shown on illustration. Order by Part Numbers shown in list of parts.



P-415

1946-48 8 CYL. PASSENGER WIRING DIAGRAM

Basic numbers only shown on illustration. Order by Part Numbers shown in list of parts.

PART NUMBER	PART NAME	NO. REQ'D	MODEL	YEAR
+78 14335-C	Wire assy (dome lamp to switch)	1	Sedan Delivery	37-41
81A 14335	Wire (dome lamp to switch)-84" long	1	Tudors, Fordors	37-40
+11A 14335-B	Wire assy (fuse block to dome lamp)	1	Closed Cabs, Panels	37-38
+11A 14335-B	Wire assy (dome lamp to switch)	1	Pass except Convertibles & Station Wagon	41-48
59A 14337	Wire (thermostat to fan)		Refer to Thermostatic Fan Control Group	
51A 14339	Wire assy (dash wire to rear quarter window regulator switches)	1	Sportsman Coupe	46-48
A 14340	Wire assy (dome lamp to ground)	1	Pass, Comm	28-31
A 14401-B	Wiring assy (cowl)	1	Pass, Comm, Trucks	28-31
B 14401-A	Wiring assy (instrument panel)-Use with hand control starter switch-LHD	1	Pass, Comm	32
B 14401-B	Wiring assy (instrument panel)-Use with foot control starter switch-LHD	1	Pass, Comm	32

+ No Longer Supplied



CHASSIS PARTS CATALOGUE

PART NUMBER	PART NAME	NO. REQ'D	MODEL	YEAR
				19__
46 14401-A	Wiring assy (instrument panel)	1	Chassis, Sedan Delivery, Station Wagon (4 cyl)	33-34
46 14401-B	Wiring assy (instrument panel)	1	Pass, Comm, Trucks (4 cyl)	33-34
81A 14401-B	Wiring assy (cowl)-LHD	1	Pass, Comm, Trucks except COE	38
81W 14401	Wiring assy (cowl)-LHD	1	COE (4 cyl)	38-39
91A 14401-C	Wiring assy (cowl)-used with 3 brush generator-LHD	1	Pass-Std	39
91A 14401-D	Wiring assy (cowl)-used with 2 brush generator-LHD	1	Pass-DeLuxe	39
91C 14401-A	Wiring (cowl)-LHD	1	Closed Cabs, Panels	39
91C 14401-B	Wiring (cowl)-when 2 brush generator is used-LHD	1	Closed Cabs, Panels	39
91C 14401-C	Wiring assy (cowl)	1	Comm	39
01A 14401-B	Wiring assy (cowl)-LHD	1	Pass	40
01C 14401-B	Wiring assy (cowl)-LHD	1	Closed Cabs, Panels except COE	40
01W 14401-B	Wiring assy (cowl)-LHD	1	COE	40
11A 14401	Wiring assy (cowl)-LHD	1	Pass	41
11C 14401-B	Wiring assy (cowl)-LHD	1	Comm, Trucks except Sedan Delivery & COE (8 cyl)	41-44
11C 14401-C	Wiring assy (cowl)-LHD	1	Sedan Delivery (8 cyl)	41
11W 14401	Wiring assy (cowl)-LHD-repl by 51W-14401-A, 51W 14305 and 51W 11653	1	COE	41-42
1CC 14401	Wiring assy (cowl)-LHD	1	Closed Cab, Panels (6 cyl "G" Series)	41-47
1NC 14401-B	Wiring assy (cowl)-LHD	1	Sedan Delivery (4 cyl)	41
1NC 14401-C	Wiring assy (cowl)-LHD	1	Comm, Trucks except Sedan Delivery 1941	41-42
21A 14401	Wiring assy (cowl)-LHD	1	Pass	42-47
51A 14401-A	Wiring assy (cowl)-LHD-with 7RA 11654 lighting switch	1	Pass (8 cyl)	47-48
51AS 14401-A	Wiring assy (cover)-6 volt heavy duty	1	Pass (8 cyl)	47-48
51C 14401-A	Wiring assy (cowl)-LHD	1	Comm, Trucks except COE (8 cyl)	44-47
51C 14401-C	Wiring assy (cowl)-LHD	1	Comm, Trucks except COE (8 cyl)	47
51T 14401-A	Wiring assy (cowl)-12 volt system	1	Trucks except 122" (8 cyl)	47
51T 14401-B	Wiring assy (cowl)-12 volt system	1	Trucks except 122" (8 cyl)	47
51W 14401-A	Wiring assy (cowl)-LHD	1	COE	41-47
5GT 14401	Wiring assy (cowl)-12 volt system	1	Trucks except 122" (6 cyl)	47
7HA 14401	Wiring assy (cowl)-LHD	1	Pass (6 cyl "H" Series)	47-48
7HT 14401	Wiring assy (cowl)-LHD	1	Comm, Trucks (6 cyl "H" Series)	47
A 14403-B	Wiring assy (headlamp)-1 bulb-LHD	1	Pass, Comm, Trucks	28-29
B 14403-A	Wiring assy (headlamp)-2 bulb-Use with hand control type starter switch	1	Pass, Comm	32
B 14403-B	Wiring assy (headlamp)-1 bulb-Use with hand control type starter switch	1	Pass, Comm	32
†A 14405-C	Wiring assy (rear lamp)	1	Pass, Comm	28-31
†AA 14405-D	Wiring assy (rear lamp)	1	Trucks	28-31
B 14405	Wiring assy (rear lamp)-LHD	1	Pass, Comm	32-34
	B-16386 Grommet (rear lamp wire)	2	Pass, Comm	32
79 14405	Wiring assy (rear lamp)-LHD	1	Trucks	32-38

† No Longer Supplied



CHASSIS PARTS CATALOGUE

PART NUMBER	PART NAME	NO. REQ'D	MODEL	YEAR 19__
81A 14405	Wiring assy (rear lamp)-LHD	1	Pass,Comm	35-38
81W 14405	Wiring assy (rear lamp)-LHD	1	COE	38
91A 14405	Wiring assy (rear lamp)-LHD	1	Pass,Comm(except Sedan Delivery 1940)	39-40
91T 14405	Wiring assy (rear lamp)	1	Trucks except COE	39-40
01A 14405	Wiring assy (rear lamp)-LHD	1	Sedan Delivery	40
11A 14405-A	Wiring assy (rear lamp)-LHD-replaced by 51A-14405-A	1	Pass-DeLuxe & Super DeLuxe,except Sedan Delivery & Station Wagon	41-47
11A 14405-B	Wiring assy (rear lamp)-replaced by 51A 14405-B	1	Pass-Special,Station Wagon (except State of Washington)	41-48
11C 14405-A	Wiring assy (rear lamp)-LHD	1	Comm except Sedan Delivery	41
11C 14405-B	Wiring assy (rear lamp)-LHD	1	Sedan Delivery & Station Wagon	41
11T 14405	Wiring assy (rear lamp)-LHD	1	Trucks except COE	41-47
11W 14405	Wiring assy (rear lamp)	1	COE	39-47
	01T-14585 Clip (rear lamp wiring to frame)	5	Trucks except 122"	44-47
	01T-14585 Clip (rear lamp wiring to frame)	9	COE	46
21A 14405	Wiring assy (rear lamp)	1	Sedan Delivery	42-48
21C 14405-A	Wiring assy (rear lamp)	1	Comm	42-47
51A 14405-A	Wiring assy (rear lamp)	1	Pass-DeLuxe & Super DeLuxe,except Sedan Delivery & Station Wagon	41-48
51A 14405-B	Wiring assy (rear lamp)	1	Pass-Special,Station Wagon (except State of Washington)	41-48
A 14406-A	Wire & conduit assy (cutout to terminal block)	1	Pass,Comm,Trucks	28-31
81W 14406	Wire assy (fuel tank gauge to rear lamp wiring)	1	(Comm 1944-47)(Trucks 1937-47)(except 194" 1945-47)	47
51A 14414	Wiring assy (rear license lamp connection)-in body	1	Sportsman Coupe	47-48
91A 14415	Wire assy (rear license lamp connection)-in body	1	Sportsman Coupe	47-48
		1	Pass except Station Wagon	38-48
51A 14415	Wiring assy (rear license connector)-in door	1	Sportsman Coupe	47-48
81A 14419	Wire assy (fuse block to voltage regulator)-LHD	1	Pass,Comm,Trucks except COE	38
91A 14420	Cable (generator to regulator adapting)-LHD-Used when replacing 3 brush with 2 brush generator	1	Pass	33-39
A 14423-D	Wire assy (rear lamp extension)	1	AA-225A (157" Trucks)	30-31
	B-14487 Connector & sleeve assy (rear lamp extension wire)	2	AA-225A	31
AA 14423-E	Wiring assy (cowl lamp switch)	1	Pass,Comm	28-31
BB 14423-A	Wire assy (rear lamp extension)-43 1/2" long	1	(Sedan Delivery 1935-38)(Station Wagon 1935-37)(Panels 1935-47)	35-47
BB 14423-A	Wire assy (rear lamp extension)-43 1/2" long	1 or 2	(134" COE 1938-47)(Platform & Racks 1938-47)(Pickup,122" Express 1938-42)(158"-194" Trucks 1940-47)	38-47
BB 14423-B	Wire assy (rear lamp connection)	1	157"-158"-191"-194" Trucks	39-47
	01T-14585 Clip (rear lamp wire to frame)-LE	1	194" Trucks	44-47
50 14423	Wire assy (rear lamp extension)-8" long	1	Pass,Comm	28-31
50 14423	Wire assy (rear lamp extension)-8" long	1	Comm	35
50 14423	Wire assy (rear lamp extension)-8" long	1	Pickup	37
50 14423	Wire assy (rear lamp extension)-8" long	2	(Station Wagon,Panel 1938-47)(Comm Pickup & Platform 1939-42)	38-47



CHASSIS PARTS CATALOGUE

PART NUMBER	PART NAME	NO. REQ'D	MODEL	YEAR 19__
B 14424	Wiring assy (rear lamp connector)-right to left rear lamp	1	(Pass 1932-37)(Comm 1937)(Except Sedan Delivery & Station Wagon)	32-37
B 14424	Wiring assy (rear lamp connector)-right to left rear lamp	1	(Pass-DeLuxe 1938-39)(Pass-Std & DeLuxe 1940)(Comm, Trucks 1941-47 Washington, Missouri)	38-47
†68 14424	Wiring assy (rear lamp)	1	Convertible Sedan-with Trunk	36
†A 14426	Wiring assy (cowl lamp)	1	A-45B DeLuxe, 68A, 68B, 140A, 155A, 155B, 155C, 155D, 170B DeLuxe, 180A	29-31
†B 14426	Wiring assy (cowl lamp)	1	(Pass, Comm 1932-34)(Sedan Delivery, Station Wagon 1934)	32-34
†A 14428	Wiring assy (cowl lamp)-Used on cars not having cowl lamps as standard equipment	1	Pass, Comm	28-31
†A 14430	Wiring assy (fender lamp switch)	1	Pass, Comm	29-31
B 14431	Cable assy (starter switch to starter)	1	Pass, Comm (4 cyl)-Trucks (8 cyl)	32-34
B 14431	Cable assy (starter motor to starter switch)	1	COE	38-47
18 14431	Cable assy (starter switch to starter)-LHD	1	(Pass 1932-36)(Comm 1935-36)	32-36
51 14431	Cable assy (starter switch to starter)	1	Trucks	35-36
ONC 14431	Cable assy (switch)-overall length 33"	1	Comm, Trucks (4 cyl)	41-42
1GA 14431	Cable assy (starter motor to relay)-overall length 18"	1	Pass, Comm, Trucks except COE (6 cyl "G" & 8 cyl)	37-47
		1	Pass (8 cyl)	48
1GC 14431	Cable assy (switch to starter)	1	Sedan Delivery (6 cyl)	41-47
7BA 14431	Cable assy (starter motor to relay)-30" long	1	Pass (6 cyl "H" Series)	47-48
7HC 14431	Cable assy (starter motor to relay)-37 1/2" long	1	Comm, Trucks except COE (6 cyl "H" Series)	47
	33798-S8 Nut (battery cable to relay terminal)-5/16"-24	1	Pass	37-48
		1	Comm, Trucks	37-47
	33798-S8 Nut (starter cable to relay terminal)-5/16"-24	1	Pass, Comm, Trucks	37-48
		1	Comm, Trucks	37-47
	33797-S16 Nut (battery to switch cable terminal bolt)-5/16"-18	1	Pass	38-48
		1	Comm, Trucks	38-47
	34392-S16 Locknut (battery to switch cable terminal bolt)-5/16"-18	1	Pass	38-48
		1	Comm, Trucks	38-47
51A 14432	Wire assy (engine-excessive heat indicator)	1	Pass (8 cyl) Comm, Trucks (8 cyl)	46-48 46-47
46 14436	Wiring assy (horn connector)	1	Pass, Comm, Trucks	33-35
50 14436	Wiring assy (horn connector)	1	Comm, Trucks	35-37
†68 14436-A	Wiring assy (horn connector)	1	(Pass 1936-37)(Comm & Truck except COE 1938-42)	36-42
†68 14436-A	Wiring assy (horn connector)	1	Comm, Trucks	44-47
09B 14436	Wire assy (horn motor connection)-overall length 13.5"	1	(Pass 1939-47)(Comm 1940)	39-47
	9IT-2081 Clip (horn relay wiring)	3	Pass	39-47
11A 14436-B	Wiring assy (horn)	1	Pass-Special	41-42

† No Longer Supplied



CHASSIS PARTS CATALOGUE

PART NUMBER	PART NAME	NO. REQ'D	MODEL	YEAR
Terminals, Wiring Clips, Supports, etc.				
†A 14451-A	Terminal (battery negative)	1	Pass, Comm, Trucks	28-31
†A 14451-A	Terminal (battery negative)	1	Pass Comm, Trucks	38-48 38-47
11A 14452	Terminal (battery cable)-used with 14300 cables or 14431 cables	1 1	Pass Comm, Trucks	37-48 37-47
78 14453	Terminal (spark plug)-snap on-straight type	As Reqd	Pass, Comm, Trucks	28-48
78A 14453	Terminal (spark plug)-snap on-elbow type	As Reqd	Pass, Comm, Trucks	28-48
B 14455	Sleeve (wiring)-rubber	As Req'd	Pass, Comm, Trucks	28-48
B 14455	Sleeve (back up lamp wire to switch)	1	Pass (Refer to Back Up Lamp Group)	42-48
8A 14455-A	Sleeve (electrical wiring)-#14-16 gauge	As Reqd	Pass, Comm, Trucks	28-48
8A 14455-B	Sleeve (electrical wiring)-#10-12 gauge	As Reqd	Pass, Comm, Trucks	28-48
†A 14459-B	Terminal (head lamp plug)	2	Pass	29
01A 14461	Terminal (wire)-snap clinch type	2	Pass, Comm	28-31
01A 14461	Terminal (wire)-bullet type		Pass, Comm, Trucks	41-47
B 14462	Terminal (wire)-end type-.34" diameter hole	1	Pass, Comm	28-32
B 14462	Terminal (wire)-end type	1	Pass, Comm, 134", 157" Trucks except COE	38-39
B 14462	Terminal (hydraulic pump motor wire)-end type	1	Sportsman Coupe, Club Convertible	46-48
B 14463	Terminal (wire)-end type-.19" diameter hole	1	Pass, Comm	31-36
B 14463	Terminal (wire)	1	Pass, Comm, 134", 157", Trucks	38-39
B 14463	Terminal (back up lamp wire)		Refer to Back Up Lamp Group	
8A 14463-A	Terminal (wire)-eyelet-for #8-10 stud & #14-16 gauge wire	As Reqd	Pass, Comm, Trucks	28-48
8A 14463-B	Terminal (wire)-eyelet-for #8-10 stud & #10-12 gauge wire	As Reqd	Pass, Comm, Trucks	28-48
8A 14463-C	Terminal (wire)-eyelet-for #4-6 stud & #14-16 gauge wire	As Reqd	Pass, Comm, Trucks	28-48
†B 14464	Terminal (wire)-side type-.19" diameter hole	1	Pass, Comm	28-36
81W 14464	Clip (wire capillary tube & speedometer cable to dash)	2	COE	38-42
81W 14464	Clip (light switch wire to radiator flange)	1	COE	46-47
	†20330-S7 Bolt (wiring assy clip to engine)-7/16"-14 x 5/8"	1 or 2	COE	38-47
†B 14465	Terminal (horn & switch wire)-on cutout	1	Pass, Comm (4 cyl)	28-32
B 14466	Terminal (high tension wire)	As Reqd	Pass, Comm, Trucks	28-48
A 14471	Connector assy (windshield wiper)	1	Pass, Comm	28-30
B 14475	Terminal (lighting switch wire)-double	3	Pass, Comm (4 cyl)	28-32
†A 14476	Extension (windshield wiper terminal)	1	Fordor	28-31
21A 14479-A	Spring (horn button index)	1	Pass-Special & DeLuxe	42-48
B 14487	Connector & sleeve (cowl lamp wire connector)-at lighting switch	1	Pass, Comm	32-34
B 14487	Connector & sleeve assy (front turn indicator wiring terminals)	1	Pass (Refer to 18440)	42-48
B 14487	Connector & sleeve assy (wire)	2	Pass, Comm	29-34
B 14487	Connector (rear lamp extension wire)	2	AA 225A (Refer to A 14423-D)	31
B 14487	Connector & sleeve assy (wire)	2	Tudor, Fordor	37
B 14487	Connector & sleeve assy (wire)	As Req'd	(Pass 1938-48)(Comm, Trucks 1938-47)	38-48

† No Longer Supplied



CHASSIS PARTS CATALOGUE

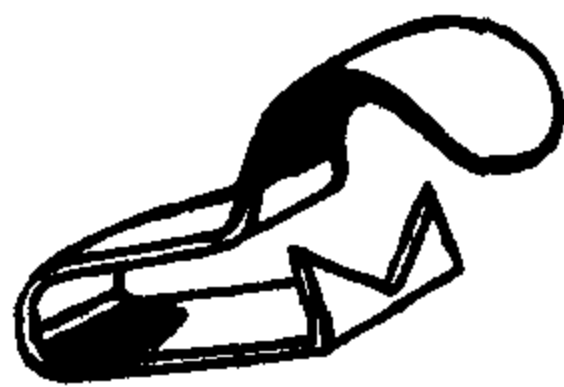
PART NUMBER	PART NAME	NO. REQ'D	MODEL	YEAR
B 14487	Connector & sleeve (back up lamp wire)	1	Pass (Refer to Back Up Lamp Group)	42-48
81A 14487	Connector & sleeve assy	As Req'd	Pass, Comm, Trucks	38-48
11A 14487	Connector (stoplight switch terminal)	1	Pass Comm, Trucks	41-48 41-47
21A 14487	Connector (roadlamp wire)-"Y" type	1	Pass, Comm, Trucks (Refer to Roadlamp Group)	41-48
8A 14487-A	Connector assy (wire)-permanent splice-for # 16 gauge wire	As Req'd	Pass, Comm, Trucks	28-48
8A 14487-B	Connector assy (wire)-permanent splice-for # 14 gauge wire	As Req'd	Pass, Comm, Trucks	28-48
8A 14487-C	Connector assy (wire)-permanent splice-for # 12 gauge wire	As Req'd	Pass, Comm, Trucks	28-48
8A 14488	Connector (wire)-#14-16 gauge	As	Pass, Comm, Trucks	28-48
0A 14492	Switch & wiring assy (turn indicator)-less flasher, clamp & bulb	1	Pass (Refer to 18440)	42-48
0A 14499	Wiring assy (front turn indicator & parking lamp to splice)	1	Pass (Refer to 18440)	42-48
51A 14506-B	Cable assy (starter solenoid to pump solenoid)	1	Convertible Coupe & Sportsman Coupe	46-48
51A 14508	Wiring assy (window regulator switch to solenoid)	2	Sportsman Coupe	46-48
51A 14515	Switch (hydraulic pump motor solenoid)	1	Convertible Coupe & Sportsman Coupe	46-48
51A 14518	Wire assy (horn relay resistor)-to eliminate shock at horn -also used with 51A 13823 Kit	1	Pass	32-48
51A 14519	Ground strap (hydraulic pump to ground)	1	Convertible Coupe & Sportsman Coupe)	46-48
46 14525	Block assy (fuse)	1	Pass, Comm, Trucks	32-34
	†27686-S Screw (fuse block terminal)- No.6-32 x 3/16"	1	Pass, Comm, Trucks	32-34
	34801-S7 Lockwasher-No.6			
	28923-S7 Screw (fuse block to instrument panel bracket)-No.10-32 x 7/16"	1	Pass, Comm, Trucks	32-34
	34079-S7 Nut-No.10-32			
	34803-S7 Lockwasher-No.10			
11A 14526	Fuse-25 ampere	2	Pass-Special	41-42
51A 14526-A	Fuse (clock)-2 amperes	1	Pass (8 cyl)(Refer to Clock Group)	46-48
51A 14526-B	Fuse (clock)-3 amp	1	Pass (Refer to Clock Group)	46-48
7RA 14526-A	Breaker assy (light wiring circuit)-15 amp	1	Pass	46-48
8A 14526	Fuse (radio)-14 amp	1	Pass (Refer to Radio Group)	41-48
8M 14526	Fuse (turn indicator wiring)-15 amp	1	Pass (Refer to 18440)	42-48
B 14527	Kit (fuse)-20 amp-5 in carton	As Req'd		
APA 14527-A	Fuse kit assortment-consists of the following - 21-Boxes B 14527 12-Boxes APA-14527-D 9- Boxes APA-14527-B 3- Boxes APA-14527-E 9- Boxes APA-14527-C 6- Boxes APA 14527-F 1- Plastic Box APR-14527		Pass, Comm, Trucks	28-48
APA 14527-B	Fuse kit-consists of 5-3 amp fuses		Pass	46-48
APA 14527-C	Fuse kit-consists of 5-9 amp fuses		Pass	46-48
APA 14527-D	Fuse kit-consists of 5-14 amp fuses		Pass, Comm, Trucks Pass Comm, Trucks	38-40 46-48 46-47
†78 14541	Conduit (dome lamp to switch wire)	1	(Tudor & Fordor Sedan 1937)(Sedan Delivery 1938-39)	37-39
51A 14541	Conduit (horn button wire)	1	Pass	46-48
51 14543	Conduit (dome lamp wire)-replaced by 11A-14597	1	Panels	38-47
18 14548	Support assy (switch to starter cable)-LH	1	Pass	32-34
†48 14548-A	Support assy (switch to starter cable)-rubber	1	Pass, Comm	35-37

† No Longer Supplied

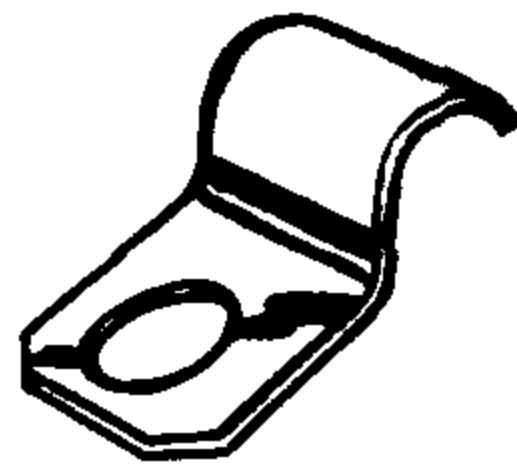


CHASSIS PARTS CATALOGUE

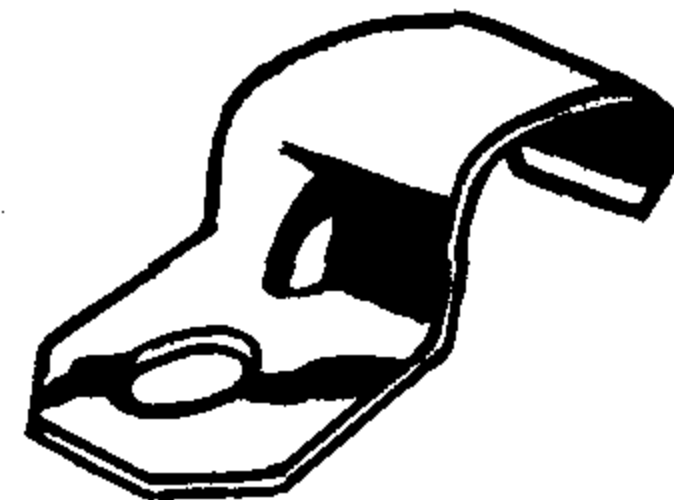
PART NUMBER	PART NAME	NO. REQ'D	MODEL	YEAR 19__
A 14550	Support assy (starter cable to starter switch)	1	Pass, Comm, Trucks	28-31
B 14550-A	Support assy (starter cable to starter switch)	1	(Pass, Comm 4 cyl-1932)(Pass, Comm, Trucks 1937)	32-37
B 14550-A	Support assy (starter cable to starter switch)	1	(Pass 47-48)(Comm, Trucks except COE 1947) (6 cyl "H" Series)	47-48
18 14550	Support assy (starter cable to starter switch)-RH	1	Pass	32-34
	20388-S7 Bolt (switch to starter cable support)-3/8"-16 x 1"	2	Pass, Comm	32-34
	34847-S2 Lockwasher-3/8"			
51 14550-A	Support assy (starter cable to starter switch)	3	Trucks	35-36
	20357-S2 Bolt (battery cable support to frame cross member)-5/16"-24 x 13/16"	1	Pass, Comm	35
	33798-S8 Nut-5/16"-24			
	34846-S2 Lockwasher-5/16"			
	33796-S7 Nut (switch to starter cable support)-1/4"-28	1	Pass, Comm	35
	34805-S8 Lockwasher (starter to switch cable)-1/4"	1	Pass, Comm	35
	44719-S8 Washer (starter to switch cable)-1/4"	1	Pass, Comm	35
A 14560-A	Box (terminal)	1	Pass, Comm, Trucks	28-31
A 14561-A	Cover (terminal box)	1	Pass, Comm, Trucks	28-31
	355112-S Screw (box to dash)-No.10-32 x 3/8"	4	Pass, Comm, Trucks	28-31
	34079-S7 Nut-No.10-32			
	34803-S7 Lockwasher-No.10			
6A 14561	Wiring assy (turn indicator switch to stop light switch)	1	Pass (Refer to 18440)	42-48
BF 14564	Connector assy (wire)	1	Pass, Comm	29-31
†9N 14564	Clip (wiring to cylinder front cover)	1	Comm, 122" Trucks (4 cyl)	41-42



B-14565



B-14577-A



11A-14577-A

P-419

B 14565	Clip (rear lamp wire)-on fender bracket	1	Pass, Comm	29-32
B 14565	Clip (headlamp wiring)-to frame	1	Pass, Comm	32-34
B 14565	Clip (rear lamp wire)	1	Pickup, Station Wagon (4 cyl)	32
B 14565	Clip (dome lamp to switch wire conduit to front pillar)	1	Pass	35-36
B 14565	Clip (headlamp wiring to frame side member at front cross member)	1	Pass, Comm	35-36

† No Longer Supplied



CHASSIS PARTS CATALOGUE

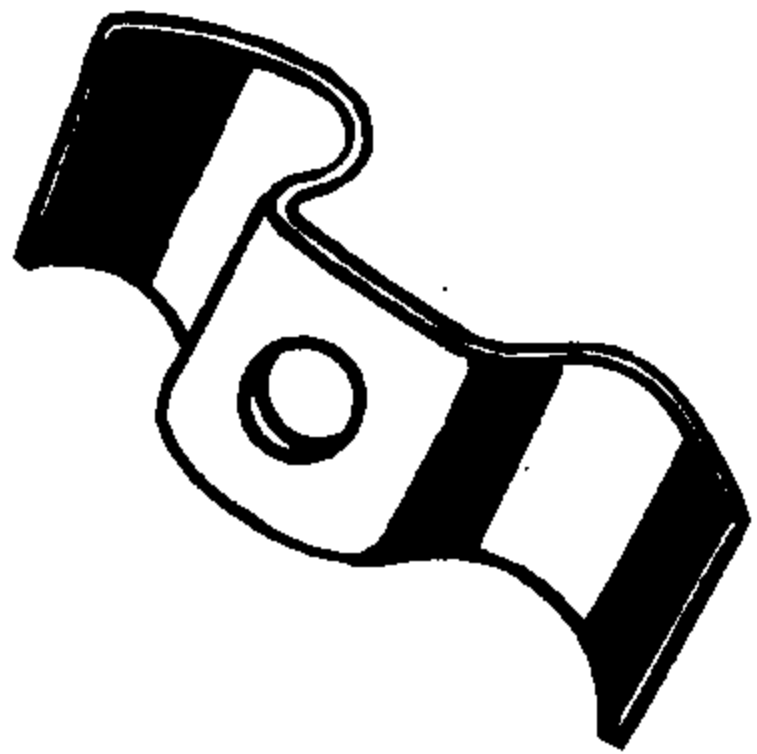
PART NUMBER	PART NAME	NO. REQ'D	MODEL	YEAR 19__
B 14565	Clip (speedometer cable to frame cross member)	1	Pass, Comm	40
B 14565	Clip (fuse block to dome lamp switch wire to windshield header corner)	1	(Pass 1938-40)(Station Wagon 1939) (Sedan Delivery 1940)	38-40
B 14565	Clip (rear lamp wire & fuel line to frame side member)	6	Pass	42
B 14565	Clip (fuel line to frame cross member)	1	Pass, Comm	41-42
B 14565	Clip (rear lamp wire extension to bumper arm)	1	(5 window Coupe-Standard 1938)(Platform Stake 1939-47)	37-47
B 14565	Clip (light switch wiring to frame side member wire)	1 or 2	Pass Comm, Trucks	38-48 38-47
B 14565	Clip (stoplight switch wire No.2 cross member gusset)	1	Trucks except COE	37-39
B 14565	Clip (wiring to radiator core to apron brace)	1	Pass, Comm	40
B 14565	Clip (dimmer switch wire to cross member)	4	Pass	46-48
B 14565	Clip (hand brake cable to cross member)	1 1	Pass Comm, Trucks	41-48 41-42
B 14565	Clip (rear lamp wire extension to bumper arm)	1	Pass	47-48
	91T-2081 Clip (horn relay wiring to dash)	1	Pass (6 cyl)	46-47
†B 14567-B	Grommet (headlamp wire conduit)-2 bulb lamp	2	(Pass, Comm, Trucks 4 cyl-1929-34)(Pass, Comm 8 cyl-1932)	29-34
B 14567-C	Grommet (horn wire conduit)	1	Pass, Comm	28-32
	B-16386 Grommet (horn wire)	1	Pass, Comm	32-33
B 14567-C	Grommet (headlamp wire conduit)	2	Pass, Comm	28-34
B 14567-C	Grommet (luggage compartment wiring in floor pan)	1	Convertible Sedan with trunk	36
B 14567-C	Grommet (air line & speedometer cable)		Refer to Fuel Gauge & Fuel Pump Group	
B 14567-C	Grommet (rear lamp wire)-in body	2	(Trucks 1935-47)(Sedan Delivery 1935-39)	35-47
B 14567-C	Grommet (speedometer cable in dash)		Refer to 17250 Speedometer Group	
21A 14570	Clamp & sleeve assy (coil to distributor wiring)	1	Pass, Comm, Trucks	42-45
21A 14570	Clamp & sleeve assy (coil to distributor wiring)	1	Pass (6 cyl) Comm, Trucks (6 cyl)	46-48 46-47
81W 14572	Clamp (wiring, speedometer cable & heat capillary tube to steering column tube)	2	COE	38-42
81W 14572	Clamp (wiring to steering column tube)	1	COE	46-47
51W 14572	Clamp (wiring to steering column tube) -stock as 8A 14572-B	1	COE	46-47
8A 14572-B	Clamp (wiring to steering column tube)	1	COE	46-47
8A 14572-B	Clamp (turn indicator wiring to steering column tube)	1	Pass (Refer to 18440)	42-48
B 14577-A	Clip (terminal box to generator conduit)	2	(Pass, Comm 1928-32)(Trucks 1928-31)	28-32
B 14577-A	Clip (rear lamp to door wire)	1	Panel Delivery	33-34
B 14577-A	Clip (instrument panel wiring to dash)	1	Comm (4 cyl)	32-34
B 14577-A	Clip (lighting switch wiring to LH engine pan bolt)	1	Pass, Comm	35-36
B 14577-A	Clip (speedometer cable to dash)		Refer to Speedometer Group	
B 14577-A	Clip (rear lamp wire to rear cross sill)	1	Panels	35-36
B 14577-A	Clip (lighting switch to head lamp wiring to frame side rail)	1	(Pass 1935)(Panels 1935-37)	35-37
B 14577-A	Clip (lighting switch wiring to frame side member)	1	Pass, Comm	35-37
B 14577-A	Clip (lighting switch wiring to frame side member)	2	Pass & 122" Trucks	38-42
B 14577-A	Clip (wiring to dash)	1 to 3	Pass, Comm, Trucks except COE	37-47
B 14577-A	Clip (headlamp wiring to frame side member)-at front cross member	1	Pass, Comm	37
B 14577-A	Clip (headlamp wiring to frame side member)-at exhaust manifold	1	Pass, Comm	37
B 14577-A	Clip (rear lamp wire)-on body	1	122" & 134" Panels	38-39
B 14577-A	Clip (windshield wiper tube & speedometer cable to dash)	1 or 2	Pass, Closed Cabs, Panels	38-42

† No Longer Supplied



CHASSIS PARTS CATALOGUE

PART NUMBER	PART NAME	NO. REQ'D	MODEL	YEAR
B 14577-A	Clip (cowl wiring to instrument panel)-LH side	1	Pass	39-40
B 14577-A	Clip (license lamp wiring to deck door hinge)	1	Tudor, Fordor	39-48
B 14577-A	Clip (speedometer cable to dash)		Refer to 17250 Speedometer Group	
B 14577-A	Clip (vacuum tube)		Refer to 59W 4190M	
B 14577-A	Clip (luggage compartment lamp)	1	Pass	47-48
	B-9295 Clip (wiring)	2	Pass, Comm, Trucks	32-34
	24324-S7 Bolt (lighting wire clip to frame)-1/4"-20 x 5/8"	1		35-37
	33795-S7 Nut-1/4"-20			
	34805-S8 Lockwasher-1/4"			
	38206-S2 Screw (wiring to dash)	1		37
11A 14577-A	Clip (wire)-on dash	1 or 3	Pass (8 cyl)	41-48
11A 14577-A	Clip (wiring to front cross member)	1	Pass (6 cyl)	42
11A 14577-A	Clip (wiring to frame side member)	1	Pass (6 cyl)	42



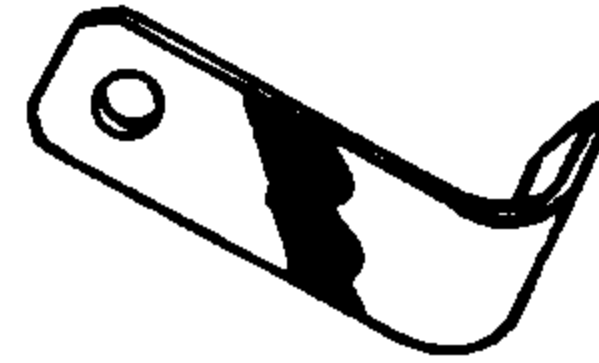
1GA-14577



OIT-14585



B-14585



11A-14585

P-418

1GA 14577	Clip (wire)-on dash	2	Pass (6 cyl)	41-48
		2	Comm, Trucks (6 cyl)	41-47
5GA 14577	Clip (cowl wiring to dash)	3	Pass (6 cyl)	46-48
51A 14577-A	Clip (license lamp wire to rear deck cover hinge support)	1	Sportsman Coupe	46-48
51A 14577-B	Clip (cowl wiring to dash)	2	Sportsman Coupe & Convertible Coupe	46-48
51A 14577-B	Clip (rear window lift wire & hydraulic tubing to floor)	3	Sportsman Coupe	46-48
	351779-S7 Screw (wiring clip to dash)-No. 14 x 5/8"	1 to 3	Pass, Comm, Trucks except COE	38-47
	35015-S7 Screw (cowl wiring to instrument panel clip to instrument panel)-No. 10-32 x 9/16"	2	Pass	39
A 14578-D	Conduit assy (headlamp wire)-non-metallic	2	AA-76B, 78A, 79B, 82B, 85B, 88A, 88B, 89A, 185B, 225A	30-31
B 14578-A	Conduit assy (headlamp wire)-rustless-replaced by A-14578-B	2	(Pass, Comm 1929-32)(Trucks 1929-31)	29-32
B 14578-B	Conduit assy (headlamp wire)-Black	2	Pass, Comm	32
40 14579	Conduit (headlamp & horn wire)	1 or 2	(Pass 1933-34)(Comm, Trucks 1935-37)	33-37
B 14581-B	Ferrule (headlamp wire conduit)	2	Pass, Comm, Trucks	28-31
A 14582-C	Conduit assy (horn wire)	1	Pass, Comm, Trucks	28-31
†A 14584-A	Plug (headlamp)-has 2 holes	2	Pass, Comm, Trucks	28-29
†A 14584-B	Plug (headlamp)-has 3 holes	2	Pass, Comm, Trucks	29
B 14584-A	Plug (headlamp)	2	(Pass, Comm 1929-32)(Trucks 1929-31)	29-32
	350001-S Screw (head lamp wire to lamp terminal screw)-No. 4 - 36 x 5/16"	4	Pass, Comm, Trucks	28-29

† No Longer Supplied

CHASSIS PARTS CATALOGUE

PART NUMBER	PART NAME	NO. REQ'D	MODEL	YEAR
B 14585	Clip (ammeter to dome lamp wire)-on front belt rail	2	Pass, Comm	32-34
B 14585	Clip (rear lamp wire)-on frame	5or6 5or6	Pass Comm, Trucks	28-48 28-47
B 14585	Clip (rear lamp wire)-on wheelhouse	1	Station Wagon	38-47
B 14585	Clip (rear lamp wire to body side)	1	Panels & Pickup	38-47
	B-9295 Clip (license lamp wire-on deck door hinge)	1	Tudor, Fordor, 5 window Coupe	39
B 14585	Clip (front belt rail ammeter wire)	1	Station Wagon	37
B 14585	Clip (instrument panel lamp wire connector to frame wire)	1	Pass, Comm	32-34
B 14585	Clip (headlamp wiring to frame side member)	1	Pass, Comm	36
B 14585	Clip (wiring assy to starter switch on frame cross member)	1	Pass, Comm	36
B 14585	Clip (speedometer cable)-on frame	2	COE (Refer to 17260)	38-47
B 14585	Clip (speedometer cable to cross-member)	1	Pass, Comm (Refer to 17260)	38-40
B 14585	Clip (speedometer cable to frame side member)	1	Pass, Comm (Refer to 17260)	36-37
B 14585	Clip (speedometer cable to dash)	1	Pass, Comm (Refer to 17260)	36-37
B 14585	Clip (wiring to frame side member at steering bracket)	1	Comm	40
B 14585	Clip (headlamp wire to front cross member)	2	Comm, Trucks except COE	42-47
01T 14585	Clip (rear lamp wire-on frame)-used with heavy duty frame	5	Trucks except 122" (Refer to 11W 14405)	44-47
01T 14585	Clip (lighting switch wiring to frame)	1 3	COE (Refer to 01C 11653) Comm, Trucks	40-47 46-47
01T 14585	Clip (rear lamp wire to frame)	1	194" Trucks (Refer to HB 14423-B)	44-47
01T 14585	Clip (foot switch & wiring assy to frame)	1 3	COE (Refer to 51W 11653) Comm, Trucks	40-47 46-47
11A 14585	Clip (cowl wiring to instrument panel)	2	Pass	41-46
51A 14585	Clip (cowl wiring to instrument panel)	1	Pass	46-48
51C 14585	Clip (electrical wiring instrument panel)	1	Comm, Trucks (6 cyl)	46-47



B-14586



B-14588



21A-14588



B-14592

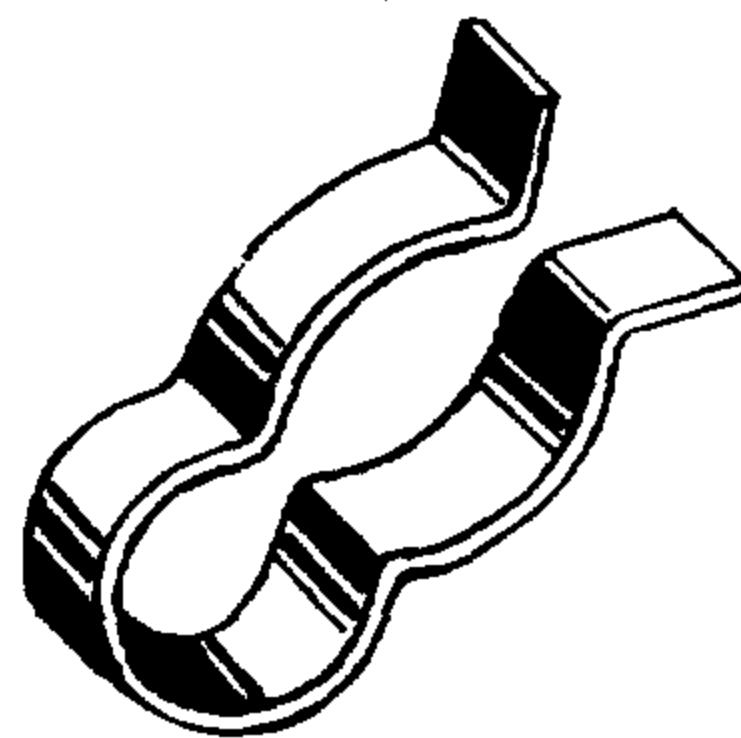
417

+B 14586	Clip (dome light switch on belt rail wire)	3	3 & 5 window Coupe	35
+B 14586	Clip (fuse block to headlamp switch wire to belt rail)	2	Tudor, Fordor	35
+B 14586	Clip (fuse block to dome lamp switch wire to front pillar)	2	Tudor, Fordor, Sedan Delivery	35
+B 14586	Clip (fuse block to dome lamp switch wire to belt rail)	2	Pass	36
+B 14586	Clip (cigar lighter wire)	1	Station Wagon	37
+B 14586	Clip (rear lamp connector wire)	3	Pass (except Std 1937-40)	33-48
+B 14586	Clip (fuel tank gauge wire to tank)	1	Pass, Comm	33-42
+B 14586	Clip (stoplight switch wire-on frame cross member brace)	1	Pass	32-39
+B 14586	Clip (brake tube to No. 1 cross member)	2	Pass-DeLuxe	39
+B 14586	Clip (license lamp wiring)	1	Pass	39-42
+B 14586	Clip (headlamp wire to radiator cross bar)	1	Pass	42-48
+B 14586	Clip (glove compartment clock connecting wire)	2	Pass-DeLuxe (Refer to Clock Group)	38

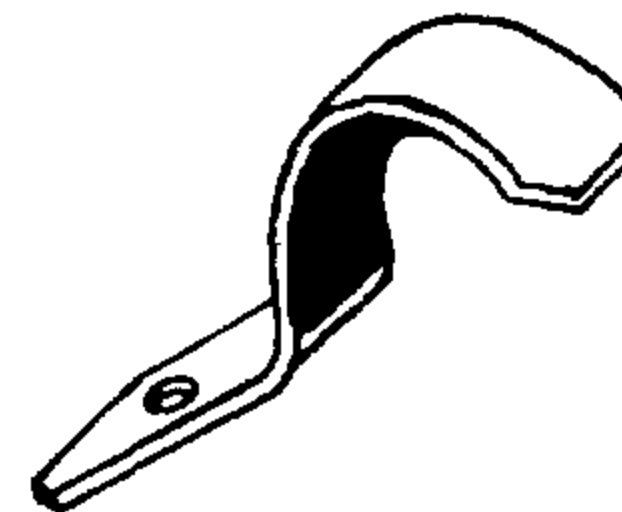
+ No Longer Supplied

CHASSIS PARTS CATALOGUE

PART NUMBER	PART NAME	NO. REQ'D	MODEL	YEAR 19__
†B 14586	Clip (stop light switch wire to frame reinforcement)	2	Pass	42-48
†B 14586	Clip (headlamp wire to radiator cross bar)	2	Pass, Trucks except COE	42
†B 14586	Clip (front window regulator solenoid wiring to inner door panel)-R & L	6	Sportsman Coupe	46-48
†B 14587-A	Grommet (ignition wire on instrument panel bracket)	1	Pass, Comm, Trucks	28-32
B 14588	Clip (fuse block to dome lamp switch wire assy)	1	Panels	35-36
B 14588	Clip (dome lamp switch to ground wire)	2	Comm, Trucks	36
B 14588	Clip (dome lamp wire)	3	Station Wagon	37
B 14588	Clip (rear window lift wiring to rear seat support panel)	4	Sportsman Coupe	46-48
B 14588	Clip (window lift wiring to dash)	3	Sportsman Coupe	46-48
B 14588	Clip (cowl wiring to instrument panel)	2	(Pass 1940)(Sedan Delivery & Station Wagon 1941)	40-41
B 14588	Clip (rear lamp wire loom to tail gate)	1	Station Wagon	41-42
B 14588	Clip (head lamp wire to front fender apron)	1 or 2	Pass	42
11A 14588	Clamp (parking lamp wire to head lamp conduit)	4	(Pass 1941-42)(Comm, Trucks 1942)	41-42
11A 14588	Clamp (oil gauge wire to starter)	1	Pass	41-42
11A 14588	Clamp (oil gauge wire to starter)	1	Pass (6 cyl)	46-48
		1	Comm, Trucks (6 cyl)	46-47
21A 14588	Clip (headlamp & parking lamp wire to fender apron)	2	(Pass, Comm 1942)(Trucks 1942-47) (Except COE 1942)	42-47
	32930-S7 Screw (wire clip)-No. 8 x 5/8"	2	Pass Comm, Trucks except COE	42-48 42-47
B 14592	Clip (rear lamp wire)-on roof railside	1	Panel Delivery	31
	32294-S2 Screw (rear lamp wire clip)- No. 10 x 1"	1	Panel Delivery	31
B 14592	Clip (cowl wiring to instrument panel)	2	Pass	39
B 14592	Clip (cowl wiring to instrument panel)	1 or 2	Pass	41-48



18-14595



11A-14598

P-550

†18 14595	Clip (wire)	2	Pass	32-34
†18 14595	Clip (instrument panel lamp connector wire to switch to starter cable)	2	Pass, Comm	35-36
B 14597	Conduit (headlamp wire)	2	Comm, Trucks	38-42
B 14597	Conduit (headlamp wire)	2	Comm, Trucks	33-34
B 14597	Conduit (rear lamp wire)	1 or 2	(Pass 1928-37)(Comm, Trucks 1928-47) (Station Wagon 1938-40)	28-47
B 14597	Conduit (rear license lamp socket wire)	1	Pass	38-39
11A 14597	Conduit (rear lamp wire)-Brown	1	Station Wagon	41-48
51A 14597	Conduit (rear lamp wiring)	1	Sedan Delivery	46-48
11A 14598	Clip (headlamp wire)-on frame	1	Pass, Comm, Trucks	29-32
11A 14598	Clip (headlamp wire to apron)	2	COE	46-47
11A 14598	Clip (cowl wiring to instrument cluster)	1	Trucks except COE	46-47
11A 14598	Clip (cowl & head lamp wire)	As Reqd	Pass, Comm, Trucks	41-42

† No Longer Supplied



CHASSIS PARTS CATALOGUE

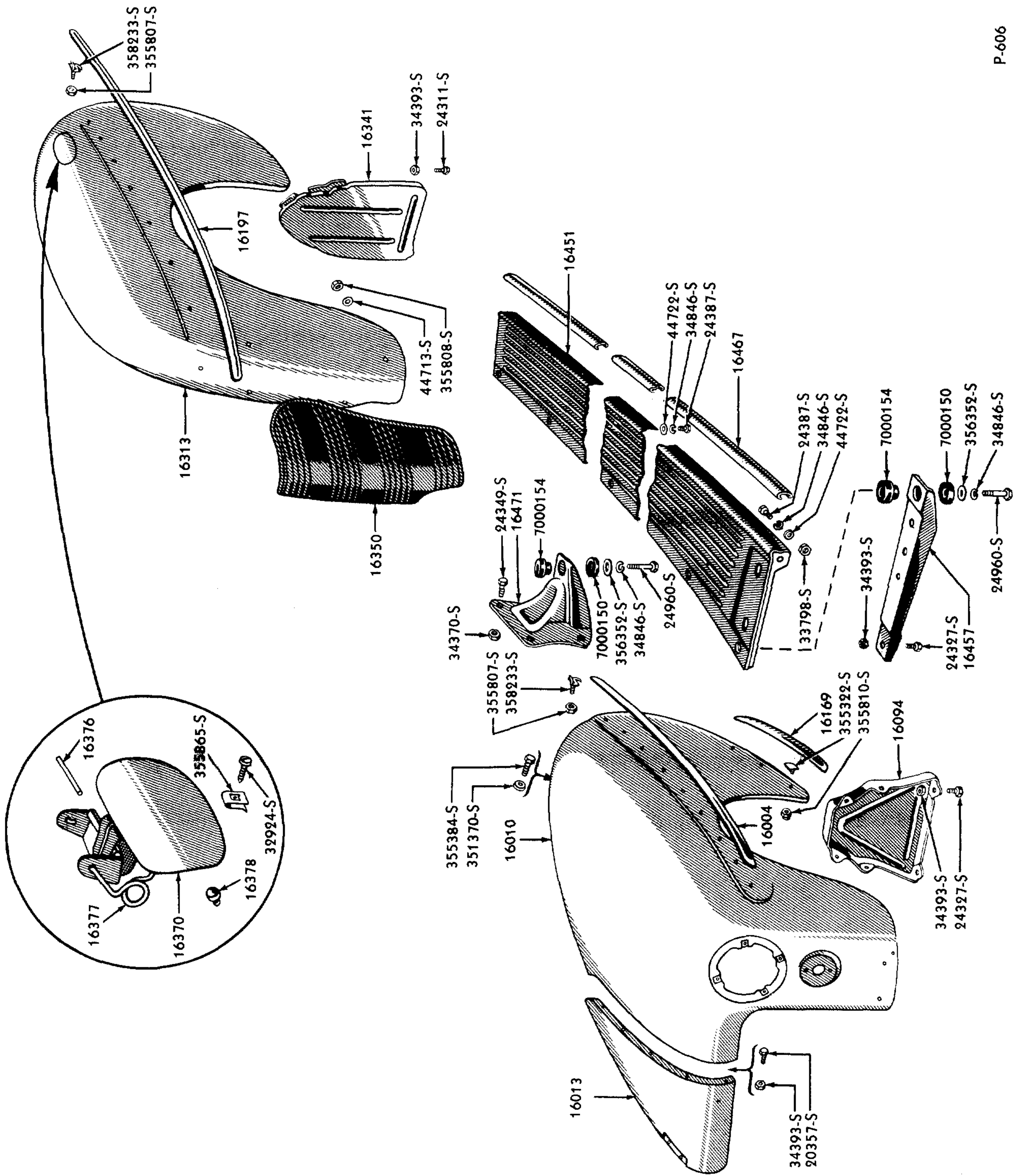
PART NUMBER	PART NAME	NO. REQ'D	MODEL	YEAR
51A 14598	Clip (hood latch cable & electrical wiring)	4	Pass	46-48
	351779-S7 Screw (cowl wiring cover to dash)-No. 14 x 5/8"	3	Comm, Trucks except COE	44-47
†21A 14600	Cover (wiring)-on dash	1	Pass	41-48
A 14601	Washer (headlamp plug spacer)	2	Pass, Comm, Trucks	29-30
91A 14602-A	Grommet (windshield wiper tube & heat capillary)-round-LHD	1	Pass, Comm, Trucks except 01A66 & COE	39-42
91A 14602-A	Grommet (windshield wiper tube)-in dash	1	Pass	46-48
01T 14602-A	Grommet (speedometer cable & windshield wiper tube)-in dash	2	Closed Cabs, Panels	40-42
01T 14602-A	Grommet (speedometer cable & windshield wiper tube)-in dash	1	Comm except COE	44
51T 14602-A	Grommet (speedometer cable & windshield wiper tube hole in dash)	1	Comm, Trucks except COE (8 cyl)	45-47
51T 14602-B	Grommet (speedometer cable)-rubber	1	Comm, Trucks except COE (6 cyl)	46-47
B 14603-B	Grommet (speedometer cable)-in dash	1	Pass, Comm	32
91C 14603	Grommet (windshield wiper tube & heat capillary)-oval	1	Comm, Trucks except COE	39
B 14604	Grommet (fuel gauge indicator line)-in dash	1	Pass, Comm (Refer to 9297)	32-34
B 14604	Grommet (choke & throttle control rod)-in dash	1	Pass, Comm, Trucks	32-35
B 14604	Grommet (starter switch rod)	1	Pass, Comm, Trucks	30-31
B 14604	Grommet (coil to distributor wiring)-in dash	1	Pass, Comm	32
B 14604	Grommet (windshield wiper tube to engine cover)	1	COE (Refer to 17558)	38-47
B 14604	Grommet (airline)-in battery support	3	COE	40-42
B 14605-A	Grommet (choke & throttle control rod in dash)	2	(Pass 1935-40)(Comm, Trucks except COE 1935-47)(Sedan Delivery 1942)	35-47
B 14605-A	Grommet (starter switch control)	1	Pass, Comm	32
B 14605-A	Grommet (hood catch cable in dash)	1	Pass	41-48
B 14605-A	Grommet (choke control rod)	1	Pass, Comm, Trucks(8 cyl)(Refer to 9700)	35-39
11A 14605-A	Grommet (carburetor control rod to bracket in dash)-rubber	2	Pass	41-48
B 14606-A3	Grommet (speedometer cable in center cross member)	1	Pass, Comm	32
B 14607-A	Grommet (battery switch cable)	1	Pass, Comm, Trucks	32
B 14607-A	Grommet (battery switch cable)	1	Trucks	35
B 14607-A	Grommet (battery to starter switch cable through center cross member)	1	Trucks	35-36
B 14607-A	Grommet (hand brake & brake pedal to cross shaft rod)-in No. 3 cross member	1	Trucks (Refer to 2269)	39-40
46 14610-A	Grommet (choke control, wiper tube, air line & speedometer cable in dash)	1	Comm, Trucks	34
46 14610-A	Grommet (rear cross sill panel)	1	Panels	35-37
46 14610-A	Grommet (tail light wire)	1	Panels	38-47
40 14612-A	Grommet (choke & throttle control rod)	2	Pass, Comm, Trucks (8 cyl)	33-37

† No Longer Supplied

Numerical List of 15000 Series Accessories

PART NUMBER	PART NAME	Group IN WHICH Part IS LISTED	PART NUMBER	PART NAME	Group IN WHICH Part IS LISTED
+78 15001-B	Retainer	Clock	21A 15211	Plate	Road Lamp
+81A 15001	Retainer	Clock	+51A 15211	Washer	Road Lamp
+21A 15002-A	Clock	Clock	78 15214	Door	Road Lamp
+21A 15005-A	Clock	Clock	01A 15214-A	Door	Road Lamp & Spotlight
51A 15005-C	Clock	Clock	01A 15214-B	Door	Road Lamp
6A 15005-A	Clock	Clock	11A 15214-A	Door	Road Lamp
48 15021	Bulb	Cigar Lighter	11A 15214-B	Door	Road Lamp
48 15021	Bulb	Clock	21A 15214-A	Door	Road Lamp
48 15021	Bulb	Hot Air Heater	21A 15214-B	Door	Road Lamp
48 15021	Bulb	Turn Indicator	51A 15214	Door	Road Lamp
48 15021	Bulb	Refer to 40 13730, 51A 3676-B, 01C 13580	78 15215	Lens	Road Lamp
91A 15026-C	Wiring	Clock	01A 15215	Lens	Road Lamp
11A 15026	Wiring	Clock	21A 15215	Lens	Road Lamp
21A 15026-B	Wiring	Clock	+11A 15216	Gasket	Road Lamp
59A 15026	Wiring	Clock	+11A 15217	Wire	Road Lamp
+48 15027	Connector	Clock	78 15218-A	Reflector	Road Lamp
+91A 15027	Wiring	Clock	78 15218-B	Reflector	Road Lamp
78 15032	Knob	Clock	01A 15218	Reflector	Road Lamp & Spotlight
+01A 15032	Knob	Clock	11A 15218-B	Reflector	Road Lamp
+78 15036	Cap	Clock	01A 15220	Bulb	Road Lamp & Spotlight
+01A 15120	Bracket	Hot Air Heater	11A 15220-C	Bulb	Road Lamp
01A 15122-A	Switch	Hot Air Heater	21T 15220-B	Bulb	Road Lamp
01A 15122-A	Switch	Hot Water Heater	78 15222	Shield	Road Lamp & Spotlight
01A 15122-B	Switch	Hot Water Heater	91A 15224	Switch	Road Lamp
21A 15122-A	Switch	Hot Air Heater	11A 15224	Switch	Road Lamp
21A 15122-B	Switch	Repl. by 8C 18578-A	78 15226	Clamp	Road Lamp
51A 15122-B	Switch	Repl. by 8C 18578-A	+51A 15229	Ring	Road Lamp
51C 15122	Switch	Repl. by 8C 18578-A	78 15232	Washer	Road Lamp
11A 15129	Fan	Hot Water Heater	+51A 15232	Washer	Spotlight
11A 15133	Core	Hot Water Heater	11A 15234-A	Ornament	Road Lamp & Spotlight
11T 15133-A	Core	Hot Water Heater	11A 15239	Wire	Road Lamp
51A 15133-A	Core	Hot Water Heater	51A 15239	Wire	Road Lamp
51A 15133-B	Core	Hot Water Heater	+51A 15244	Wire	Road Lamp
01A 15136	Valve	Hot Air Heater	51A 15245	Wire	Road Lamp
51T 15133-B	Core	Hot Water Heater	6A 15323	Bracket	Spotlight
91A 15142	Valve	Hot Water Heater	+6A 15328	Rim	Spotlight
91A 15145	Extension	Hot Water Heater	6A 15330	Bulb	Spotlight
11A 15149	Case	Hot Water Heater	8C 15330	Bulb	Spotlight
91A 15152	Bracket	Hot Water Heater	51A 15332	Switch	Spotlight
91A 15160-A	Nipple	Hot Water Heater	6A 15350	Handle	Spotlight
5GA 15167	Hose	Hot Water Heater	+6A 15362	Handle	Spotlight
91A 15169	Housing	Hot Air Heater	11A 15374	Nut	Road Lamp & Spotlight
74 15173	Tube	Hot Air Heater	11A 15375	Screw	Road Lamp & Spotlight
+78 15173-B	Tube	Hot Air Heater	51A 15500	Lamp	Back Up Lamp
+81A 15173	Tube	Hot Air Heater	51A 15504	Reflector	Back Up Lamp
01A 15173	Tube	Hot Air Heater	51A 15506	Wire	Back Up Lamp
2GA 15173	Tube	Hot Air Heater	51A 15509	Spring	Back Up Lamp
+91A 15185	Elbow	Hot Air Heater	51A 15510	Gasket	Back Up Lamp
11A 15199	Valve	Repl. by 91A 15142	51A 15513	Door	Back Up Lamp
51A 15204	Plate	Road Lamp	51A 15514	Lens	Back Up Lamp
51A 15206	Bracket	Road Lamp	51A 15517	Bracket	Back Up Lamp
+11A 15207	Adapter	Road Lamp	51A 15520-A	Switch	Back Up Lamp
21T 15207	Adapter	Road Lamp	+51A 15523	Washer	Back Up Lamp
51A 15208	Spacer	Road Lamp	+51A 15525	Wire	Back Up Lamp
78 15209-B	Bracket	Road Lamp	51A 15526	Washer	Back Up Lamp
01A 15209	Arm	Road Lamp	51A 15527	Wire	Back Up Lamp
+21A 15209	Arm	Road Lamp	51A 15550-B	Lamp	Utility Lamp
51A 15209	Arm	Road Lamp	51A 15700	Lamp Kit	Engine Compartment Lamp
78 15211	Clamp	Road Lamp	51A 15706	Switch	Engine Compartment Lamp
			+51A 15707	Spring	Engine Compartment Lamp
			+51A 15709	Wiring	Engine Compartment Lamp

† No Longer Supplied



P-606

1947-48 PASSENGER FENDERS, RUNNING BOARD, ETC.
 Basic numbers only shown on illustration. Order by Part Numbers shown in list of parts.



CHASSIS PARTS CATALOGUE

PART NUMBER	PART NAME	NO. REQ'D	MODEL	YEAR
Front Fender				
68 16000	Moulding (front fender to shell apron)-RH	1	Pass	36
68 16001	Moulding (front fender to shell apron)-LH	1	Pass	36
11A 16003	Moulding (front fender side)-RH	1	Pass-Super DeLuxe	41
21A 16003-A	Moulding (front fender side)-RH-beaded	1	Pass (except DeLuxe 1942)	42-47
6A 16003	Moulding (front fender side)-upper-RH-plain	1	Pass	47-48
11A 16004	Moulding (front fender side)-LH	1	Pass-Super DeLuxe	41
21A 16004-A	Moulding (front fender side)-LH-beaded	1	Pass (except DeLuxe 1942)	42-47
	355096-S7 Bolt (front fender moulding)- No.8-32 x 3/8"	26	Pass	41-42
	350185-S7 Bolt (front fender moulding)- No.10-24 x 3/8"	20	Pass	46-47
	355807-AS7 Nut (front fender moulding)- No.10-24	20	Pass	46-47
6A 16004	Moulding (front fender side)-upper-LH-plain	1	Pass	47-48
	358233-S7A Retainer (front fender upper moulding)	20	Pass	47-48
	355807-AS7 Nut (front fender upper moulding)	20	Pass	47-48
†A 16005-A	Fender (front)-RH	1	Pass, Comm, Trucks	28-29
†A 16005-C	Fender (front)-RH	1	Pass, Comm, Trucks	30-31
†B 16005	Fender (front)-RH	1	Pass, Comm, Trucks	32
†40 16005-B	Fender (front)-RH	1	Pass	33-34
†46 16005	Fender (front)-RH	1	Comm, Trucks	33-34
†48 16005-B	Fender (front)-RH	1	Pass	35
†50 16005	Fender (front)-RH	1	Comm	35-37
51 16005	Fender (front)-RH	1	Trucks	35-37
†68 16005	Fender (front)-RH	1	Pass	36
78 16005	Fender (front)-RH	1	Pass	37
	†350656-S2 Bolt (covers hole not used for horn wire)-1/2"-20 x 1"	1	(Pass, Comm 1935-37)(Trucks 1935-36)	35-37
	33846-S8 Nut -1/2"-20			
	34809-S8 Lockwasher -1/2"			
81A 16005-A	Fender (front)-RH	1	Pass-Std, Sedan Delivery	38
81A 16005-B	Fender (front)-RH	1	(Pass-DeLuxe 1938)(Pass-Standard 1939)	38-39
81C 16005	Fender (front)-RH	1	Comm	38-39
81T 16005	Fender (front)-RH	1	Trucks except COE	38-39
81W 16005	Fender (front)-RH	1	COE	38-47
01A 16005	Fender (front)-RH	1	(Pass-DeLuxe 1939)(Pass 1940)(Sedan Delivery 1941)	39-41
01C 16005	Fender (front)-RH	1	Comm (except Sedan Delivery 1941)	40-41
01T 16005	Fender (front)-RH	1	Trucks except COE	40-41
21C 16005	Fender (front)-RH	1	Comm	42-47
21T 16005	Fender (front)-RH	1	Trucks except COE (Comm with 6.00" x 18" wheel)	42-47
†A 16006-A	Fender (front)-LH	1	Pass, Comm, Trucks	28-29
†A 16006-C	Fender (front)-LH	1	Pass, Comm, Trucks	30-31
†B 16006	Fender (front)-LH	1	Pass, Comm, Trucks	32
†40 16006-B	Fender (front)-LH	1	Pass	33-34
†46 16006	Fender (front)-LH	1	Comm, Trucks	33-34
†48 16006	Fender (front)-LH	1	Pass	35

† No Longer Supplied



CHASSIS PARTS CATALOGUE

PART NUMBER	PART NAME	NO. REQ'D	MODEL	YEAR 19__
† 50 16006	Fender (front)-LH	1	Comm	35-37
† 51 16006	Fender (front)-LH	1	Trucks	35-37
† 68 16006	Fender (front)-LH	1	Pass	36
78 16006	Fender (front)-LH	1	Pass	37
81A 16006-A	Fender (front)-LH	1	Pass-Std, Sedan Delivery	38
81A 16006-B	Fender (front)-LH	1	(Pass-DeLuxe 1938)(Pass-Standard 1939)	38-39
81C 16006	Fender (front)-LH	1	Comm	38-39
81T 16006	Fender (front)-LH	1	Trucks except COE	38-39
81W 16006	Fender (front)-LH	1	COE	38-47
01A 16006	Fender (front)-LH	1	(Pass-DeLuxe 1939)(Pass 1940)(Sedan Delivery 1941)	39-41
01C 16006	Fender (front)-LH	1	Comm (except Sedan Delivery 1941)	40-41
01T 16006	Fender (front)-LH	1	Trucks except COE	40-41
21C 16006	Fender (front)-LH	1	Comm	42-47
21T 16006	Fender (front)-LH	1	Trucks except COE (Comm with 6.00" x 18" wheel)	42-47
	353262-S Clip (headlamp wiring on front fender to grille bolt)	4	Comm, Trucks except COE	42-47
	353262-S Clip (headlamp wiring to LH air deflector top mounting bolt)	1	Pass	46-48
	B-8130 Spring (front fender to cowl)	2	Comm, Trucks except COE	44-47
21A 16009-A	Fender (front)-RH	1	Pass-DeLuxe & Special	42-47
21A 16009-B	Fender (front)-RH-replaced by 21A 16009-A	1	Pass (except DeLuxe 1942)	42-47
6A 16009	Fender (front)-RH-parking lamp below headlamp	1	Pass	47-48
	6A-16168 Moulding (front fender)-lower-RH-plain	1	Pass	47-48
6AS 16009-A	Fender (front)-RH-for 7.00 x 16 tire	1	Pass	46-48
6AS 16009-B	Fender (front)-RH-for 9.00 x 13 tire	1	Pass	46-48
21A 16010-A	Fender (front)-LH	1	Pass-DeLuxe & Special	42
21A 16010-B	Fender (front)-LH-replaced by 51A 16010	1	Pass (except DeLuxe 1942)	42-46
51A 16010	Fender (front)-LH-less emblem holes-repl. by 21A 16010-A	1	Pass (except DeLuxe 1942)	42-47
6A 16010	Fender (front)-LH-parking lamp below headlamp	1	Pass	47-48
	355384-S7 Bolt (front fender to cowl panel)-5/16"-24 x 1 1/2"	10	Pass	47-48
	351370-S2 Washer-5/16"			
	6A-16169 Moulding (front fender)-lower-LH-plain	1	Pass	47-48
	355322-AS7 Retainer (front fender lower moulding)- 1/4"-20 x 5/8"	6	Pass	47-48
	355810-AS7 Nut (front fender lower moulding bolt)-1/4"-20	6	Pass	47-48
	78-700247-A Insulator (front fender to cowl side)	4 or 8	(Pass 1939-48)(Sedan Delivery 1941)	39-48
	29A-16346-A Anti-squeak (front fender to cowl)-Black-use 48-16070	2	Pass	42-48
	51A-16346-E Anti-squeak (front fender to cowl)-Maroon	2	Pass	46-48
	51A 16347-F Anti-squeak (front fender to cowl)-Blue Green	2	Pass	46-48
	51A-16346-G Anti-squeak (front fender to cowl)-Gray -repl. by 48-16070	2	Pass	46-48
	48-16070-S Anti-squeak (front fender to cowl)-Black	2	Pass	42-48
	M-17772-D Anti-squeak (front fender)	As Req'd	(Pass 1938-48)(Comm, Trucks 1938-47)	38-48

† No Longer Supplied



CHASSIS PARTS CATALOGUE

PART NUMBER	PART NAME	NO. REQ'D	MODEL	YEAR
				19__
6AS 16010-A	Fender (front)-LH-for 7.00 x 16 tire	1	Pass	46-48
6AS 16010-B	Fender (front)-LH-for 9.00 x 13 tire -repl. by 6A-16010	1	Pass	46-48
21A 16012	Extension (front fender)-RH-between fender & hood- with parking lamp hole	1	Pass	42-47
6A 16012	Extension assy (front fender)-RH-between fender & hood	1	Pass	47-48
21A 16013	Extension (front fender)-LH-between fender & hood- with parking lamp hole	1	Pass	42-47
6A 16013	Extension assy (front fender)-LH-between fender & hood	1	Pass	47-48
	20357-S2 Bolt (front fender extension to fender)-5/16" -24 x 13/16"	10	Pass	47-48
	34393-S7 Locknut -5/16" -24			
68 16022	Apron (front fender)-front-RH	1	Pass	36
68 16023	Apron (front fender)-front-LH	1	Pass	36
†A 16025-A2	Bracket (front fender)	2	Pass, Comm, Trucks	28-29
†A 16025-B4	Bracket (front fender)	2	Pass, Comm, Trucks	30-31
†B 16025	Bracket (front fender)	2	Pass, Comm, Trucks	32
46 16025	Bracket (front fender)-RH	1	Comm, Trucks	33-34
†46 16026	Bracket (front fender)-LH	1	Comm, Trucks	33-34
†AA 16030	Shield assy (front fender)-LH	1	AA-229A-Dump Truck, 242A, 300A, 199A, 210A, 270A, 275A, 280A, 285A, 239A	31
11A 16030	Fender (front)-RH-lower half-use with 11A-16060-AorC	1	Pass	41
	11A-16168 Moulding (front fender front)-RH- beaded	1	Pass-Super DeLuxe	41
11A 16031	Fender (front)-LH-lower half-use with 11A-16061-AorC	1	Pass	41
	11A-16169 Moulding (front fender front)-LH- beaded	1	Pass-Super DeLuxe	41
†48 16032	Bracket (front fender)-front-RH	1	Pass	35
68 16032	Bracket (front fender)-front-RH	1	Pass	36
48 16033	Bracket (front fender)-front-LH	1	Pass	35
68 16033	Bracket (front fender)-front-LH	1	Pass	36
11A 16034-B	Grille (front fender lower front panel)-RH-chrome	1	Pass	41
†B 16035	Fender (front)-RH-with well	1	Pass, Comm	32
†BB 16035-A	Fender (front)-RH-with well	1	Trucks	32
†BB 16035-B	Fender (front)-RH-with well	1	Trucks	33-34
†40 16035	Fender (front)-RH-with well	1	Pass, Sedan Delivery	33-34
68 16035	Moulding assy (front fender to grille apron)-front	2	Pass	36
11A 16035-B	Grille (front fender lower front panel)-LH-chrome	1	Pass	41
†A 16036-A	Fender (front)-LH-with well	1	Pass, Comm	28-30
†A 16036-C	Fender (front)-LH-with well	1	Pass, Comm	30-31
†BB 16036-A	Fender (front)-LH-with well	1	Trucks	32
†BB 16036-B	Fender (front)-LH-with well	1	Trucks	33-34
81C 16043	Apron (front fender)-RH	1	Comm	38-39
11T 16043	Apron (fender)-RH	1	Trucks except COE	38-41
6HA 16043	Panel (front fender apron)-rear-R.H.	1	Pass (6 cyl)	47-48
81C 16044	Apron (front fender)-LH	1	Comm	38-39
11T 16044	Apron (fender)-LH	1	Trucks except COE	38-41
51A 16046	Clip (front fender to radiator grille panel)	4	Pass	46-48
40 16047-B	Bracket (front fender)-front-RH	1	Pass	33-34
50 16047	Bracket (front fender)-front-RH	1	Comm	35-37
51 16047	Bracket (front fender)-front-RH	1	Trucks	35-37
81C 16047	Bracket (front fender & headlamp)-RH	1	Comm	38-39
81T 16047	Bracket (front fender & headlamp)-RH	1	Trucks except COE	38-40
01T 16047	Bracket (front fender)-RH	1	Trucks except COE	40
11T 16047	Bracket (front fender)-RH	1	Trucks except COE	41

† No Longer Supplied