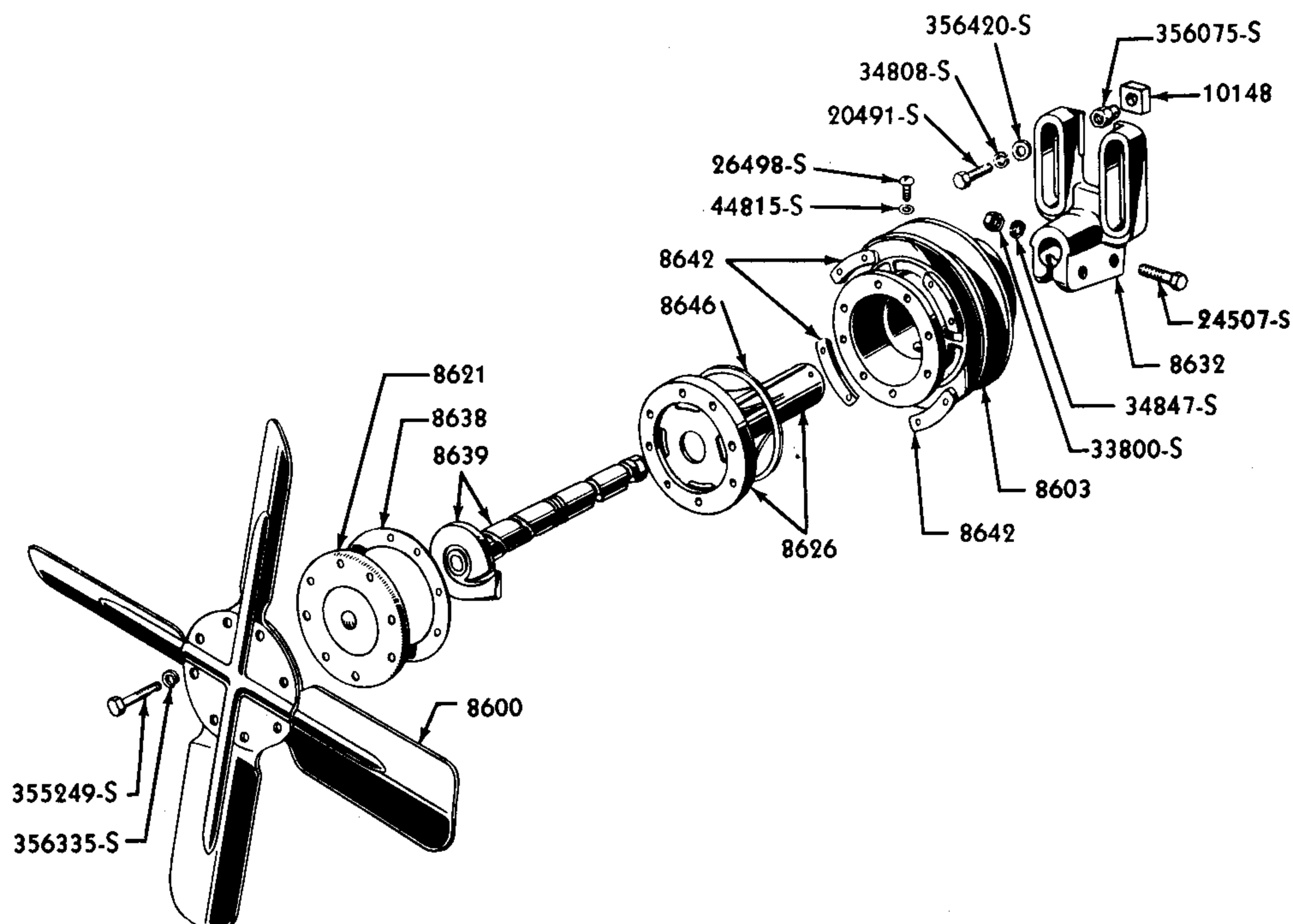




CHASSIS PARTS CATALOGUE

PART NUMBER	PART NAME	NO. REQ'D	MODEL	YEAR
				19__
BB 8600	Fan assy-6 blades-17" diameter	1	Trucks (8 cyl)	33-34
18 8600	Fan assy-4 blades-15 1/2" diameter-front of blade to rear of hub 4 1/2"	1	Pass, Comm (8 cyl)	32
40 8600-A	Fan assy-4 blades-15.68" diameter	1	(Pass 1933-36)(Comm 1933-34)(8 cyl)	33-36
	24309-S8 Bolt (fan to generator pulley)-1/4"-28 x 1/2"	4	Pass, Comm, Trucks	33-37
	34805-S8 Lockwasher (fan to generator pulley)-1/4"	4	Pass, Comm, Trucks	33-37
40 8600-B	Fan assy-6 blades-15 1/2" diameter	1	Pass, Comm, Trucks (8 cyl)	33-34
46 8600	Fan assy-4 blades-15 1/2" diameter-front of blade to rear of hub 3.06"	1	Pass, Comm, Trucks (4 cyl)	28-34
	74172-S Key (fan to hub)-1/2" x 1/8"	1	Pass, Comm, Trucks (4 cyl)	28-34
	34031-S7 Nut (fan to hub)-7/16"-20	1	Pass, Comm, Trucks (4 cyl)	28-34
	72016-S8 Cotter pin (fan to hub)-3/32" x 3/4"	1	Pass, Comm, Trucks (4 cyl)	28-34
	353047-AS7 Lubricator fitting (fan hub)-1/8"	1	Pass, Comm, Trucks (4 cyl)	28-34
50 8600	Fan assy-4 blades-15 11/16" diameter	1	Comm	35
51 8600-A	Fan assy-6 blades-15 1/2" diameter	1	Trucks	35
51 8600-A	Fan assy-6 blades-15 1/2" diameter	1	Trucks-60 HP	37-39
51 8600-B	Fan assy-6 blades-17" diameter-use with double sheave design pulley-300 watt generator	1	Trucks	35-36
51 8600-C	Fan assy-6 blade-17" diameter-use with double sheave pulley	1	Trucks	36
51 8600-D	Fan assy-4 blades-19" diameter	1	Trucks	36
67 8600	Fan assy-4 blades-17" diameter	1	Comm, 122" Truck-90 & 100 HP (8 cyl)	36-39
73 8600	Fan assy-4 blades-15 3/4" dia. with 4 1/8" long hub	1	Comm-60 HP	37-39
78 8600	Fan assy-4 blades-15 3/4" diameter-front of blade to rear of hub 3"	1	Pass(1939 Standard)	37-39
78 8600	Fan assy-4 blades-15 3/4" diameter-front of blade to rear of hub 3"	1	(4 cyl)	41-42
79 8600-A	Fan assy-4 blades-18" diameter-hub rear flange 3.9" diameter	1	Trucks except 122"-90 HP	37-39
79 8600-A	Fan assy-4 blades-18" diameter-hub rear flange 3.9" diameter	1	COE	40-41
91A 8600	Fan assy-16 3/4" diameter-6 blades-hub rear flange 3.82" diameter-overall length of hub 3.75"	1	(Pass 1939-41 except 1939 Std)(Comm 1940-41)	39-41
99B 8600-B	Fan assy-use with double sheave pulley-6 blades-18" diameter-double spider	1	Trucks except 122"-90 HP	37-39
99B 8600-B	Fan assy-use with double sheave pulley-6 blades-18" diameter-double spider	1	COE	40-41
	20319-S7 Bolt (fan to crankshaft pulley)-5/16"-24 x 9/16"	4	(Pass 1939-42 except 1939 Std)(Comm 1940-42)(Trucks except COE 1940-42)(8 cyl)	39-42
01AS 8600	Fan assy-used where high water condition is encountered		(Pass 1939-41 except 1939 Std)(Comm 1940-41)	39-41
01CS 8600	Fan assy-for extra cooling	1	Pass, Comm	41
01T 8600	Fan assy-4 blades-19" diameter	1	Trucks except COE-90 & 100 HP (8 cyl)	40-41
02Y 8600	Fan assy-6 blades-16 3/4" diameter	1	122" Trucks-60 HP	40
09B 8600-B	Fan assy-6 blades-19" diameter-for extra cooling	1	Trucks (8 cyl)	41
022A 8600-B	Fan assy-2 blades-14 3/4" diameter	1	Pass, Comm-60 HP	40
0NY 8600	Fan assy-4 blades-15 3/4" diameter-front of blade to rear of hub 4.25"	1	(4 cyl)	41-42
	24325-S8 Bolt (fan to water pump pulley)-1/2"-20 x 5/8"	4	(4 cyl)	41-42
	34805-S8 Lockwasher-1/4"			
1GA 8600-B	Fan assy-6 blades 15 3/4" dia.-hub rear flange 6.4" diameter	1	Pass, Comm (6 cyl)	41
1GT 8600	Fan assy-4 blades-18" dia.-hub rear flange 6.4" dia.	1	Trucks (6 cyl)	41
21A 8600-B	Fan blade assy-4 blades-16" dia.-repl. by 51A 8600	1	Pass (8 cyl)	42-48

CHASSIS PARTS CATALOGUE



P-163

1942-48 8 CYL. FAN & HUB

Basic numbers only shown on illustration. Order by Part Numbers shown in list of parts.

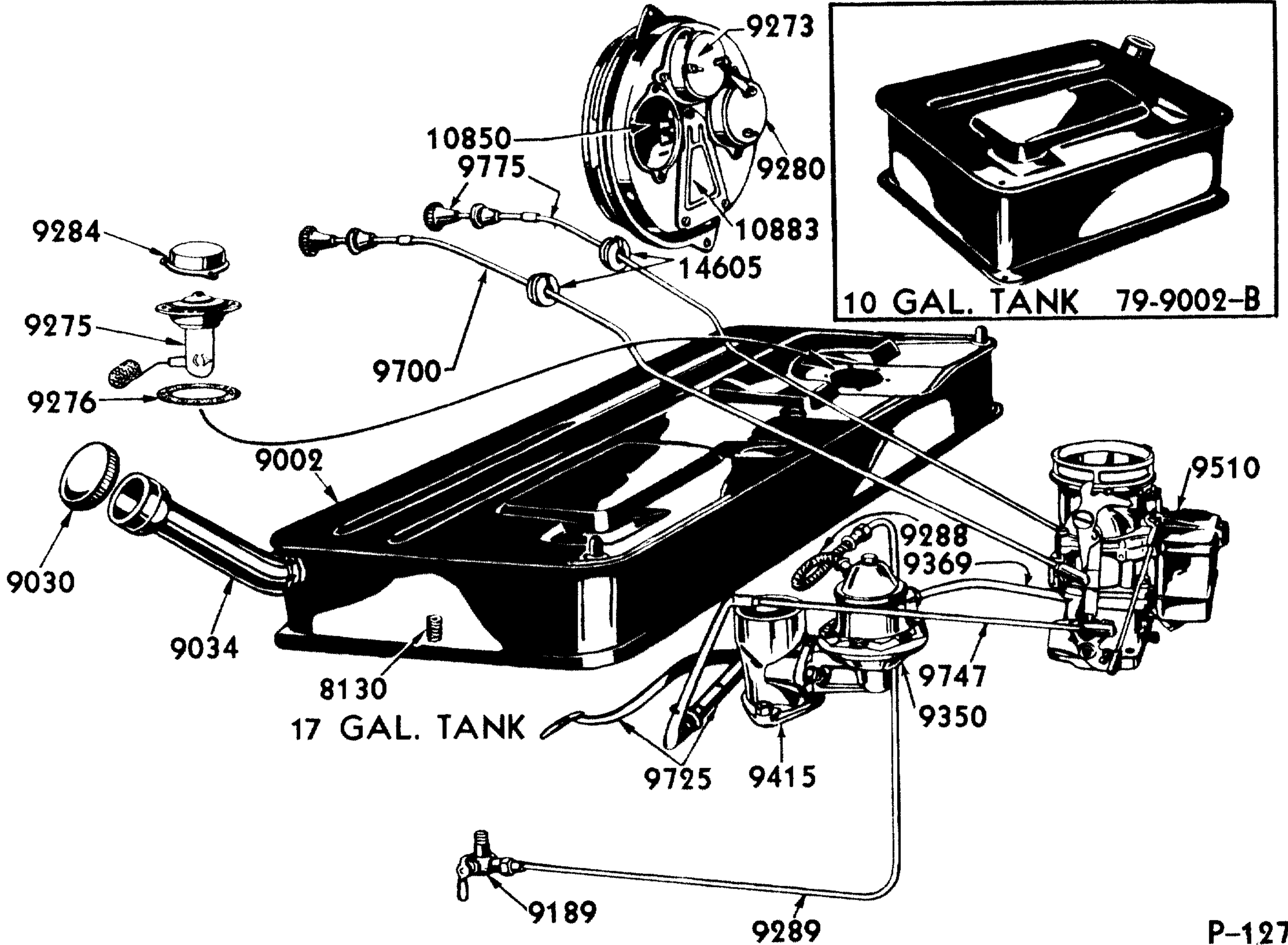
PART NUMBER	PART NAME	NO. REQ'D	MODEL	YEAR 19__
21T 8600-A	Fan blade assy-4 blades-18" dia.-8 holes for hub	1	Comm,Trucks except COE (8 cyl)	42-47
21T 8600-A	Fan blade assy-4 blades-18" dia.-extra cooling	1	Pass (8 cyl)	42-48
	24309-S8 Bolt (fan to generator pulley)-1/4"-28 x 1/2"	4	(Pass,Comm,Trucks 1938-39 except 1939 DeLuxe)(COE 1940-42)	38-42
	34805-S8 Lockwasher-1/4"			
2GA 8600	Fan blade assy-4 blades-15 3/4" dia.-4 holes for hub	1	Pass (6 cyl)	42-48
2GAS 8600	Fan blade assy-4 blades-16 1/4" dia.-extra cooling	1	Pass (6 cyl)	42-48
2GT 8600-C	Fan blade assy-4 blades-17" diameter	1	Comm,Trucks (6 cyl)	42-47
2GT 8600-D	Fan blade assy-4 blades-18" dia.-for extra cooling	1	Comm,Trucks (6 cyl "G" Series)	42-47
2GT 8600-D	Fan blade assy-4 blades-18" dia. for extra cooling	1	Trucks except 114" & 122" 3/4 Ton (6 cyl "H" Series)	47
	24327-S7 Bolt (fan to water pump)-5/16"-24 x 5/8" hex head	4	Pass (6 cyl)	42-48
	34806-S2 Lockwasher-5/16"	4	Comm,Truck (6 cyl)	42-47
	357647-S Key (fan hub)	1	(Pass 1941-48)(Comm,Trucks 1941-47)(6 cyl)	41-47
51A 8600	Fan blade assy-4 blades-17" diameter	1	Pass (8 cyl)	42-48
59T 8600-A	Fan blade assy-4 blades-18 1/2" diameter	1	Comm,Trucks except COE (8 cyl)	42-47
59T 8600-B	Fan blade assy-6 blade-18 1/2" diameter	1	COE	42-47
59T 8600-B	Fan blade assy-6 blade-18 1/2" dia.-extra cooling	1	Comm,Trucks except COE-90 & 100 HP(8 cyl)	42-47
	355249-S Bolt (fan blades to hub)-No.12-32 x 1 1/16"	8	Pass (8 cyl)	42-48
	356335-S Lockwasher-No. 12	8	Comm,Trucks (8 cyl)	42-47
21A 8603	Hub assy (fan)	1	Pass (8 cyl)	42-48
		1	Comm,Trucks (8 cyl)	42-47
	26498-S2 Screw (lubricating screw)-No.12-24 x 5/8"	1	Pass (8 cyl)	42-48
	44815-S Washer(lubricating screw)-No.12	1	Comm,Trucks (8 cyl)	42-47
51A 8604	Fan & hub assy-replaced by 51A-8600,21A-8625,355249-S & 356335-S	1	Pass (8 cyl)	46-48
59T 8604-A	Fan & hub assy-4 blades	1	Comm,Trucks except COE (8 cyl)	46-47
59T 8604-B	Fan & hub assy-6 blades-extra cooling	1	Comm,Trucks except COE (8 cyl)	46-47
9N 8606	Pulley (fan and water pump)	1	(4 cyl)	41-42
B 8620-A	Belt (fan)	1	Pass,Comm,Trucks (4 cyl)	28-34



CHASSIS PARTS CATALOGUE

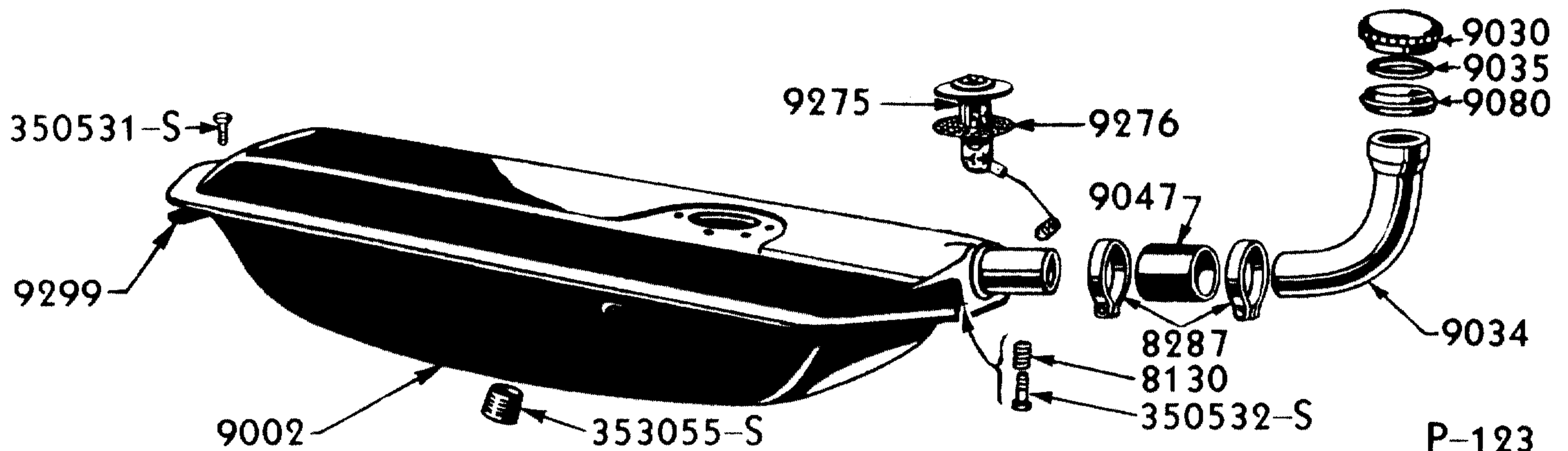
PART NUMBER	PART NAME	NO. REQ'D	MODEL	YEAR
				19__
BB 8620-A	Belt (fan)-use with 17" fan-replaced by 40-8620-A	1or2	Trucks (8 cyl)	33-36
40 8620-A	Belt (fan)	1	(Pass,Comm 1933-36)(Trucks 1933-37)-90 HP (8 cyl)	33-37
40 8620-A	Belt (fan)	1	Trucks except COE	40
51 8620-A	Belt (fan)	2	Pass,Trucks (8 cyl)	32
51 8620-A	Belt (fan)	2	(Comm 1937)(Trucks 1935-37)-90 HP	35-37
51 8620-A	Belt (fan)	1or2	(Comm,Trucks 1938-39)(COE 1940-41)-90 & 100 HP (8 cyl)	38-41
52 8620-C	Belt (fan)	1	(Pass,Comm,Trucks 1937-40-60 HP)(Pass, Comm,122" Trucks 1941-8 cyl-90 HP)	37-41
52 8620-D	Belt (fan)-use with 01A-10000-B	1	(4 cyl)	41-42
67 8620-A	Belt (fan)	1or2	Comm,Trucks	36
78 8620-A	Belt (fan)	1	(Pass 1937-38)(Comm 1939)(Trucks except COE 1939-41)-90 & 100 HP (8 cyl)	37-41
78 8620-A	Belt (fan)-used with engines having cast iron valve chamber cover	1	(Pass 1939-40)(Comm 1940)-90 & 100 HP	39-40
78 8620-A	Belt (fan)-used with engines having aluminum valve chamber cover & 3 brush generator	1	Pass,Std-90 HP	39-40
78 8620-B	Belt (fan)-used with engines having aluminum valve chamber cover-used with 3.46" diameter pulley & 2 brush generator	1	Pass DeLuxe-90 HP	39
78 8620-C	Belt (fan)-use with single sheave pulley	1	Pass,Comm,Trucks except COE-90 & 100 HP (8 cyl)	41
78 8620-C	Belt (generator)	1	Pass,Comm,Trucks-90 & 100 HP (8 cyl)	42-48
9N 8620-B	Belt (fan)	1	(4 cyl)	41-42
1GA 8620-B	Belt (generator)	1	Pass,Comm,Trucks (6 cyl)	41
2GA 8620-A	Belt (generator)	1	Pass (6 cyl "G" Series)	42-47
2GT 8620-A	Belt (generator)	1	Comm,Trucks (6 cyl "G" Series)	42-47
7HA 8620-A	Belt (fan)	1	Pass (6 cyl "H" Series)	47-48
		1	Comm,Trucks (6 cyl "H" Series)	47
21A 8621	Spacer (fan blade)	1	Pass (8 cyl)	42-48
		1	Comm,Trucks (8 cyl)	42-47
21A 8625	Hub assy (fan)	1	Pass (8 cyl)	42-48
			Comm,Trucks (8 cyl)	42-47
21A 8626	Bearing (fan spindle)	1	Pass (8 cyl)	42-48
			Comm,Trucks (8 cyl)	42-47
+21A 8628	Washer (fan blade spacing)-use with 21A-8600-B or 51A-8600	1	Pass (8 cyl)	42-48
21A 8632	Bracket (fan mounting)	1	Pass (8 cyl)	42-48
			Comm,Trucks (8 cyl)	42-47
	20491-S7 Bolt (fan supt. brkt. to gen. brkt.)-7/16"-20 x 1 5/8"	2	Pass (8 cyl)	42-48
		2	Comm,Trucks (8 cyl)	42-47
	34808-S8 Lockwasher-7/16"			
	356420-S Washer-flat-29/64"	2	Pass (8 cyl)	42-48
	20489-S2 Bolt (shaft to fan mtg. brkt. shaft clamp)-3/8"-24 x 1 5/8"	2	Pass (8 cyl)	42-48
		2	Comm,Trucks (8 cyl)	42-47
	33800-S8 Nut-3/8"-24			
	34847-S8 Lockwasher-3/8"			
	356075-S7 Nut (fan bracket to intake manifold)-9/16"-18	1	Pass (8 cyl)	42-48
		1	Comm,Trucks (8 cyl)	42-47
21A 8638	Gasket (fan)-front	1	Pass (8 cyl)	42-48
			Comm,Trucks (8 cyl)	42-47
21A 8639	Spindle & impeller assy (fan hub)	1	Pass,(8 cyl)	42-48
			Comm,Trucks (8 cyl)	42-47
21A 8642	Nut-double (hub fan and spindle)	4	Pass (8 cyl)	42-48
			Comm,Trucks (8 cyl)	42-47
21A 8646	Gasket (fan)-rear	1	Pass (8 cyl)	42-48
			Comm,Trucks (8 cyl)	42-47
59A 8654	Thermostat assy (fan)	1	Pass (8 cyl) (Refer to Thermostatic Fan)	42-48
59A 8664	Wire assy (thermostat to fan)	1	Pass (8 cyl) (Refer to Thermostatic Fan)	42-48
59A 8665	Kit (thermostatic control fan)	1	Pass (8 cyl) (Refer to Thermostatic Fan)	42-48

+ No Longer Supplied



1937 TRUCK FUEL SYSTEM

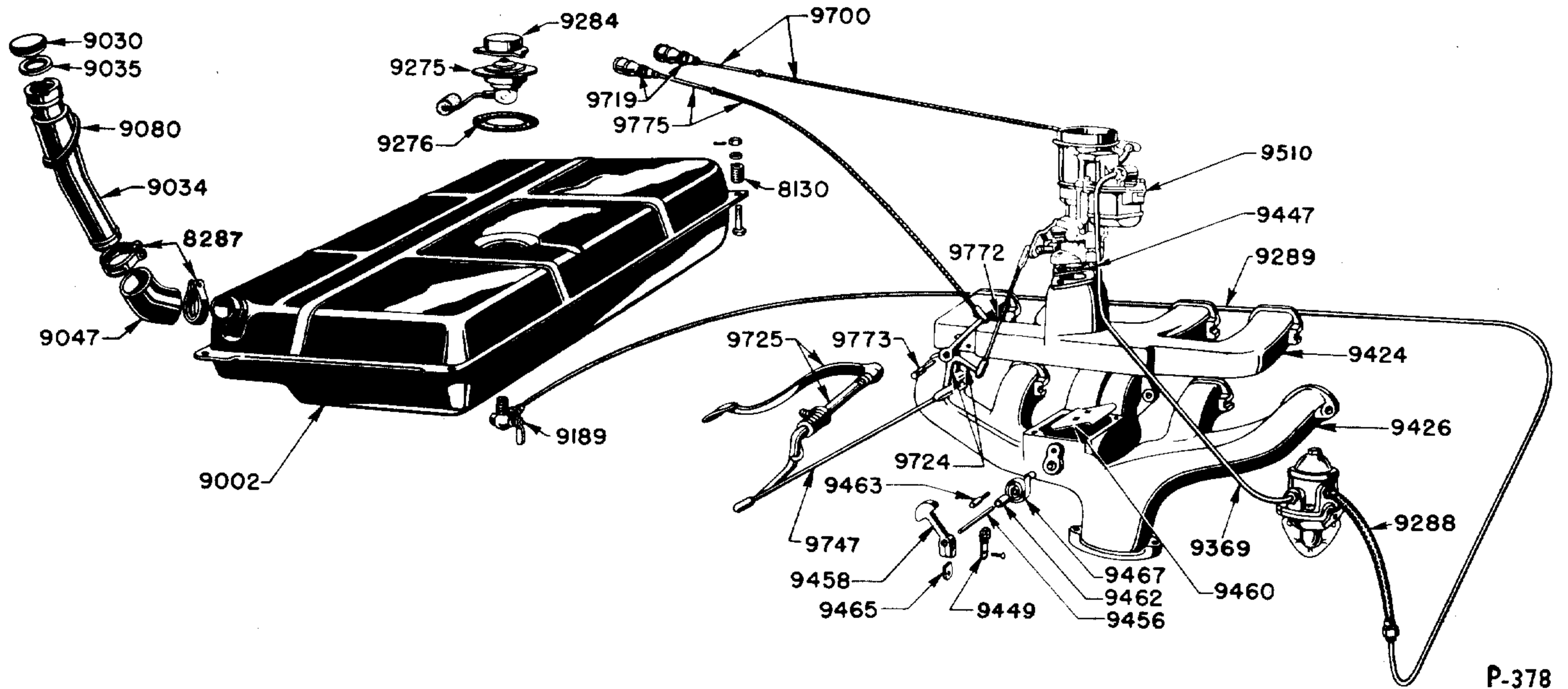
P-127



1937 8 CYL. PASSENGER FUEL TANK

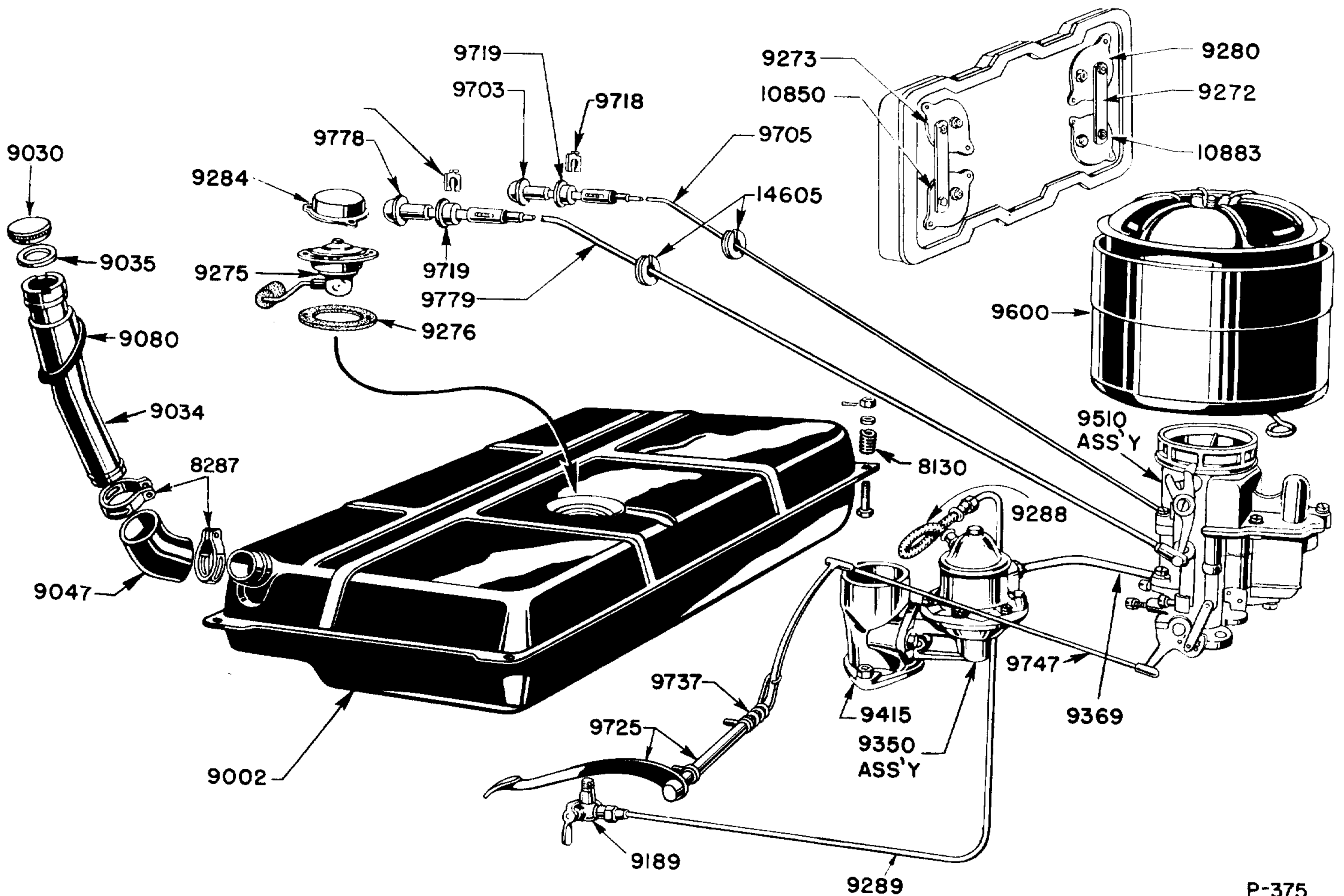
P-123

Basic numbers only shown on illustration. Order by Part Numbers shown in list of parts.



P-378

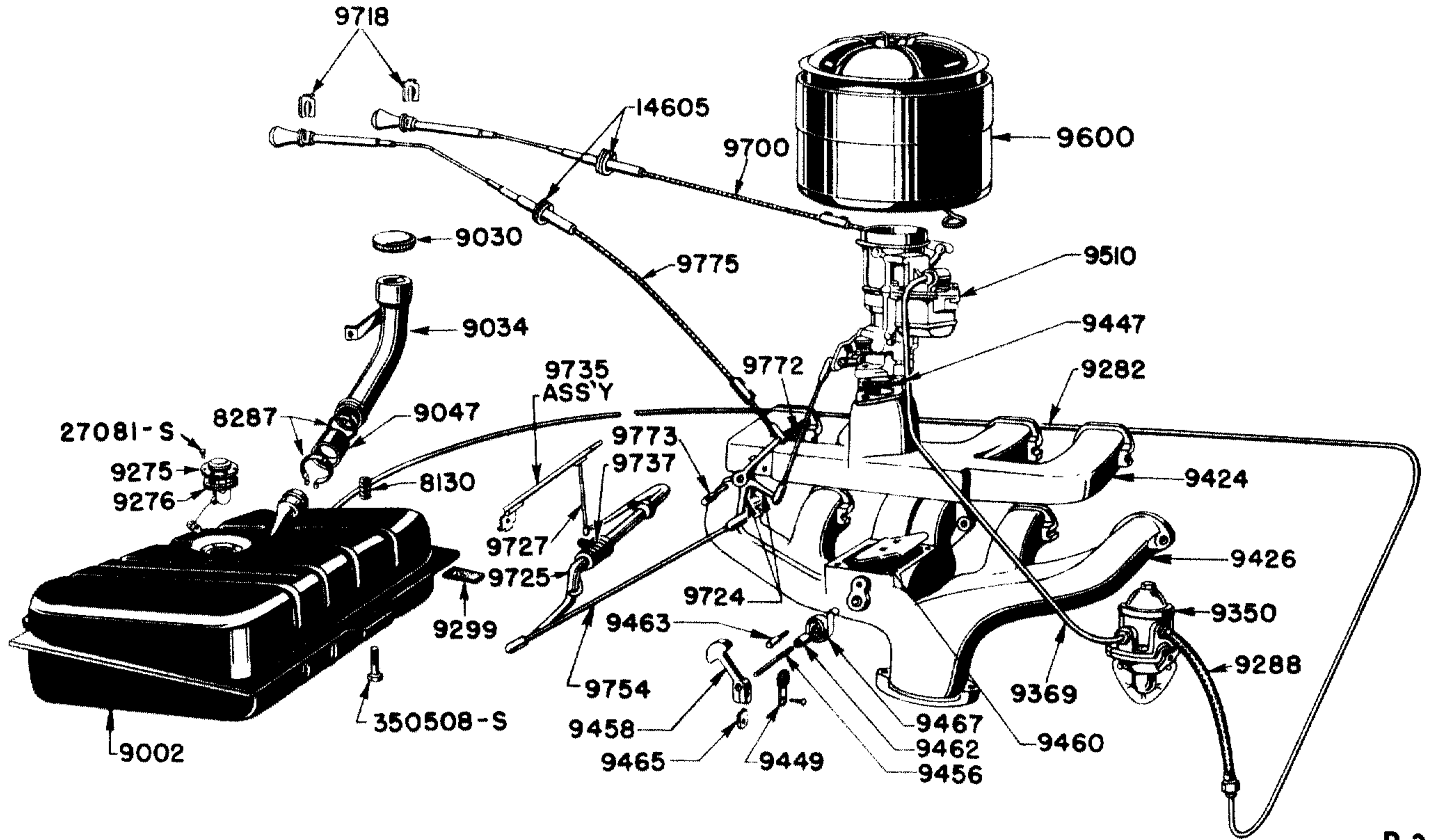
1942-47 6 CYL. "G" SERIES TRUCK FUEL SYSTEM



P-375

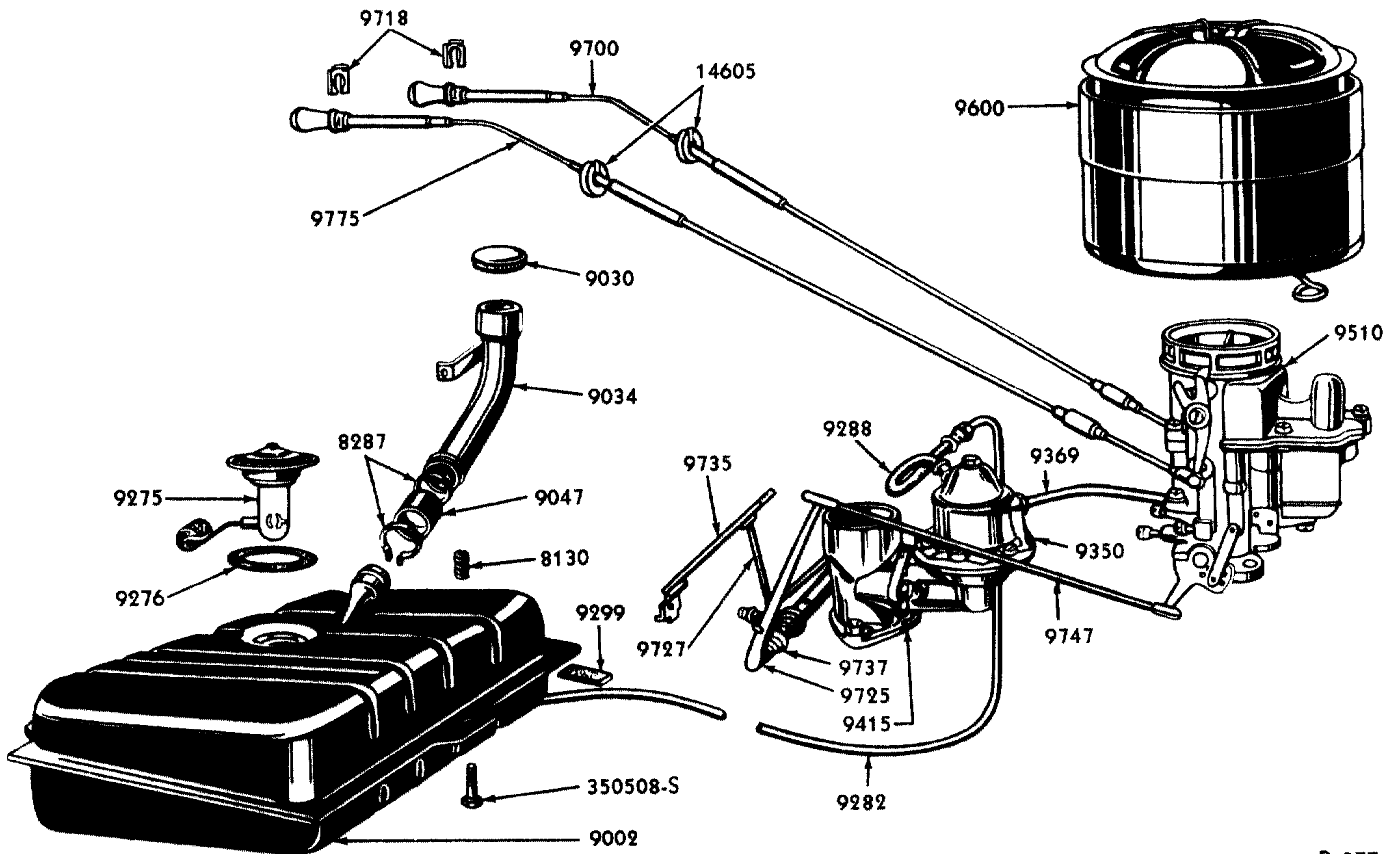
1942-46 8 CYL. COMMERCIAL & TRUCK FUEL SYSTEM

Basic numbers only shown on illustration. Order by Part Numbers shown in list of parts.



P-376

1942-47 6 CYL. "G" SERIES PASSENGER FUEL SYSTEM



P-377

1942-46 8 CYL. PASSENGER FUEL SYSTEM

Basic numbers only shown on illustration. Order by Part Numbers shown in list of parts.



CHASSIS PARTS CATALOGUE

FUEL TANK CHART

PART NUMBER	REPLACED BY	MODEL	CAPACITY IN GALLONS	NO. REQ'D.	PASS.	COMM.	122" W.B. ¾ TON	122" W.B. 1 TON	TRUCK
					YEAR 19__	YEAR 19__	YEAR 19__	YEAR 19__	YEAR 19__
+A 9002-A		All	10	1	28-29	28-29			28-29
+A 9002-B		All	10	1	30	30			30
+A 9002-C		All	10	1	30-31	30-31			30-31
+A 9002-E		All	10	1	31	31			31
		A-35266-A Clamp (fuel tank)		10	28-29	28-29			28-29
		20384-S2 Bolt (fuel tank mounting)		10	28-31	28-31			28-31
		33795-S2 Nut (fuel tank mounting)		10	28-31	28-31			28-31
		34805-S2 Lockwasher (fuel tank mounting bolt)		10	28-31	28-31			28-31
+B 9002		All	10	1	32	32			
+BB 9002-A		Open & Closed Cabs	17	1					32-34
+BB 9002-B		Panel Delivery	10						32-34
+40 9002		All (except Victoria)	11	1	33-34	33-34			
+48 9002		All	14	1	35				
+50 9002		All	14	1		35			
51 9002-A		All (except 131 1/2" Panel Delivery)	17	1					35-36
+51 9002-D		Panel Delivery	10	1					35-36
+51 9002-E		Panel Delivery-131 1/2"-less Pass Seat Bracket	17	1					36
+51 9002-F		Panel Delivery-131 1/2"-with Pass Seat Bracket	17	1					36
+51 9002-G		Panel Delivery	10	1					36
+67 9002		All	14	1		36-37			
+67 9002		Victoria	14	1	33-34				
+68 9002		All	14	1	36				
+68 9002		Sedan Delivery & Station Wagon	14	1	37				
78 9002-B	81A 9002	All (except Sedan Delivery & Station Wagon)	14	1	37				
79 9002-A	01T 9002-A	All (except 131 1/2" Panel Delivery)	17	1					37
+79 9002-B		131 1/2" Panel Delivery	17	1					37
+79 9002-D		131 1/2" Panel Delivery	10	1					37
81A 9002		All (except Sedan Delivery-1940)	14	1	38-40	38-39			
81T 9002-A	01T 9002-A	Closed Cabs	17	1					38-39
81T 9002-B	01T 9002-A	Panel Delivery	17	1					38-39
81T 9002-C	01T 9002-A	Panel Delivery	17	1					38-39
+81Y 9002-A		122" Panel Delivery-used with drivers seat	17	1			39	38-39	
+81Y 9002-B		122" Panel Delivery-used with drivers & passenger seats	17	1			39	38-39	
81W 9002		COE	22	1					38-47

+ Use 68-9003 and 68-9276 when replacing earlier types.

+ No Longer Supplied



CHASSIS PARTS CATALOGUE

FUEL TANK CHART

PART NUMBER	REPLACED BY	MODEL	CAPACITY IN GALLONS	NO. REQ'D.	PASS.	COMM.	122" W.B. 1/2 TON	122" W.B. 1 TON	TRUCK
					YEAR 19---	YEAR 19---	YEAR 19---	YEAR 19---	YEAR 19---
91C 9002	81A 9002	Platform	14	1		39			
91C 9002	81A 9002	All	14	1		40-41			
01A 9002		Sedan Delivery	17	1	40-41				
01T 9002-A		Closed Cab	17	1			40-41	40-41	40-41
01T 9002-B	21C 9002-B	Panel Delivery	17	1			40-41	40-41	40-41
11A 9002	21A 9002-A	All	17	1	41				
21A 9002-A		Pass (except Sedan Delivery)	17	1	42-48				
21A 9002-B		Sedan Delivery-fuel outlet on L.H. side	17	1	42-48				
21A 9002-C		Sedan Delivery-fuel outlet in center	17	1	47-48				
21C 9002-A		Closed cab (except 194"-1945-47)	17	1		42-47	42-47	42-47	42-47
21C 9002-B		Panel Delivery	17	1		42-47	42-47	42-47	42-47
594T 9002		194" Trucks, 158" School Bus-8.8" high	25	1					45-47
†BB 9003		School & Passenger Bus	17	1					32-34
		B-8130 Spring (tank to frame)		1	32-48	32-47	39-47	38-47	32-47
		51-926722 Bracket (drivers seat cushion to fuel tank)-Panel Delivery		1			39	38-39	35-39
		51 926723 Bracket (drivers seat cushion to fuel tank)-Panel Delivery		1			39	38-39	35-39
		51-926873 Bracket (drivers seat cushion to fuel tank)-Panel Delivery		1			39	38-39	35-39
		†60356-S7 Rivet (drivers seat cushion to fuel tank bracket)-3/16" x 1/2"		8			39	38-39	35-39
		353055-S7 Plug (drain)-1/4"-18		1	32-48	32-47	39-47	38-47	32-47
		†350531-S2 Bolt (fuel tank to frame)-3/8"-24 x 1 1/16"		2	35-41	35-41	40-41	40-41	35-41
		†350532-S2 Bolt (fuel tank to frame)-3/8"-24 x 1 7/8"		1	35-41	35-41	40-41	40-41	35-41

PART NUMBER	PART NAME	NO. REQ'D	MODEL	YEAR 19---
†68 9003	Plate (fuel tank gauge to fuel tank adapter)	1	Pass,Comm	33-35
	25231-S7 Screw (fuel tank gauge to fuel tank adapter plate)-#10-32 x 1/2"	6	Pass,Comm	33-35
A 9020-B	Screen (fuel tank filler)	1	Pass,Comm,Trucks	30-31
BB 9020	Screen (fuel tank filler)	1	Pass,Comm,Trucks	28-29
BB 9020	Screen (fuel tank filler)	1	Trucks	32-36
01T 9023	Tube (fuel tank breather)	1	Panels (except 114" 1942-46)	40-47
21C 9023	Pipe (fuel tank air relief)-21.1" long	1	114" Panels	42-47
†A 9030-A	Cap (fuel tank filler)	1	Pass,Comm,Trucks	28-29
A 9030-C	Cap (fuel tank filler)	1	Pass,Comm,Trucks	30-31
51 9030-B	Cap (fuel tank filler)	1	131-1/2" Panel Delivery	37
9N 9030	Cap (fuel tank filler)	1	Comm,Trucks (4 cyl)	42
9N 9030	Cap (radiator)		Refer to 8005 Radiator Group	
11A 9030	Cap (fuel tank filler)	1	Pass (except Sedan Delivery 1942-48)	41-48
11C 9030-A	Cap (fuel tank filler)-ventilated type	1	Pass	32-40
11C 9030-A	Cap (fuel tank filler)-ventilated type	1	Comm,Trucks	32-47
11C 9030-A	Cap (radiator)		Refer to 8005 Radiator Group	
21A 9030	Cap (fuel tank filler)	1	Sedan Delivery	42-47

† No Longer Supplied



CHASSIS PARTS CATALOGUE

FUEL TANK FILLER PIPE CHART

PART NUMBER	REPLACED BY	MODEL	ENGINE			PASS. YEAR 19__	COMM. YEAR 19__	122" W.B. ¾ TON YEAR 19__	122" W.B. 1 TON YEAR 19__	TRUCK YEAR 19__
			CYL.	H.P.	NO. REQD.					
51A 9032		Sportsman Coupe	All	All	1	46-48				
46 9034-A	67-9034-A	All (except Pickup)	4		1		33-34			
		Sedan Delivery & Station Wagon	8	90	1	33-34				
46 9034-B	67-9034-B	Victoria	4		1	33-34				
		Pickup	4		1		33-34			
48 9034-A		All (except Sedan Delivery & Station Wagon)	8	90	1	35				
48 9034-B	68-9034-B	Sedan Delivery & Station Wagon	8	90	1	35				
50 9034	67 9034-B	All (except Pickup)	8	90	1		35			
67 9034-A		Pickup	8	90	1		35-36			
67 9034-B		All (except Pickup)	8	90	1	36				
68 9034-A	78-9034-B	All (except Sedan Delivery & Station Wagon)	8	90	1	36				
68 9034-B		Sedan Delivery & Station Wagon	8	All	1	36-37				
77 9034-A		Pickup, Platform, Stake Body	8	All	1		37			
77 9034-B		All (except Pickup, Platform, Stake Body)	8	All	1		37			
78 9034-A	78 9034-B	All (except Sedan Delivery & Station Wagon)	8	All	1	37				
78 9034-B		All (except Sedan Delivery & Station Wagon)- use with flexible connection	8	All	1	37				
78 9034-C		All	8	All	1	37				
79 9034-A		All (except 131 1/2" Panel Delivery)-use with 17 gal. tank	8	All	1				37	
79 9034-B		131 1/2" Panel Delivery	8	All	1				37	
81A 9034-A	91A 9034-A	All (except Sedan Delivery, DeLuxe Tudor & Fordor)	8	All	1	38				
81A 9034-B	91A 9034-B	DeLuxe Tudor & Fordor	8	All	1	38				
81A 9034-C	91A 9034-C	Sedan Delivery	8	All	1	38				
+81C 9034-A		Platform	8 6	All 90	1 1		38-41 41			
81C 9034-B		All (except Platform & Sedan Delivery)	8 6	All 90	1 1		38-41 41			
81T 9034-A	81T 9034-B	All	All	All	1			39	38-39	
81T 9034-B		All (except COE)	All	All	1			39-41	38-41	
+81T 9034-C		Panel Delivery	8	60	1				39	
91A 9034-A		Station Wagon	All	All	1	39-40				
91A 9034-B		All (except Sedan Delivery & Station Wagon)	All	All	1	39-40				
91A 9034-C		Sedan Delivery	All	All	1	39				
91W 9034		COE	All	All	1				39-47	
01A 9034		Sedan Delivery	All	All	1	40-41				
01T 9034		Panel Delivery (122" & 134")	All	All	1			40-47	40-47	
11A 9034-A		All (except Sedan Delivery)	All	All	1	41				
+11C 9034		Sedan Delivery	All	All	1	41				
21A 9034-A		All (except Sedan Delivery & Sportsman Coupe)	All	All	1	42-48				
21C 9034-A		All (except COE & Panels-1942-47 & 194" Trucks- 1945-47)	All	All			42-47	42-47	42-47	
21C 9034-B		Panel Delivery	All	All	1		42-47			
594T 9034		194" School Bus	All	All	1				45-47	
		158" School Bus	All	All	1				45-47	
		350111-S7 Screw (filler neck flange to fuel tank)	8	90	1				35-36	

† No Longer Supplied



CHASSIS PARTS CATALOGUE

PART NUMBER	PART NAME	NO. REQ'D	MODEL	YEAR
				19__
+A 9035-A	Gasket (fuel tank filler cap)	1	Pass, Comm, Trucks	28-29
B 9035-A	Gasket (fuel tank filler cap)	1	Pass	32-48
		1	Comm, Trucks	32-47
11A 9046	Bracket assy (fuel tank to cross member support)-rear-replaced by 51A 9046-B	2	Pass (except Sedan Delivery 1942)	39-48
	350508-S7 Bolt (fuel tank bracket to frame)-3/8"-24 x 3/4"	4	Pass (except Sedan Delivery 1942)	39-48
+51A 9046-A	Bracket (fuel tank to crossmember support)-rear	2	Pass (except Sedan Delivery 1942-48)	39-48
51A 9046-B	Bracket (fuel tank to crossmember support)-rear	2	Pass except Sedan Delivery	47-48
594T 9046	Bracket assy (fuel tank)-use with 594T-9002	2	School Bus	45-47
	24387-S7 Bolt (bracket to frame)-5/16"-24 x 1"	12	School Bus	45-47
	33798-S8 Nut (bracket to frame bolt)-5/16"-24	12	School Bus	45-47
	34846-S2 Lockwasher (bracket to frame bolt)-5/16"	12	School Bus	45-47
	33797-S7 Nut (bracket to strap "T" bolt)-5/16"-18	2	194" School Bus	45-47
	34846-S2 Lockwasher-5/16"	2	194" School Bus	45-47
78 9047	Hose (fuel tank filler connecting)-1.8" I.D.-2.75" long	1	Pass, Comm (except Sedan Delivery and Station Wagon)	37-41
78 9047	Hose (fuel tank filler connecting)-1.8" I.D.-2.75" long	1	122"-134"-157" Trucks (except COE)	38-41
81A 9047	Hose (fuel tank filler connecting)-1.8" I.D.-4.2" long	1	Station Wagon	38-40
81T 9047	Hose (fuel tank filler connecting)-1.8" I.D.-curved	1	Closed Cabs	38-41
		1	Panel Delivery	38-39
81W 9047-A	Hose (fuel tank filler connecting)-1.8" I.D.-3.5" long	1	COE	38-47
01A 9047	Hose (fuel tank filler connecting)-1.8" I.D.-curved	1	Sedan Delivery	40-41
01T 9047	Hose (fuel tank filler connecting)-1.8" I.D.-2.63" long	1	Panel Delivery	40-47
11A 9047-A	Hose (fuel tank filler connecting)-2.18" I.D.-2.18" long	1	Pass (except Station Wagon)	41-48
11A 9047-A	Hose (fuel tank filler connecting)-2.18" I.D.-2.18" long	1	Comm, Trucks (except Panels)	42-47
11A 9047-B	Hose (fuel tank filler connecting)-2.18" I.D.-4.56" long	1	Station Wagon	41-48
11C 9047	Hose (fuel tank filler connecting)-1.8" I.D.-curved	1	Sedan Delivery	41
21AF 9047-A	Hose (fuel tank filler connecting)-use with 21A-9034-A-2.18" I.D.-3.3" long	1	Pass	41
	91A-8287 Clamp (fuel tank filler pipe connecting hose)-2.28" diameter	2	Pass, Comm	37-41
	91A-8287 Clamp (fuel tank filler pipe connecting hose)-2.28" diameter	2	Trucks	38-42
	11A-8287 Clamp (fuel tank filler pipe connecting hose)-2.6" diameter	2	Pass	41-48
		2	Comm, Trucks	41-47
46 9051	Washer (fuel tank filler pipe nut)-lead	1	Pass	35-37
		1	Comm	33-37
		1	Trucks	37
01T 9053	Support (fuel tank)	2	Panels	40-41
21C 9053	Support (fuel tank)	2	Panels	42-47
81W 9057	Strap (hold down)	2	COE	38-47
594T 9057	Strap and "T" bolt assy (fuel tank)	2	School Bus	46-47
	34846-S2 Lockwasher (fuel tank strap and "T" bolt)-5/16"	2	School Bus	46-47
+A 9066	Grommet (fuel tank to speedometer cable)	1	Pass, Comm, Trucks	28-29
81W 9067	Anti-squeak (fuel tank hanger)-side	2	COE	38-47
21C 9067	Anti-squeak (fuel tank support strap)	2	Panels & 114" Closed Cab	42-47

† No Longer Supplied



CHASSIS PARTS CATALOGUE

PART NUMBER	PART NAME	NO. REQ'D	MODEL	YEAR
				19____
01T 9058	Strap (fuel tank support)	2	Panels	40-41
21C 9068	Strap (fuel tank hanger)	2	Panels	42-47
11A 9075-B	Anti-squeak (fuel tank top to floor pan)-12" long	4	Pass (except Sedan Delivery)	41-48
+40 9080	Grommet (fuel tank filler pipe)	1	Victoria Coupe	33-34
+46 9080	Grommet (fuel tank filler pipe)	1	Sedan Delivery	33-34
+48 9080-A	Grommet (fuel tank filler pipe)	1	Pass	35-36
	32996-S13 Screw (fuel tank filler pipe grommet to side panel)- No.10-5/8"	1	Comm	35-36
78 9080-A	Grommet (fuel tank filler pipe)-rubber	1	Pass,Comm (except Sedan Delivery and Station Wagon 1937 or Sedan Delivery & 112" Platform 1940)	37-40
91A 9080-B	Grommet (fuel tank filler pipe)-rubber	1	Pass,Comm (except 112" Platform & Sedan Delivery)	39-41
01A 9080-A	Grommet (fuel tank filler)	1	Sedan Delivery	40
01A 9080-B	Grommet (fuel tank filler)	1	Sedan Delivery	40
11C 9080	Grommet (fuel tank filler pipe)	1	Sedan Delivery	41-47
21C 9080-A	Grommet (fuel tank filler pipe)	1	Closed Cabs	42-47
48 9081	Grommet (fuel tank filler pipe)	1	Sedan Delivery,Station Wagon	35-37
77 9084-A	Grommet (fuel tank filler pipe)	1	122" & 134" Panel Delivery	38
77 9084-B	Grommet (fuel tank filler pipe)	1	Panel Deliveries	37-39
		1	Closed Cabs	37-47
	+40-16388 Grommet (fuel tank filler neck)	1	Pass,Comm (except Victoria,Sedan Delivery & Station Wagon)	33-34
	+353062-S Plug (for sealing fuel outlet pipe)-1/2"-20 x 13/16"	1	Comm	33-37
		1	Pass	35-36
		1	Victoria	33
		1	Sedan Delivery & Station Wagon	37
01T 9084	Grommet (fuel tank filler pipe)	1	114" Panels	42-47
		1	122" & 134" Panels	40-47
79 9085	Grommet (fuel tank)-inside	1	Panel Deliveries	38-39
81T 9088	Support (fuel tank filler pipe)	1	122" & 134" Panel Delivery	38-39
		1	Closed Cab	38-47
	24429-S7 Bolt (support to frame)- 3/8"-24 x 1 1/4"	4	122" Truck	38
	33800-S8 Nut (support to frame)-3/8"-24	4	122" Truck	38
	34847-S8 Lockwasher (support to frame)- 3/8"	4	122" Truck	38
	32924-S7 Screw (filler neck support to body)-No.10 x 1/2"	2	Closed Cab, Panel Delivery	38-42
81W 9094	Spring (fuel tank hold down)	2	COE	38-47
81W 9097	Support (fuel tank rear)	1or2	COE	38-47
51A 9134	Spacer (fuel tank filler pipe brace to body)	1	Pass (except Sportsman Coupe,Sedan Delivery and Station Wagon)	46-48
	34393-S7 Locknut (filler to luggage compartment)-5/16"-24	1	Pass (except Sportsman Coupe,Sedan Delivery and Station Wagon)	46-48
A 9155-A	Bulb assy (fuel tank sediment)-replaced by A-9155-C	1	Pass,Comm,Trucks	28-31
A 9155-C	Kit (fuel tank sediment bulb replacement)	1	Pass,Comm,Trucks	28-31
	351152-S Nut (sediment bulb to dash)- 7/8"-14	1	Pass,Comm,Trucks	28-31
	34813-S2 Lockwasher (sediment bulb to dash nut)-3/4"	1	Pass,Comm,Trucks	28-31
+A 9160-E	Gasket (sediment bulb bowl)-use with A-9162-C	1	Pass,Comm,Trucks	28-31
+A 9161-A	Bowl (sediment bulb)-cast iron	1	Pass,Comm,Trucks	28-31
+A 9162-C	Bowl (sediment bulb)-brass-use with A-9155-C	1	Pass,Comm,Trucks	28-31
	+351524-S Washer (sediment bulb bowl)	1	Pass,Comm,Trucks	31
	351456-S Washer (sediment bulb bowl)	1	Pass,Comm,Trucks	31
+A 9165-D	Cover (sediment bulb)-use with A-9155-C	1	Pass,Comm,Trucks	28-31
+A 9166	Bail,seat & nut assy (sediment bulb)-use with A-9155-C	1	Pass,Comm,Trucks	28-31

+ No Longer Supplied



CHASSIS PARTS CATALOGUE

PART NUMBER	PART NAME	NO. REQ'D	MODEL	YEAR 19__
59A 9167	Thumb nut (fuel pump gas strainer)		Refer to 9350 Chart	
†A 9170-A	Screen assy (sediment bulb)-use with A-9155-A	1	Pass,Comm,Trucks	28-31
†A 9174	Gasket (sediment bulb screen retainer)-use with A-9155-A	1	Pass,Comm,Trucks	28-31
A 9175	Retainer (sediment bulb screen)-use with A-9155-A	1	Pass,Comm,Trucks	28-31
A 9176	Screen (sediment bulb)-use with glass type bowl	1	Pass,Comm,Trucks	31
†A 9177	Plug & handle assy (sediment bulb drain)	1	Pass,Comm,Trucks	28-31
†A 9181-A	Plug (sediment bulb)-use with glass bowl type	1	Pass,Comm,Trucks	31
B 9182	Spring (sediment bulb drain screw)-use with A-9155-A	1	Pass,Comm,Trucks	28-31
B 9182	Spring (fuel pump drain screw)		Refer to 9350 Fuel Pump Chart	
B 9185-B	Plug (fuel tank sediment bulb)-use with A-9155-A	1	Pass,Comm,Trucks	28-31
B 9185-B	Plug (fuel pump drain)		Refer to 9350 Fuel Pump Chart	
A 9187	Screen assy (sediment bulb)-use with A-9155-C	1	Pass,Comm,Trucks	28-31
	+353005-S Connector (sediment bulb)-use with A-9155-C	1	Pass,Comm,Trucks	28-31
	+353006-S Adapter (sediment bulb)-use with A-9155-C	1	Pass,Comm,Trucks	28-31
BB 9189	Valve assy (fuel)	1	Pass,Comm,Trucks	28-31
BB 9189	Valve assy (fuel)	1	(Comm 1941-47)(Trucks 1932-47 except Panels 1940-47 and 194" School Bus 1940-44)	32-47
†BB 9191	Handle (fuel valve)	1	Pass,Comm,Trucks	28-31
†BB 9191	Handle (fuel valve)	1	(Comm 1941-47)(Trucks 1932-47 except Panels 1940-47 and 194" School Bus 1940-44)	32-47
BB 9193	Packing (fuel valve)	1	Pass,Comm,Trucks	30-31
BB 9193	Packing (fuel valve)	1	(Comm 1941-47)(Trucks 1932-47 except Panels 1940-47 and 194" School Bus 1940-44)	32-47
A 9194	Spring (fuel valve)	1	Pass,Comm,Trucks	28-31
A 9195-A	Nut (fuel valve pack)	1	Pass,Comm,Trucks	28-29
BB 9195	Nut (fuel valve pack)	1	Pass,Comm,Trucks	30-31
BB 9195	Nut (fuel valve pack)	1	(Comm 1941-47)(Trucks 1932-47 except Panels 1940-47 and 194" School Bus 1940-44)	32-47
	34081-S7 Nut (fuel valve check)-1/4"-28	1	(Pass,Comm,Trucks 1928-31)(Comm 1941-47)(Trucks 1932-47 except Panels 1940-47 and 194" School Bus 1940-44)	28-47
	34805-S8 Lockwasher (fuel valve check nut)-1/4"	1	(Pass,Comm,Trucks 1928-31)(Comm 1941-47)(Trucks 1932-47 except Panels 1940-47 and 194" School Bus 1940-44)	28-47
A 9230-A	Pipe assy (fuel tank to sediment bulb)	1	Pass,Comm,Trucks	28-29
A 9230-B	Pipe assy (fuel tank to sediment bulb)	1	Pass,Comm,Trucks	30-31
81W 9230-A	Seal (fuel tank drain valve dust)	1	Closed Cabs,COE (except 194" School Bus)	38-47
81W 9231	Retainer (fuel tank valve dust sealer)	1	COE	38-47
BB 9232-A	Nut (fuel line to fuel valve)-5/8"-18	1	Trucks	32-37
BB 9232-A	Nut (fuel line to tank valve)-5/8"-18	1	Closed Cabs	44-47
BB 9233-A	Ferrule (fuel line to tank valve)-for 1/4" tubing	1	(Closed Cabs 1944-47)(Trucks 1932-37)	32-47
†A 9240-B	Pipe assy (fuel tank sediment bulb to carburetor)-23-13/16" developed length	1	Pass,Comm,Trucks	28-31
A 9240-C	Pipe assy (fuel tank sediment bulb to carburetor)-21" developed length	1	Pass,Comm,Trucks	31
A 9240-D	Pipe assy (fuel tank sediment bulb to carburetor)-24-3/4" developed length	1	Pass,Comm,Trucks	31
B 9242-A	Ferrule (fuel lines)-1/4"-use with 91A-2269 tubing	1to4	Pass,Comm,Trucks	32-48
B 9243-A	Nut (fuel lines)-1/4" tubing-use with 91A-2269 tubing	1to4	Pass,Comm,Trucks	32-47
†594T 9249	Elbow (fuel line)-1/8" x 45°	1	School Bus	46-47
594T 9262-A	Line assy (fuel tank to fuel line)-flexible-formerly was 594T-9288-A	1	School Bus	45-47

† No Longer Supplied



CHASSIS PARTS CATALOGUE

PART NUMBER	PART NAME	NO. REQ'D	MODEL	YEAR
				19__
48 9271	Case assy (fuel & oil pressure gauge)	1	Pass,Comm	35
		1	Trucks	35-36
+68 9271	Case assy (fuel & oil pressure gauge)	1	Pass,Comm	36
78 9271	Case assy (instrument cluster)-includes lens - replaced by 91A-9271-B	1	Pass,Comm	37
81A 9271-A	Case assy (instrument cluster)	1	Std Pass,Comm,Trucks	38
81A 9271-B	Case assy (instrument cluster)	1	DeLuxe Pass	38
91A 9271-B	Case assy (instrument cluster)	1	Pass (except Convertibles & Station Wagon	39
		1	Comm,Trucks	39
		1	COE	39-40
91A 9271-C	Case assy (instrument cluster)-replaced by 91A-9271-B	1	Convertible Fordor,Convertible Coupe and Station Wagon	39
01A 9271-A	Case assy (instrument cluster)	1	Std Pass	40
		1	Comm,Trucks	40-42
+01A 9271-B	Case assy (instrument cluster)	1	DeLuxe Pass	40
11A 9271	Case assy (instrument cluster)	1	Pass	41
21A 9271	Case assy (instrument cluster)	1	Pass	42
21C 9271	Case assy (instrument cluster)-replaced by 01A-9271-A	1	Comm,Trucks	42-47
51A 9271-A	Case assy (instrument cluster)-LHD	1	DeLuxe Pass,Sportsman Coupe,Convertible Club Coupe,Station Wagon and all leather trimmed closed units	46-48
51A 9271-B	Case assy (instrument cluster)-LHD	1	Super DeLuxe Pass (except Convertible Club Coupe,Station Wagon,Sportsman Coupe and all leather trimmed closed units)	46-48
6A 9271	Case assy (instrument cluster)	1	Pass	47-48
+78 9272	Bar (fuel gauge to oil gauge bus)	1	Pass,Comm,Trucks	37-39
01A 9272-A	Bar (fuel gauge to oil gauge bus)	2	Pass	40-41
		2	Comm,Trucks	40-47
21A 9272	Bar (fuel gauge to oil gauge bus)	2	Pass	42-48
48 9273	Gauge assy (oil pressure)-instrument panel unit- silver dial-replaced by 68-9273	1	Pass,Comm,Trucks	35-36
68 9273	Gauge assy (oil pressure)-instrument panel unit- with brown dial	1	Pass,Comm	36
78 9273	Gauge assy (oil pressure)-instrument panel unit- replaced by 91A-9273-B	1	Pass,Comm,Trucks	37
81A 9273-A	Gauge assy (oil pressure)-instrument panel unit- replaced by 91A-9273-B	1	Std Pass,Comm,Trucks	38
81A 9273-B	Gauge assy (oil pressure)-instrument panel unit- replaced by 91A 9273-B	1	DeLuxe Pass	38
91A 9273-A	Gauge assy (oil pressure)-instrument panel unit- replaced by 91A 9273-B	1	Std Pass,Comm,Trucks	39
91A 9273-B	Gauge assy (oil pressure)-instrument panel unit	1	DeLuxe Pass	39
01A 9273-A	Gauge assy (oil pressure)-instrument panel unit- replaced by 11C 9273-A	1	Std Pass	40
01A 9273-B	Gauge assy (oil pressure)-instrument panel unit- replaced by 11C 9273-A	1	DeLuxe Pass	40
11A 9273-B	Gauge assy (oil pressure)-instrument panel unit	1	Pass	41
11C 9273-A	Gauge assy (oil pressure)-instrument panel unit	1	Comm,Trucks	41-42
21A 9273	Gauge assy (oil pressure)-instrument panel unit	1	Pass	42

+ No Longer Supplied



CHASSIS PARTS CATALOGUE

PART NUMBER	PART NAME	NO. REQ'D	MODEL	YEAR
				19__
41C 9273	Gauge assy (oil pressure)-instrument panel unit	1	Comm, Trucks	44-47
	34079-S7 Nut (wiring to fuel & oil pressure gauge-No.10-32)	3	Pass, Comm, Trucks	38-39
	34803-S7 Lockwasher (wiring to fuel & oil pressure gauge)-No.10	3	Pass, Comm, Trucks	38-39
	34079-S7 Nut (oil pressure gauge binding post)-#10-32	2	Comm, Trucks	44-47
	26457-S7 Screw (oil pressure gauge to instr. cluster)-No.8-32 x 1/4"	2	Comm, Trucks	44-47
	34803-S7 Lockwasher (oil pressure gauge binding post)-No.10	2	Comm, Trucks	42-47
51A 9273-A	Gauge assy (oil pressure)-instrument panel unit-LHD	1	DeLuxe Pass, Sportsman Coupe, Conv Coupe, Station Wagon & all leather trimmed closed units	46-47
51A 9273-B	Gauge assy (oil pressure)-instrument panel unit	1	Super DeLuxe Pass (except Sportsman Coupe Convertible Coupe, Station Wagon & all leather trimmed closed units)	46-47
6A 9273	Gauge assy (oil pressure)-instrument panel unit	1	Pass	47-48
+91A 9274	Bar (oil pressure gauge to battery indicator connector)	1	DeLuxe Pass	39-48
B 9275	Gauge assy (fuel)-tank unit	1	Pass, Comm	32
BB 9275	Gauge assy (fuel)-tank unit	1	Trucks	32-34
40 9275-B	Gauge assy (fuel)-tank unit	1	Pass, Comm (8 cyl)	33-34
+40 9275-C	Gauge assy (fuel)-tank unit	1	Pass, Comm (4 cyl)	33-34
48 9275	Gauge assy (fuel)-tank unit	1	Pass, Comm	35
+51 9275	Gauge assy (fuel)-tank unit	1	Trucks	35-36
79 9275-C	Gauge assy (fuel)-tank unit-has 2" float	1	Trucks	37
99A 9275-B	Gauge assy (fuel)-tank unit	1	Pass	41-48
		1	Comm (except Sedan Delivery)	42-47
01A 9275-A	Gauge assy (fuel)-tank unit	1	Pass (except Sedan Delivery)	36-40
		1	Comm	36-41
01A 9275-B	Gauge assy (fuel)-tank unit	1	Sedan Delivery	40-41
01T 9275	Gauge assy (fuel)-tank unit-has 4" float	1	Trucks except COE	38-41
		1	Except Panels	40-41
01W 9275	Gauge assy (fuel)-tank unit	1	COE	38-47
01Y 9275	Gauge assy (fuel)-tank unit	1	Panels	40-41
21A 9275-A	Gauge assy (fuel)-tank unit	1	Sedan Delivery	42-48
21C 9275-A	Gauge assy (fuel)-tank unit	1	Closed Cabs (except COE)	42-47
21C 9275-B	Gauge assy (fuel)-tank unit	1	Panels	42-47
594T 9275	Gauge assy (fuel)-tank unit	1	School Bus	45-47
	24308-S7 Bolt (tank unit fuel gauge)-1/4"-20 x 1/2"	1	Pass, Comm	32-34
	33795-S7 Nut (tank unit fuel gauge)-1/4"-20	1	Pass, Comm	32-34
	34805-S8 Lockwasher (tank unit fuel gauge)-1/4"	1	Pass, Comm	32-34
	27081-S7 Screw (tank unit fuel gauge to tank)-No.10-32 x 1/2"	6	Pass	32-48
		6	Comm, Trucks	32-47
	351270-SA Washer (tank unit fuel gauge to tank)-copper asbestos-7/32"	6	Pass, Comm	32-38
	34803-S7 Lockwasher (tank unit fuel gauge to tank)-No.10	6	Pass	32-48
		6	Comm, Trucks	32-47
	26457-S7 Screw (fuel gauge wire to tank unit)-No.8-32 x 1/4"	1	Pass	36-48
		1	Comm, Trucks	36-47
	34802-S7 Lockwasher (fuel gauge wire to tank unit)-No.8	1	Pass	36-48
		1	Comm, Trucks	36-47
B 9276	Gasket (fuel gauge tank unit)	1	Pass, Comm	32-35
+BB 9276	Gasket (fuel gauge tank unit)	1	Trucks	32-37
68 9276	Gasket (fuel gauge tank unit)	1	Pass	36-48
		1	Comm, Trucks	36-47
48 9278	Gauge (oil pressure)-engine unit-50 lbs.	1	Pass, Comm, Trucks	35-42

† No Longer Supplied



CHASSIS PARTS CATALOGUE

PART NUMBER	PART NAME	NO. REQ'D	MODEL	YEAR
				19
41A 9278	Gauge (oil pressure)-engine unit-80 lbs.	1	Pass	44-48
		1	Comm,Trucks	44-47
	26457-S7 Screw (wire to oil pressure gauge engine unit)-No.8-32 x 1/4"	1	Pass	36-48
		1	Comm,Trucks	36-47
	34802-S7 Lockwasher (wire to oil pressure gauge engine unit)-No.8	1	Pass	36-48
		1	Comm,Trucks	36-47
+40 9279	Clip (fuel gauge air line to dash)	1	Pass,Comm (4 cyl)	33-34
	21467-S7 Bolt (fuel gauge air line to dash)-1/4"-20 x 1 3/8"	1	Pass,Comm (4 cyl)	33-34
	24344-S7 Bolt (fuel gauge air line to dash)-1/4"-20 x 3/4"	1	Pass,Comm (4 cyl)	33-34
	33795-S7 Nut (fuel gauge air line to dash)-1/4"-20	2	Pass,Comm (4 cyl)	33-34
	34805-S8 Lockwasher (fuel gauge air line to dash)-1/4"	2	Pass,Comm (4 cyl)	33-34
B 9280	Gauge assy (fuel)-instrument panel unit	1	Pass,Comm,Trucks (4 cyl)	32-34
B 9280	Gauge assy (fuel)-instrument panel unit	1	(Pass,Comm 1932-8 cyl)(Trucks 1932-34 8 cyl)	32-34
40 9280	Gauge assy (fuel)-instrument panel unit	1	Pass,Comm (8 cyl)	33-34
48 9280-A	Gauge assy (fuel)-instrument panel unit	1	Std Pass,Comm	35
48 9280-B	Gauge assy (fuel)-instrument panel unit	1	DeLuxe Pass,Comm	35
51 9280-A	Gauge assy (fuel)-instrument panel unit	1	Trucks	35
51 9280-B	Gauge assy (fuel)-instrument panel unit	1	Trucks	35-36
68 9280-B	Gauge assy (fuel)-instrument panel unit-Silver dial	1	Pass,Comm	36
68 9280-C	Gauge assy (fuel)-instrument panel unit-Brown dial	1	Pass,Comm	36
78 9280	Gauge assy (fuel)-instrument panel unit (replaced by 91A 9280-B)	1	Pass,Comm,Trucks	37-39
81A 9280-A	Gauge assy (fuel)-instrument panel unit (replaced by 91A 9280-B)	1	Std Pass,Comm,Trucks	38
81A 9280-B	Gauge assy (fuel)-instrument panel unit (replaced by 91A 9280-B)	1	DeLuxe Pass	38
91A 9280-A	Gauge assy (fuel)-instrument panel unit (replaced by 91A 9280-B)	1	Std Pass,Comm,Trucks (COE 1940)	39-40
91A 9280-B	Gauge assy (fuel)-instrument panel unit	1	Pass,Comm,Trucks (COE-1940)	37-40
	34079-S7 Nut (fuel gauge)-No.10-32	2	Pass,Comm,Trucks	32-39
	34803-S7 Lockwasher (fuel gauge)-No.10	2	Pass,Comm,Trucks	32-39
01A 9280-A	Gauge assy (fuel)-instrument panel unit (replaced by 11C 9280-A)	1	Std Pass,Comm,Trucks	40
01A 9280-B	Gauge assy (fuel)-instrument panel unit (replaced by 11C 9280-A)	1	DeLuxe Pass	40
11A 9280-B	Gauge assy (fuel)-instrument panel unit	1	Pass	41
11C 9280-A	Gauge assy (fuel)-instrument panel unit	1	Pass	40-41
		1	Comm,Trucks	40-47
11C 9280-B	Gauge assy (fuel)-instrument panel unit (replaced by 11C 9280-A)	1	Sedan Delivery	41
21A 9280	Gauge assy (fuel)-instrument panel unit	1	Pass	42
51A 9280-A	Gauge assy (fuel)-instrument panel unit-LHD	1	DeLuxe Pass,Sportsman Coupe,Conv.Club Coupe,Station Wagon & all leather trimmed Super DeLuxe Closed Units	46-47
51A 9280-B	Gauge assy (fuel)-instrument panel unit-LHD	1	Super DeLuxe Pass (except Sportsman Coupe, Conv.Club Coupe,Station Wagon & all leather trimmed Super DeLuxe Closed Units	46-47
6A 9280	Gauge assy (fuel)-instrument panel unit-LHD	1	Pass	47-48
	26457-S7 Screw (fuel gauge to instrument cluster)-No.8-32 x 1/4"	2	Pass	40-48
		2	Comm,Trucks	40-47
	34079-S7 Nut (fuel gauge terminal)-No.10-32	2	Pass	40-48
		2	Comm,Trucks	40-47
	34803-S7 Lockwasher (fuel gauge terminal nut)-No.10	2	Pass	40-48
		2	Comm,Trucks	40-47

+ No Longer Supplied



CHASSIS PARTS CATALOGUE

FUEL LINE CHART

PART NUMBER	MODEL	ENGINE		YEAR 19					REPLACED BY							
		CYL.	H. P.	PASS.	COMM.	122" W.B. ¾ TON	122" W.B. 1 TON	TRUCK	B-9282-A	B-9282-A	B-9282-A	B-9282-A	B-9286	B-9287	CUT TO LENGTH @ 91A-2200	
68 9282	All	8	All	36-39	36-39							2	2			138.7"
81W 9282	COE	8	All					38-47	1	1	1	1				21.5"
01A 9282-A	All (except Sedan Delivery)	8	90	40	40-41							2	2			138.7"
01A 9282-B	Sedan Delivery	8	90	40								2	2			78.0"
01A 9282-C	Sedan Delivery	8	90	40-42								2	2			81.2"
022A 9282	All	8	60	40	40							2	2			138.2"
09A 9282	All	8	100	40-41								2	2			152.7"
0NA 9282-A	All (except Sedan Delivery)	4	40		41-42							2	2			164.0"
0NA 9282-B	Sedan Delivery	4	40	41								2	2			108.0"
11A 9282	All	8	All	41-48								2	2			152.5"
1GA 9282	All (except Sedan Delivery)	6	90	41-48								2	2			182.5"
1GC 9282-A	All (except Sedan Delivery)	6	90		41							2	2			173.0"
1GC 9282-B	Sedan Delivery	6	90	41-42								2	2			117.7"
51A 9282-B	Sedan Delivery	8	100	46-47								2	2			94.0"
5GA 9282	Sedan Delivery	6	90	46-47								2	2			130.5"
79 9284	Cover (electric fuel gauge tank unit)-except with 10 gallon tank	All	All		41-47	39-47	38-47	37-47				2	2			
†B 9286	Nut (fuel gauge air line)	All	All	32-35	32-35			32-35								
B 9287	Ferrule (fuel gauge air line)	All	All	32-35	32-35			32-35								
B 9288-A	(flexible)	4		32-34	32-34			32-34								
BB 9288-A	(flexible)	8	90					32-34								
18 9288-A	(flexible)	6	All	32-48	32-47	39-47	38-47	35-47								
18 9288-A	(flexible)	8	All	32-48	32-47	39-47	38-47	35-47								
B 9289	All	4		32	32							2	2	2	2	103.75"
BB 9289-A	Trucks (except Panels)							32-34	1	1	1	1	2	2		55.12"
BB 9289-B	School & Pass Bus	All	All					32-34	1	1	1	1	2	2		87.25"
BB 9289-C	Panel Delivery-use with BB-9002-B.	All	All					32-34	1	1	1	1	2	2		56.12"
18 9289	All	8	90	32	32							2	2	2	2	126.0"
40 9289	All	8	90	33-34	33-34							2	2	2	2	131.0"
46 9289-A	All	4			33-34							2	2	2	2	139.0"
46 9289-B	All	4		33-34								2	2	2	2	139.0"
48 9289	All	8	90	35	35							2	2	2	2	139.5"
51 9289-A	Trucks-use with 51-9002-D	8	90					35-36	1	1	1	1	2	2		65.0"
51 9289-B	Trucks-use with 51-9002-A,B,C	8	90					35-36	1	1	1	1	2	2		88.3"
79 9289-A	Trucks-use with 10 gal. tank	All	All						1	1	1	1				65.0"
79 9289-B	Trucks (except COE)-not used with 10 gal. tank	All	All			39-41	38-41	37-41	1	1	1	1				72.0"
91Y 9289	Trucks	All	All				39		1	1	1	1				72.0"
01T 9289	Panel Delivery	All	All			40-41	40-41	40-41				2	2			86.7"
0NY 9289-A	Trucks (except Panels)	4	40			41	41		1	1	1	1				103.0"
0NY 9289-B	Panel Delivery	4	40			41	41					2	2			117.7"
1GT 9289-A	Trucks (except Panels)	6	90					41	1	1	1	1				110.2"
1GT 9289-B	Panel Delivery	6	90					41				2	2			124.7"
21C 9289-A	Closed Cabs (ex 194" School Bus 45-47)	8	All					42-47	1	1	1	1				85.3"
21C 9289-B	Panel Delivery	8	All					42-47				2	2			86.1"
2GC 9289-A	Closed Cabs (ex 194" School Bus 45-47)	6	90					42-47	1	1	1	1				122.2"
2GC 9289-B	Panel Delivery	6	90					42-47				2	2			123.0"
2NC 9289-A	All (except Panels)	4	40			42	42	42	1	1	1	1				132.8"
2NC 9289-B	Panel Delivery	4	40			42	42	42				2	2			132.6"
594T 9289	School Bus	8	100					45-47				2	2			131.6"
5G4T 9289	School Bus	6	90					45-47				2	2			168.6"

† No Longer Supplied

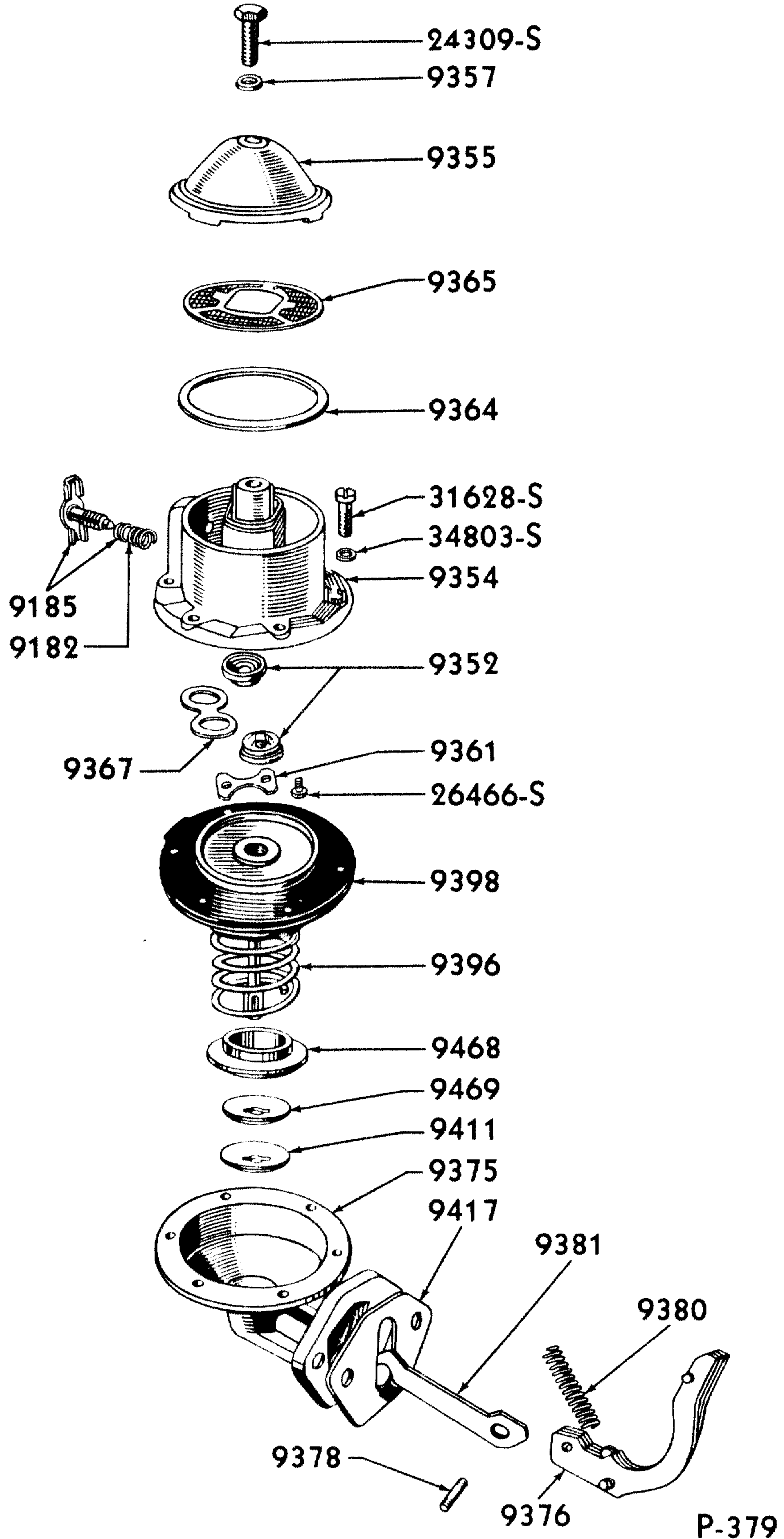


CHASSIS PARTS CATALOGUE

PART NUMBER	PART NAME	NO. REQ'D	MODEL	YEAR
				19__
+01A 9293	Anti-squeak (fuel tank to floor pan)	2	Sedan Delivery	40-41
+B 9294	Clip (fuel & air line)		Pass Comm, Trucks	32-48 32-47
+B 9295	Clip (fuel & air line)		Pass Comm, Trucks	32-48 32-47
+B 9295	Clip (license lamp wire on deck door hinge)		Refer to Terminals, Wiring Clips & Support Group	
+B 9295	Clip (license lamp wire on deck door hinge)		Refer to License Plate Lamp Group	
+B 9295	Clip (speedometer cable to frame)		Refer to 17255 Speedometer Group	
+B 9295	Clip (windshield wiper tube)		Refer to Windshield Wiper Group	
18 9296	Clip (fuel & air line)		Pass Comm, Trucks	32-48 32-47
+18 9297	Clip (fuel & air line)		Pass Comm, Trucks	32-48 32-47
+51 9297	Clip (fuel & air line)		Trucks	35-39
+51 9297	Clip (heat indicator engine unit wire)		Refer to 99A-10884	
+51 9297	Clip (speedometer cable to dash)		Refer to 17261 Group	
	91T-2081 Clip (fuel line)		Pass Comm, Trucks	32-48 32-47
	+91A-2244-A Clip (fuel line)		Pass Comm, Trucks	32-48 32-47
	01A-2244 Clip (fuel line)		Pass Comm, Trucks	32-48 32-47
	01T-2244-A Clip (fuel line)		Pass Comm, Trucks	32-48 32-47
	01T-2244-B Clip (fuel line)		Pass Comm, Trucks	32-48 32-47
	40-13454 Clip (fuel & air line)		Pass Comm, Trucks	32-48 32-47
	B-14604 Grommet (air line to dash)	1	Pass, Comm	32-34
	B-14567-C Grommet (air line to dash)	1	Pass, Comm	35
	24387-S7 Bolt (fuel line clip)-5/16"- 24 x 1" hex head		Pass Comm, Trucks	32-48 32-47
	23394-S2 Bolt (fuel line clip)-5/16"- 24 x 7/8" carriage		Pass Comm, Trucks	32-48 32-47
	26482-S7 Screw (fuel line clip)-No.12- 24 x 1/2" round head		Pass Comm, Trucks	32-48 32-47
	24344-S7 Bolt (fuel line clip)-1/4" 20 x 3/4" hex head		Pass Comm, Trucks	32-48 32-47
	33798-S8 Nut (fuel line clip)-5/16"-24			
	33795-S7 Nut (fuel line clip)-1/4"-20			
	34054-S8 Nut (fuel line clip)-No.12-24			
	34846-S2 Lockwasher-5/16"			
	34805-S8 Lockwasher-1/4"			
	34804-S8 Lockwasher-No.12			
51 9299-B	Anti-squeak (fuel tank to body)-use with 10 gallon tank	1	Trucks	35-37
+81A 9299	Anti-squeak (fuel tank to frame)	1 1	Pass (except Sedan Delivery) Comm, Trucks	32-48 32-47
81T 9299-A	Anti-squeak (fuel tank)	1	Trucks (except COE and Panels)	32-41
99A 9299-A	Anti-squeak (fuel tank to frame)	3	(Pass-90 HP 1941-47)(Pass-100 HP 1939-47) except Sedan Delivery	39-48
21A 9299-A	Anti-squeak (fuel tank)	3	Sedan Delivery	42-47
21C 9299-A	Anti-squeak (fuel tank)	3	Closed Cab (except 194" School Bus 1945-47)	42-47
21C 9299-B	Anti-squeak (fuel tank support)	2	Panels	42-47
+BB 9307	Gasket (fuel gauge to fuel tank screw)	6	Trucks	32-37
A 9321	Gasket (fuel gauge frame)	1	Pass, Comm, Trucks	28-31
+A 9324	Gasket (fuel gauge glass)	1	Pass, Comm, Trucks	28-31
A 9325	Shield (fuel gauge)	1	Pass, Comm, Trucks	28-31
A 9326-A	Cover (fuel gauge)	1	Pass, Comm, Trucks	28-31

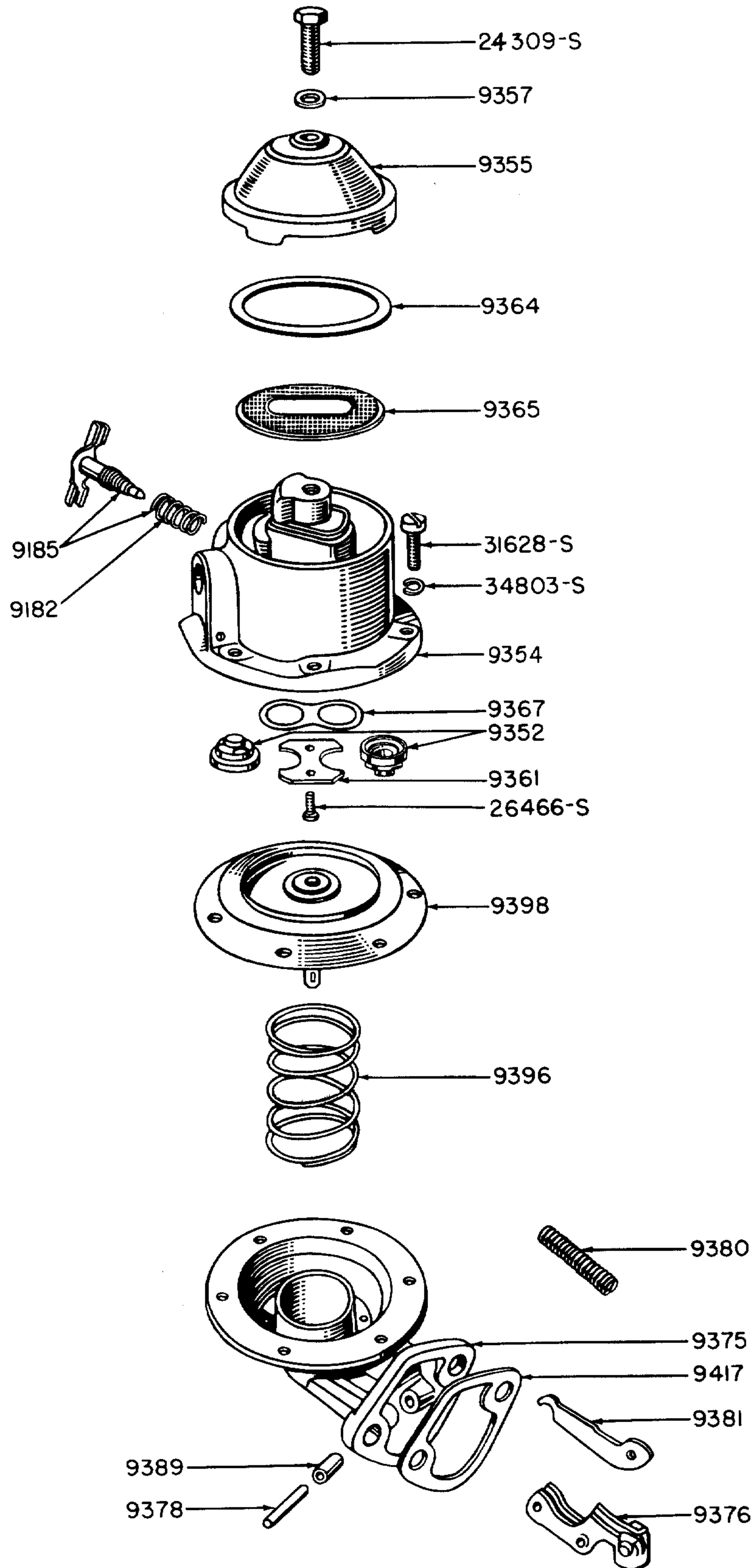
† No Longer Supplied

CHASSIS PARTS CATALOGUE



1941-47 6 CYL. "G" SERIES FUEL PUMP (1GA-9350)

Basic numbers only shown on illustration. Order by Part Numbers shown in list of parts.

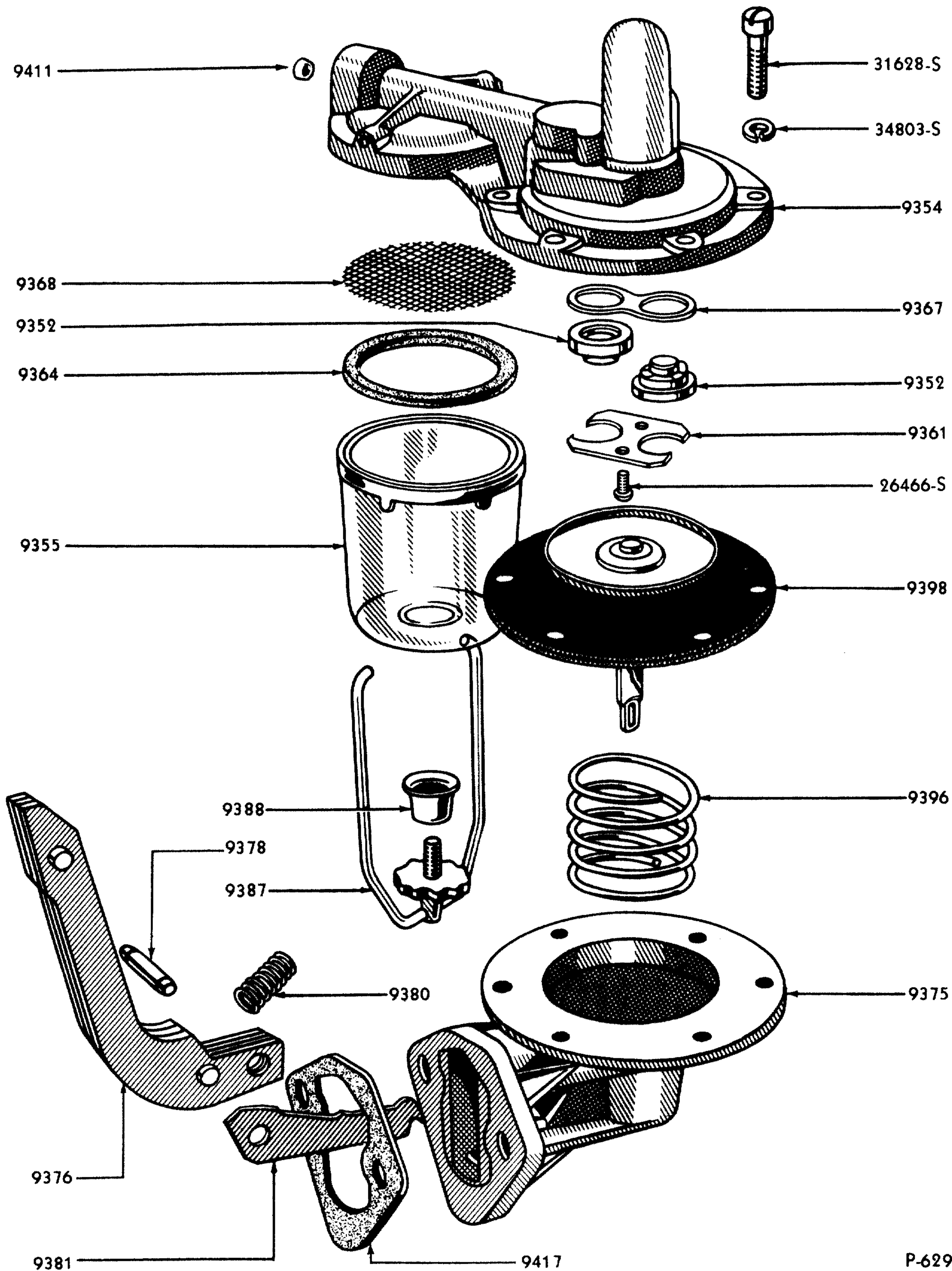


P-380

1932-46 8 CYL. FUEL PUMP (11A-9350)

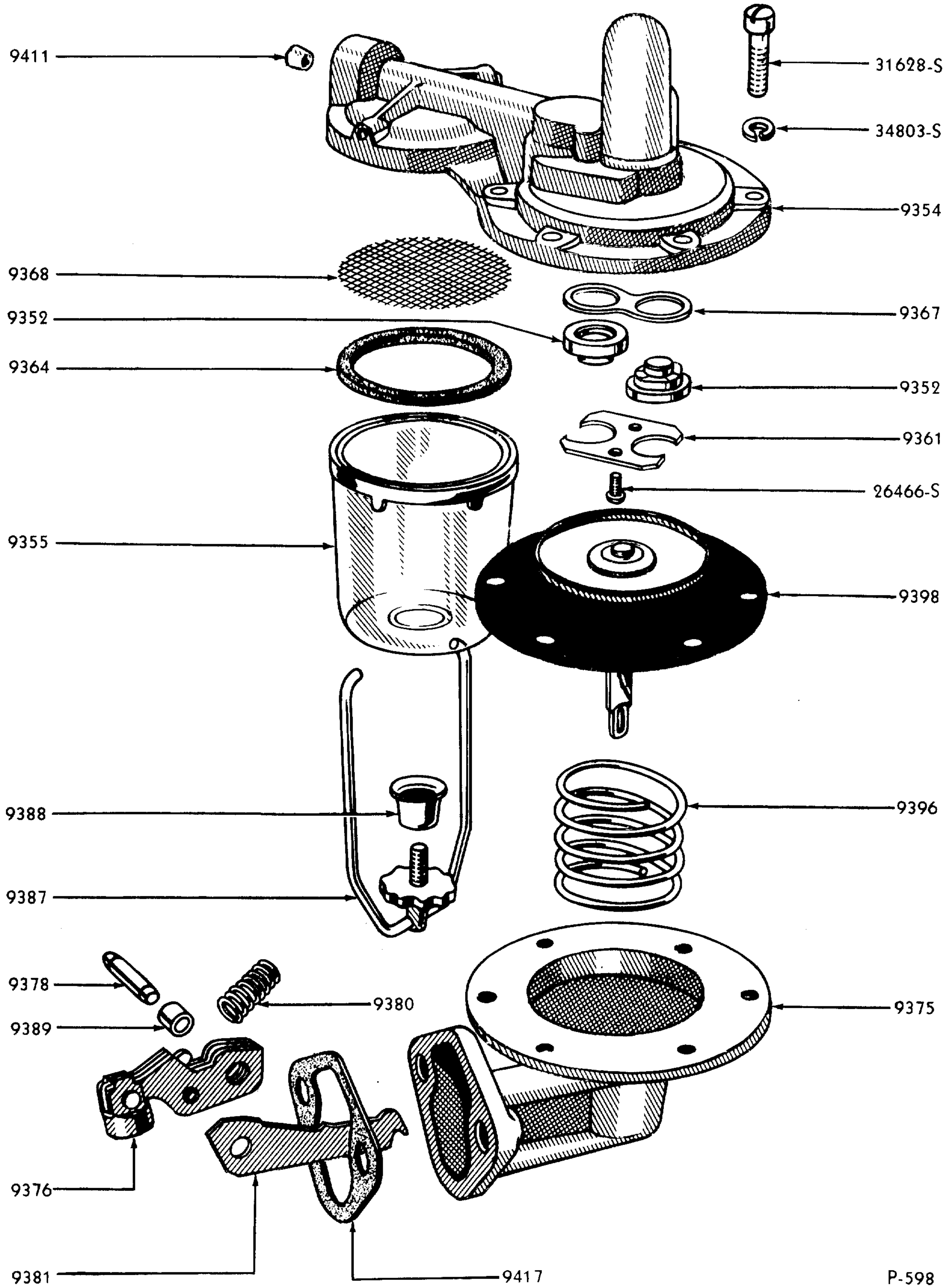
Basic numbers only shown on illustration. Order by Part Numbers shown in list of parts.

CHASSIS PARTS CATALOGUE



1947-48 6 CYL. "H" SERIES FUEL PUMP (7HA-9350-B)

Basic numbers only shown on illustration. Order by Part Numbers shown in list of parts.



1947-48 8 CYL. FUEL PUMP (59A-9350-A)

P-598

Basic numbers only shown on illustration. Order by Part Numbers shown in list of parts.



CHASSIS PARTS CATALOGUE

FUEL PUMP REPLACEMENT CHART

PART NUMBER	REPLACED BY	ENGINE		PASS. 19___	COMM. OR LIGHT TRUCK 19___	TRUCK		
		NO. CYL.	H. P.			122" 3/4 TON 19___	122" TON 19___	1 1/2 TON 19___
B 9350		4		32-34	32-34			32-34
Δ18 9350	⊙	8	90	32	32			32
40 9350	⊙	8	90	33-36	33-36			33-36
68 9350		8	90	36-40	36-40	39-40	38-40	36-40
		8	100	39-40	39-40	39-40	39-40	39-40
52 9350-B		8	60	37-40	37-40	39-40	38-40	37-40
\$11A 9350		8	90	41-42	41-42	41-42	41-42	41-42
		8	100	41-46	41-46	41-46	41-46	41-46
◇1GA-9350		6	90	41-47	41-47	41-47	41-47	41-47
1NC 9350		4	40		41-42	41-42	41-42	41-42
59A 9350-A		8	100	47-48	47	47	47	47
#7HA 9350-B		6	90	47-48	47	47	47	47

Fuel Pump

PART NUMBER	PART NAME	NO. REQ'D	MODEL	YEAR 19___
68 9349	Repair kit (fuel pump)-use with 40-9350, 68-9350 & 52-9350-B-consists of the following	1	Pass,Comm,Trucks 60,90 & 100 HP (8 cyl)	32-40
	1- 40 9357 Washer 1- 68 9365-A Screen			
	2- 40 9358-A Valve 1- 40 9376-B Arm			
	2- B 9360 Spring 1- 40 9378 Pin			
	1- 40 9363 Gasket 1- 40 9380 Spring			
	1- 40 9364 Gasket 1- 40 9381-A Link			
	1- 68 9364 Gasket 1- 40 9389 Bushing			
	1- 40 9365 Screen 1- 40 9396 Spring			
	1- 68 9398 Diaphragm			
11A 9349	Repair kit (fuel pump)-use with 11A-9350 & 59A-9350-A-consists of the following	1	Pass 90 & 100 HP (8 cyl)	32-48
	2-11A 9352 Valve 1- 40 9378 Pin	1	Comm,Trucks 90 & 100 HP (8 cyl)	32-47
	1- 40 9357 Washer 1- 40 9380 Spring			
	1- 68 9364 Gasket 1- 40 9381-A Link			
	1-59A 9364 Gasket 1- 40 9389 Bushing			
	1-11A 9365 Screen 1- 40 9396 Spring			
	1-11A 9367 Gasket 1- 68 9398 Diaphragm			
	1-59A 9368 Screen 1- 40 9417 Gasket			
	1- 40 9376-B Arm 3- 31628-S7 Screw			
	3- 34803-S7 Lockwasher			

- ⊙ Replaced by 11A-9350 on aluminum valve chamber covers and by 59A-9350-A on cast iron valve chamber covers.
- Δ Also necessary to use 1-91A-9369-B Pipe, 1-40-9415 Adapter, 2/33798-S7 Nut, 4-351242-S7 Washer and 4-20326-S7 Bolt.
- ◇ 6 Cylinder "G" Series. # 6 Cylinder "H" Series. \$ For units having Aluminum Valve Chamber Cover.



CHASSIS PARTS CATALOGUE

PART NUMBER	PART NAME	NO. REQ'D	MODEL	YEAR 19__
1GA 9349-A	Repair kit (fuel pump)-use with 1GA-9350- consists of the following	1	Pass,Comm,Trucks 90 HP (6 cyl"G" Series)	41-47
	2-11A 9352 Valve 1-1GA 9378 Pin			
	1- 40 9357 Washer 1- 40 9380 Spring			
	1- 68 9364 Gasket 1-1GA 9381 Link			
	1-11A 9365 Screen 1- 40 9396 Spring			
	1-11A 9367 Gasket 1- 68 9398 Diaphragm			
	1-1GA 9376 Arm 1-1GA 9417 Gasket			
	2-1GA 9469 Oil seal			
7HA 9349	Repair kit (fuel pump)-use with 7HA-9350-B- consists of the following	1	Pass (6 cyl"H" Series)	47-48
		1	Trucks (6 cyl "H" Series)	47
	2-11A 9352 Valve 1-1GA 9381 Link			
	1-59A 9364 Gasket 1-7HA 9396 Spring			
	1-11A 9367 Gasket 1-7HA 9398 Diaphragm			
	1-59A 9368 Screen 1-1GA 9411 Washer			
	1-7HA 9376 Arm 1-1GA 9417 Gasket			
	1-1GA 9378 Pin 1-1GA 9468 Retainer			
	1- 40 9380 Spring 2-1GA 9469 Oil seal			
B 9350	Pump assy (fuel)-rocker arm type	1	Pass,Comm,Trucks (4 cyl)	32-34
	24366-S8 Bolt (fuel pump to cyl.block)- 5/16"-18 x 7/8"	2	Pass,Comm,Trucks (4 cyl)	32-34
	34846-S2 Lockwasher (fuel pump to cyl. block bolt)-5/16"	2	Pass,Comm,Trucks (4 cyl)	32-34
18 9350	Pump assy (fuel)-sleeve type-replaced by the following:	1	Pass,Comm,Trucks-90 HP (8 cyl)	32
	1-59A 9350-A Pump 4-351242-S7 Washer			
	1-91A 9369-B Pipe 4-20326-S7 Bolt			
	2- 33798-S7 Nut 1- 40 9415 Adapter			
40 9350	Pump assy (fuel)-rocker arm type-replaced by 59A-9350-A, 11A-9350 or 68-9350	1	Pass,Comm,Trucks-90 HP (8 cyl)	32-36
52 9350-B	Pump assy (fuel)-rocker arm type	1	Pass,Comm,Trucks-60 HP (8 cyl)	37-40
	20326-S7 Bolt (fuel pump to valve chamber cover)-5/16"-18 x 5/8"	2	Pass,Comm,Trucks-60 HP (8 cyl)	37-40
	351242-S7 Washer-flat (fuel pump to valve chamber cover)-21/64"	2	Pass,Comm,Trucks-60 HP (8 cyl)	37-40
68 9350	Pump assy (fuel)-rocker arm type	1	Pass,Comm,Trucks-90 & 100 HP (8 cyl)	32-40
11A 9350	Pump assy (fuel)-rocker arm type-for units having aluminum valve chamber cover	1	Pass,Comm,Trucks-90 & 100 HP (8 cyl)	32-46
	20326-S7 Bolt (fuel pump attaching)- 5/16"-18 x 5/8"	2	Pass,Comm,Trucks-60,90 & 100 HP (8 cyl)	32-46
	351242-S7 Washer-flat(fuel pump attaching) 21/64"	2	Pass,Comm,Trucks-60,90 & 100 HP (8 cyl)	32-46
1GA 9350	Pump assy (fuel)-rocker arm type	1	Pass,Comm,Trucks-6 cyl "G" Series	41-47
	24366-S8 Bolt (fuel pump to cylinder block)-5/16"-18 x 7/8"	2	Pass,Comm,Trucks (6 cyl "G" Series)	41-47
	34846-S2 Lockwasher-5/16"			
1NC 9350	Pump assy (fuel)-rocker arm type	1	Comm,Trucks-40 HP (4 cyl)	41-42
	24346-S7 Bolt (fuel pump to cyl.block)- 5/16"-18 x 3/4"	2	Comm,Trucks-40 HP (4 cyl)	41-42
	34846-S2 Lockwasher (fuel pump to cyl. block bolt)-5/16"	2	Comm,Trucks-40 HP (4 cyl)	41-42



CHASSIS PARTS CATALOGUE

PART NUMBER	PART NAME	NO. REQ'D	MODEL	YEAR
				19__
59A 9350-A	Pump assy (fuel)-rocker arm type-glass strainer bowl	1	Pass-90 & 100 HP (8 cyl)	32-48
		1	Comm,Trucks-90 & 100 HP (8 cyl)	32-47
20326-S7	Bolt (fuel pump attaching)- 5/16"-18 x 5/8"	2	Pass-90 & 100 HP (8 cyl)	32-48
		2	Comm,Trucks-90 & 100 HP (8 cyl)	32-47
351242-S7	Washer-flat (fuel pump attaching)-21/64"	2	Pass-90 & 100 HP (8 cyl)	32-48
		2	Comm,Trucks-90 & 100 HP (8 cyl)	32-47
18-6025-A	Bushing (fuel pump rod)-in cylinder block	1	Pass-60,90 & 100 HP (8 cyl)	32-48
		1	Comm,Trucks-60,90 & 100 HP (8 cyl)	32-47
91A-2133	Nut (fuel pump to carburetor fuel line)	2	Pass (4,6 & 8 cyl)	32-48
		2	Comm,Trucks (4,6 & 8 cyl)	32-47
91A-2269	Pipe (fuel line)-1/4"-supplied in 25 ft.rolls		Pass (4,6 & 8 cyl)	32-48
			Comm,Trucks (4,6 & 8 cyl)	32-47
B-9242-A	Ferrule (fuel line pipe)	2	Pass (4,6 & 8 cyl)	32-48
		2	Comm,Trucks (4,6 & 8 cyl)	32-47
B-9243-A	Nut (fuel line pipe)	2	Pass (4,6 & 8 cyl)	32-48
		2	Comm,Trucks (4,6 & 8 cyl)	32-47
91A-9369-B	Pipe assy (fuel pump to carb.)-15"	1	Pass-60,90 & 100 HP (8 cyl)	32-48
		1	Comm,Trucks-60,90 & 100 HP (8 cyl)	32-47
ONA-9369	Pipe assy (fuel pump to carb.)	1	Comm,Trucks-40 HP (4 cyl)	41-42
1GA-9369-A	Pipe assy (fuel pump to carb.)- 21.1" long-replaced by 5GA-9369-B	1	Pass,Comm,Trucks-90 HP (6 cyl)	41-42
5GA-9369-B	Pipe assy (fuel pump to carburetor) 23.6" long	1	Pass,Comm,Trucks (6 cyl "G" Series)	41-47
7HA-9369	Pipe assy (fuel pump to carb.) 22.76" long	1	Pass-90 HP (6 cyl "H" Series)	47-48
		1	Trucks-90 HP (6 cyl "H" Series)	47
7HA 9350-B	Pump assy (fuel)-rocker arm type-glass strainer bowl	1	Pass (6 cyl "H" Series)	47-48
		1	Trucks (6 cyl "H" Series)	47
24366-S8	Bolt (fuel pump to cyl. block)- 5/16"-18 x 7/8"	2	Pass-90 HP (6 cyl)	41-48
		2	Comm,Trucks-90 HP (6 cyl)	41-47
34846-S2	Lockwasher (fuel pump to cyl. block bolt)-5/16"	2	Pass-90 HP (6 cyl)	41-48
		2	Comm,Trucks-90 HP (6 cyl)	41-47
88367-S	Stud (fuel pump to cylinder block)-5/16"-18 & 5/16"-24 x 1 3/16" long	2	Pass (6 cyl "H" Series)	47-48
		2	Trucks (6 cyl "H" Series)	47
33798-S8	Nut-5/16"-24			
34846-S2	Lockwasher-5/16"			
B-9374	Gasket (fuel pump to cyl.block)	1	Pass,Comm,Trucks (4 cyl)	32-34
48-9374	Gasket (fuel pump mounting adapter to valve chamber cover)	1	Pass-90 & 100 HP (8 cyl)	32-48
		1	Comm,Trucks-90 & 100 HP (8 cyl)	32-47
40-9417	Gasket (fuel pump to mounting adapter)	1	Pass-90 & 100 HP (8 cyl)	32-48
		1	Comm,Trucks-90 & 100 HP (8 cyl)	32-47
1GA-9417	Gasket (fuel pump to cyl.block)	1	Pass-90 HP (6 cyl)	41-48
		1	Comm,Trucks-90 HP (6 cyl)	41-47



CHASSIS PARTS CATALOGUE

FUEL PUMP CHART

PART NUMBER	PART NAME	FUEL PUMP								
		B-9350	40-9350	68-9350	52-9350-B	11A-9350	1GA-9350	INC-9350	59A-9350-A	7HA-9350-B
		NUMBER REQUIRED								
	59A 9167 Thumb nut (fuel pump gas strainer)								1	
	B 9182 Spring (fuel pump drain plug)	1		1		1	1	1		
	B 9185-B Plug assy (fuel pump drain)	1		1		1	1	1		
	355150-S7 Screw (fuel pump drain)-No.10-32 x 19/64"		1		1					
\$40 9351	Body & valve seat assy (fuel pump upper)		1		1					
68 9351	Body & valve seat assy (fuel pump upper)			1						
11A 9351	Body & valve seat assy (fuel pump upper)					1	1	1		
11A 9352	Valve assy (fuel pump)					2	2	2	2	2
B 9353	Body assy (fuel pump upper)	1								
†40 9353	Body assy (fuel pump upper)		1		1					
68 9353	Body assy (fuel pump upper)-replaced by 68-9354			1						
68 9354	Body (fuel pump upper)			1						
11A 9354	Body (fuel pump upper)					1	1	1		
59A 9354-A	Body (fuel pump upper)								1	1
	31628-S7 Screw (upper body to lower body)-No.10-32 x 5/8"	6	6	6	6	6	6	6	6	6
	34803-S7 Lockwasher (upper body to lower body)-No.10	6	6	6	6	6	6	6	6	6
B 9355	Cover (fuel pump upper body)	1								
	†34171-S7 Nut (upper body cover)-5/16"-24	1								
40 9355	Cover (fuel pump upper body)		1		1					
11A 9355	Cover (fuel pump upper body)			1		1	1	1		
	24309-S8 Bolt (upper body cover)-1/4"-28 x 1/2"		1	1	1	1	1	1		
59A 9355-A	Bowl (fuel pump filter)								1	1
40 9356	Retainer (fuel pump inlet valve)-replaced by 40-9361		1		1					
B 9357	Washer (fuel pump upper body cover screw)	1								
40 9357	Washer (fuel pump upper body cover screw)		1	1	1	1	1	1		
†B 9358	Valve (fuel pump)	2								
40 9358-A	Valve (fuel pump)-standard		2	2	2					
40 9358-B	Valve (fuel pump)-oversize		2	2	2					
B 9359	Seat (fuel pump valve)	1								
40 9359-A	Seat (fuel pump valve)-standard		1	1	1					
40 9359-B	Seat (fuel pump valve)-oversize		1	1	1					
B 9360	Spring (fuel pump valve seat)	2	2	2	2					
†B 9361	Seat (fuel pump inlet valve)	1								
40 9361	Plate (fuel pump valve)		1	1	1					
11A 9361	Plate (fuel pump valve)					1	1	1	1	1
	26466-S6 Screw (valve retainer plate)-No.6-32 x 3/8"					2	2	2	2	2
B 9362	Plug (fuel pump valve chamber)	1								
40 9362	Retainer (fuel pump valve spring outer)		1	1	1					
B 9363	Gasket (fuel pump valve chamber)	2								
40 9363	Gasket (fuel pump valve plate)		1	1	1					
†B 9364	Gasket (fuel pump upper body cover)	1								
40 9364	Gasket (fuel pump upper body cover)		1		1					
68 9364	Gasket (fuel pump upper body cover)			1		1	1	1		
59A 9364	Gasket (fuel pump filter bowl)								1	1
B 9365	Screen (fuel pump)	1								
40 9365	Screen (fuel pump)		1		1					
68 9365-A	Screen (fuel pump)			1						
11A 9365	Screen (fuel pump)					1	1	1		
11A 9367	Gasket (fuel pump valve to upper body)					1	1	1	1	1
59A 9368	Screen (fuel pump filter bowl)								1	1

‡ Replaced by 68-9351, 11A-9355, 68-9364 and 68-9365-A

† No Longer Supplied



CHASSIS PARTS CATALOGUE

FUEL PUMP CHART

PART NUMBER	PART NAME	FUEL PUMP								
		8-9350	40-9350	68-9350	52-9350-B	11A-9350	1GA-9350	1NC-9350	59A-9350-A	7HA-9350-B
		NUMBER REQUIRED								
91A 9369-A	Pipe assy (fuel pump to carburetor)-12" long-replaced by 91A 9369-B									
91A 9369-B	Pipe assy (fuel pump to carburetor)-15" long-refer to 9350		1	1	1	1				1
ONA 9369	Pipe assy (fuel pump to carburetor)-refer to 9350							1		
1GA 9369-A	Pipe assy (fuel pump to carburetor)-21.1" long-replaced by 5GA 9369-B									
5GA 9369-B	Pipe assy (fuel pump to carburetor)-23.60" long-refer to 9350						1			
7HA 9369	Pipe assy (fuel pump to carburetor)-22.76" long-refer to 9350									1
40 9373	Screw (fuel pump valve plate)-refer to 9350		3	3	3					
+B 9374	Gasket (fuel pump to cylinder block)	1								
48 9374	Gasket (fuel pump adapter to valve chamber cover)		1	1		1				1
B 9375	Body (fuel pump lower)	1								
+40 9375	Body (fuel pump lower)		1		1					
68 9375-A	Body (fuel pump lower)			1		1		1	1	
1GA 9375-A	Body (fuel pump lower)						1			
7HA 9375	Body (fuel pump lower)									1
B 9376	Arm assy (fuel pump rocker)	1								
40 9376-B	Arm assy (fuel pump rocker)		1	1	1	1				1
1GA 9376	Arm assy (fuel pump rocker)						1			
7HA 9376	Arm assy (fuel pump rocker)									1
+B 9378	Pin (fuel pump rocker arm)-1.93" long	1								
40 9378	Pin (fuel pump rocker arm)-1" long		1	1	1	1		1	1	
1GA 9378	Pin (fuel pump rocker arm)						1			1
B 9379	Retainer (fuel pump rocker arm)	1								
B 9380	Spring (fuel pump rocker arm return)	1								
40 9380	Spring (fuel pump rocker arm return)		1	1	1	1	1	1	1	1
B 9381	Link (fuel pump rocker arm)	1								
40 9381-A	Link (fuel pump rocker arm)		1	1	1	1			1	
1GA 9381	Link (fuel pump rocker arm)						1			1
1NC 9381	Link (fuel pump rocker arm)							1		
59A 9387-A	Bail assy (fuel pump filter bowl)								1	1
40 9388	Gasket (fuel pump drain plug screw)		1		1					
59A 9388	Seat (fuel pump filter bowl)								1	1
40 9389	Bushing (fuel pump rocker arm)		1	1	1	1		1	1	
B 9390	Diaphragm (fuel pump)	1								
B 9391	Protector (fuel pump diaphragm upper)	1								
B 9392	Protector (fuel pump diaphragm lower)	1								
B 9393	Rod (fuel pump diaphragm push)	1								
	33796-S7 Nut (fuel pump diaphragm push rod)-1/4"-28	1								
B 9394	Gasket (fuel pump diaphragm push rod)	1								
B 9395	Washer-plain (fuel pump diaphragm protector)-.26" I.D.	1								
+B 9396	Spring (fuel pump diaphragm)	1								
40 9396	Spring (fuel pump diaphragm)		1	1	1	1	1	1	1	
7HA 9396	Spring (fuel pump diaphragm)-painted yellow									1
68 9398	Diaphragm & pull rod assy (fuel pump)		1	1	1	1	1	1	1	
7HA 9398	Diaphragm & pull rod assy (fuel pump)									1
1NC 9399	Arm (fuel pump rocker)							1		
	59A-9411 Seal (fuel pump upper body)								1	1
	1GA-9411 Washer (fuel pump oil seal)						1			
	40-9417 Gasket (fuel pump to mounting adapter)		1	1	1	1	1		1	
	1GA-9417 Gasket (fuel pump mounting)						1			1
	1GA-9468 Retainer (fuel pump oil seal)						1			1
	1GA-9469 Oil seal (fuel pump)-leather						2			2

+ No Longer Supplied



CHASSIS PARTS CATALOGUE

PART NUMBER	PART NAME	NO. REQ'D	MODEL	YEAR
18 9400-A	Rod (fuel pump push)-6.54" long-use with 18-9350	1	Pass,Comm,Trucks-90 HP (8 cyl)	32
18 9400-B	Rod (fuel pump push)-8.10" long-use with rocker arm type fuel pump	1	Pass,Comm,Trucks-90 HP (8 cyl)	32-33
48 9400-A	Rod (fuel pump push)-8.872" long-use with cast iron valve chamber cover	1 1	Pass-90 HP (8 cyl) Comm,Trucks-90 HP (8 cyl)	32-48 32-47
48 9400-B	Rod (fuel pump push)-7.872" long-use with aluminum valve chamber cover	1 1	Pass-90 & 100 HP (8 cyl) Comm,Trucks-90 & 100 HP (8 cyl)	32-48 32-47
52 9400-A	Rod (fuel pump push)-5.625" long-use with alum.valve chamber cover	1	Pass,Comm,Trucks-60 HP (8 cyl)	37-40
52 9400-B	Rod (fuel pump push)-6.375" long-use with cast iron valve chamber cover	1	Pass,Comm,Trucks-60 HP (8 cyl)	37-40
1GA 9411	Washer (fuel pump oil seal)		Refer to Fuel Pump Chart	
59A 9411	Seal (fuel pump upper body)		Refer to Fuel Pump Chart	
40 9415	Adapter (fuel pump mounting)-use with rocker arm type fuel pump	1	Pass,Comm,Trucks-90 HP (8 cyl)	32-34
48 9415	Adapter (fuel pump mounting)	1 1	Pass-90 & 100 HP (8 cyl) Comm,Trucks-90 & 100 HP (8 cyl)	35-48 35-47
	18-6515 Stud (fuel pump mounting adapter to valve chamber cover)	2 2	Pass-90 & 100 HP (8 cyl) Comm,Trucks-90 & 100 HP (8 cyl)	32-48 32-47
	33798-S8 Nut (fuel pump mounting adapter to valve chamber cover stud)-5/16"-24	2 2	Pass-90 & 100 HP (8 cyl) Comm,Trucks-90 & 100 HP (8 cyl)	32-48 32-47
	351242-S7 Washer (fuel pump mounting adapter to valve chamber cover stud)-21/64"	2 2	Pass-90 & 100 HP (8 cyl) Comm,Trucks-90 & 100 HP (8 cyl)	32-48 32-47
40 9417	Gasket (fuel pump to adapter)		Refer to 9350 Group	
1GA 9417	Gasket (fuel pump to cylinder block)		Refer to 9350 Group	

Manifold

1GA 9424	Manifold (intake)	1	Pass,Comm,122" 3/4 ton Trucks (6 cyl "G" Series)	41-47
5GT 9424	Manifold (intake)-use with 358066-S8 when vacuum hole is not needed	1	Trucks (6 cyl "G" Series)	41-47
7HT 9424	Manifold (intake)-use with 358066-S8 when vacuum hole is not needed	1	Pass,Trucks (6 cyl "H" Series)	47
	358066-S8 Plug (intake manifold)-formerly was 91T-6053-3/8"	1 1	Pass (6 cyl) Comm,Trucks (6 cyl)	41-48 41-47
	88422-S Stud (manifold to cylinder)-3/8"-16 and 3/8"-24 x 1 7/8" long	11	Pass,Comm,Trucks (6 cyl "G" Series)	41-47
	88427-S Stud (manifold to cylinder block)-3/8"-16 and 3/8"-24 x 1 15/16" long	11 11	Pass (6 cyl "H" Series) Trucks (6 cyl "H" Series)	47-48 47
	33814-S Nut (manifold to cylinder)-brass-3/8"-24	11 11	Pass (6 cyl) Comm,Trucks (6 cyl)	41-48 41-47
	18-6397 Dowel (intake manifold to cylinder block)	2 2	Pass (6 cyl "H" Series) Trucks (6 cyl "H" Series)	47-48 47
	5GA-9427 Bolt (intake to exhaust manifold)	2	Pass,Comm,Trucks (6 cyl "G" Series)	41-47
	88507-S Stud (intake to exhaust manifold)-3/8"-16 and 3/8"-24 x 2 15/16" long	2	Pass,Comm,Trucks (6 cyl "G" Series)	41-47
	88517-S Stud (intake to exhaust manifold)-3/8"-16 and 3/8"-24 x 3 1/16"	4 4	Pass (6 cyl "H" Series) Trucks (6 cyl "H" Series)	47-48 47
	33814-S Nut (intake to exhaust manifold stud)-brass-3/8"-24	4 4	Pass (6 cyl) Comm,Trucks (6 cyl)	41-48 41-47



CHASSIS PARTS CATALOGUE

PART NUMBER	PART NAME	NO. REQ'D	MODEL	YEAR
B 9425-B	Manifold (intake)	1	Pass,Comm,Trucks (4 cyl)	28-34
	353052-S5 Plug (intake manifold vacuum hole)-1/8"	1	Pass,Comm,Trucks (4 cyl)	28-34
9N 9425	Manifold (intake & exhaust)	1	Comm,Trucks-40 HP (4 cyl)	41-42
2NC 9425	Manifold (intake & exhaust)-replaced by 9N-9425	1	Comm,Trucks-40 HP (4 cyl)	42
	88413-S Stud (intake & exhaust manifold to cylinder block)-7/16"-20 and 7/16"-14 x 1 3/4"	4	Comm,Trucks-40 HP (4 cyl)	41-42
	33816-S Nut (intake & exhaust manifold studs)-7/16"-20 -brass	4	Comm,Trucks-40 HP (4 cyl)	41-42
	351436-S7 Washer-lock (manifold stud)-7/16"	4	Comm,Trucks-40 HP (4 cyl)	41-42
1GA 9426	Manifold & thermostat assy (exhaust)	1	Pass,Comm,Trucks (6 cyl "G" Series)	41-47
7HA 9426	Manifold & thermostat assy (exhaust)	1	Pass (6 cyl "H" Series)	47-48
		1	Comm,Trucks (6 cyl "H" Series)	47
	88398-S Stud (muffler inlet pipe to exhaust manifold)-7/16"-14 and 7/16"-20 x 1 9/16" long	2	Pass (6 cyl)	41-48
		2	Comm,Trucks (6 cyl)	41-47
	33816-S Nut-brass-7/16"-20			
5GA 9427	Bolt (intake to exhaust manifold)-replaced by 88517-S	2	Pass,Comm,Trucks (6 cyl "G" Series)-refer to 7HT-9424	41-47
B 9430	Manifold (exhaust)	1	Pass,Comm (4 cyl)	32
18 9430	Manifold (exhaust)-RH	1	Pass,Comm,Trucks-90 HP (8 cyl)	32-36
46 9430	Manifold (exhaust)	1	Pass,Comm,Trucks (4 cyl)	28-31
46 9430	Manifold (exhaust)	1	(Pass,Comm,Trucks 1933-34)(Trucks 1932)-4 cyl	32-34
	88448-S Stud (intake & exhaust manifold to cylinder block)-7/16"-14 and 7/16"-20 x 2 3/16"	4	Pass,Comm,Trucks (4 cyl)	28-34
	351025-S7 Nut (intake & exhaust manifold to cylinder block stud)-7/16"-20	4	Pass,Comm,Trucks (4 cyl)	28-34
52 9430	Manifold (exhaust)	2	Pass,Comm,Trucks-60 HP (8 cyl)	37-40
	82A-9685 Thermostat (exhaust manifold)-special equipment	1	Pass,Comm,Trucks-60 HP (8 cyl)	37-40
	352675-S Stud (exhaust manifold to cyl. block)-5/16"-18 and 5/16"-18 x 1.35"	12	Pass,Comm,Trucks-60 HP (8 cyl)	37-40
	34806-S2 Lockwasher (exhaust manifold to cyl. block stud)-5/16"	12	Pass,Comm,Trucks-60 HP (8 cyl)	37-40
	350980-S Nut (exhaust manifold to cyl. block stud)-brass-5/16"-18	12	Pass,Comm,Trucks-60 HP (8 cyl)	37-40
	52-9454 Stud (muffler pipe to exhaust manifold)-3/8"-16	4	Pass,Comm,Trucks-60 HP (8 cyl)	37-40
	33827-S8 Nut-brass-3/8"-16			
78 9430	Manifold (exhaust)-RH	1	Pass,Comm,Trucks-90 & 100 HP (8 cyl)	37-41
	81A-9685 Thermostat (exhaust manifold)-special equipment	1	Pass,Comm,Trucks-90 & 100 HP (8 cyl)	38-41
21A 9430	Manifold (exhaust)-RH-LHD	1	Pass-90 & 100 HP (8 cyl)	42-48
		1	Comm,Trucks-90 & 100 HP (8 cyl)	42-47
	59A-9685-B Valve assy (exhaust thermostat control)-has V-shaped counter-weight	1	Pass,Comm,Trucks-100 HP (8 cyl)	46-47
18 9431	Manifold (exhaust)-LH-replaced by 40-9431	1	Pass,Comm,Trucks-90 HP (8 cyl)	32
40 9431	Manifold (exhaust)-LH	1	Pass,Comm,Trucks-90 HP (8 cyl)	33-36
78 9431	Manifold (exhaust)-LH	1	Pass,Comm,Trucks-90 & 100 HP (8 cyl)	37-41



CHASSIS PARTS CATALOGUE

PART NUMBER	PART NAME	NO. REQ'D	MODEL	YEAR
				19__
21A 9431	Manifold (exhaust)-IH-IHD	1	Pass,Comm,Trucks-90 & 100 HP (8 cyl)	42-47
	350611-S7 Bolt (exhaust manifold to cyl. block)-front-7/16"-20 x 2 1/4"	4	Pass,Comm,Trucks-90 HP (8 cyl)	32
	24428-S8 Bolt (exhaust manifold to cyl. block)-center & rear-3/8"-16 x 1 1/4"	8	Pass-90 & 100 HP (8 cyl)	32-48
		8	Comm,Trucks-90 & 100 HP (8 cyl)	32-47
	21551-S Bolt (exhaust manifold to cyl. block)-front 7/16"-14 x 2 3/4"	4	Pass,Comm,Trucks-90 HP (8 cyl)	33-36
	20420-S7 Bolt (exhaust manifold to cyl. block)-front-7/16"-14 x 1 3/16"	4	Pass-90 & 100 HP (8 cyl)	37-48
		4	Comm,Trucks-90 & 100 HP (8 cyl)	37-47
	34847-S8 Lockwasher (exhaust manifold to cyl. block stud)-3/8"	8	Pass-90 & 100 HP (8 cyl)	32-48
		8	Comm,Trucks-90 & 100 HP (8 cyl)	32-47
	34808-S8 Lockwasher (exhaust manifold bolt)-7/16"	4	Pass-90 & 100 HP (8 cyl)	32-48
		4	Comm,Trucks-90 & 100 HP (8 cyl)	32-47
	350611-S Bolt (muffler pipe to exhaust manifold)-7/16"-20 x 2 1/4"	4	Pass,Comm,Trucks (8 cyl)	32
	21551-S Bolt (muffler pipe to exhaust manifold)-7/16"-14 x 2 3/4"	4	Pass,Comm,Trucks (8 cyl)	33-36
	88393-S Stud (muffler pipe to exhaust manifold)-7/16"-14 and 7/16"-20 x 1 1/2"	4	Pass-90 & 100 HP (8 cyl)	37-48
		4	Comm,Trucks 90 & 100 HP (8 cyl)	37-47
	33816-S Nut-brass-7/16"-20			
	34808-S8 Lockwasher-7/16"			
B 9433	Gasket set (intake & exhaust manifold)-formerly was B-18511-consists of 2-B-9448	1	Pass,Comm,Trucks (4 cyl)	28-34
18 9433	Gasket set (exhaust manifold)-formerly was 18-18511 consists of 9-18-9448-A Gaskets	1	Pass-90 & 100 HP (8 cyl)	32-48
		1	Comm,Trucks-90 & 100 HP (8 cyl)	32-47
52 9433	Gasket set (exhaust manifold)-formerly was 52-18511- Consists of the following 2- 52 9450-A Gasket 6- 52 9448-A Gasket	1	Pass,Comm,Trucks-60 HP (8 cyl)	37-40
1GA 9433	Gasket set (intake & exhaust manifold)-consists of the following 1-1GA 9441 Gasket-rear 1-1GA 9442 Gasket-front 1-1GA 9448 Gasket-center	1	Pass (6 cyl)	41-48
		1	Trucks (6 cyl)	41-47
1GA 9435-C	Gasket (intake to exhaust manifold)	1	Pass-90 HP (6 cyl)	41-48
		1	Comm,Trucks-90 HP (6 cyl)	41-47
1GA 9437	Baffle (carburetor air)-on manifold	1	Pass,Comm,Trucks (6 cyl "G" Series)	41-47
	20368-S7 Bolt (carburetor baffle to manifold)-3/8"-16 x 7/8"	1	Trucks (6 cyl "G" Series)	42-47
7HA 9437	Baffle (manifold air)-replaced by 8HA-9437	1	Pass (6 cyl "H" Series)	47-48
		1	Comm,Trucks (6 cyl "H" Series)	47
	20326-S7 Bolt (carburetor air baffle)-5/16"-18 x 5/8"	1	Pass (6 cyl "H" Series)	47-48
		1	Trucks (6 cyl "H" Series)	47
	34846-S2 Lockwasher-5/16"			
†B 9440	Ring (intake & exhaust manifold to cyl. block)	4	Pass,Comm,Trucks (4 cyl)	28-34

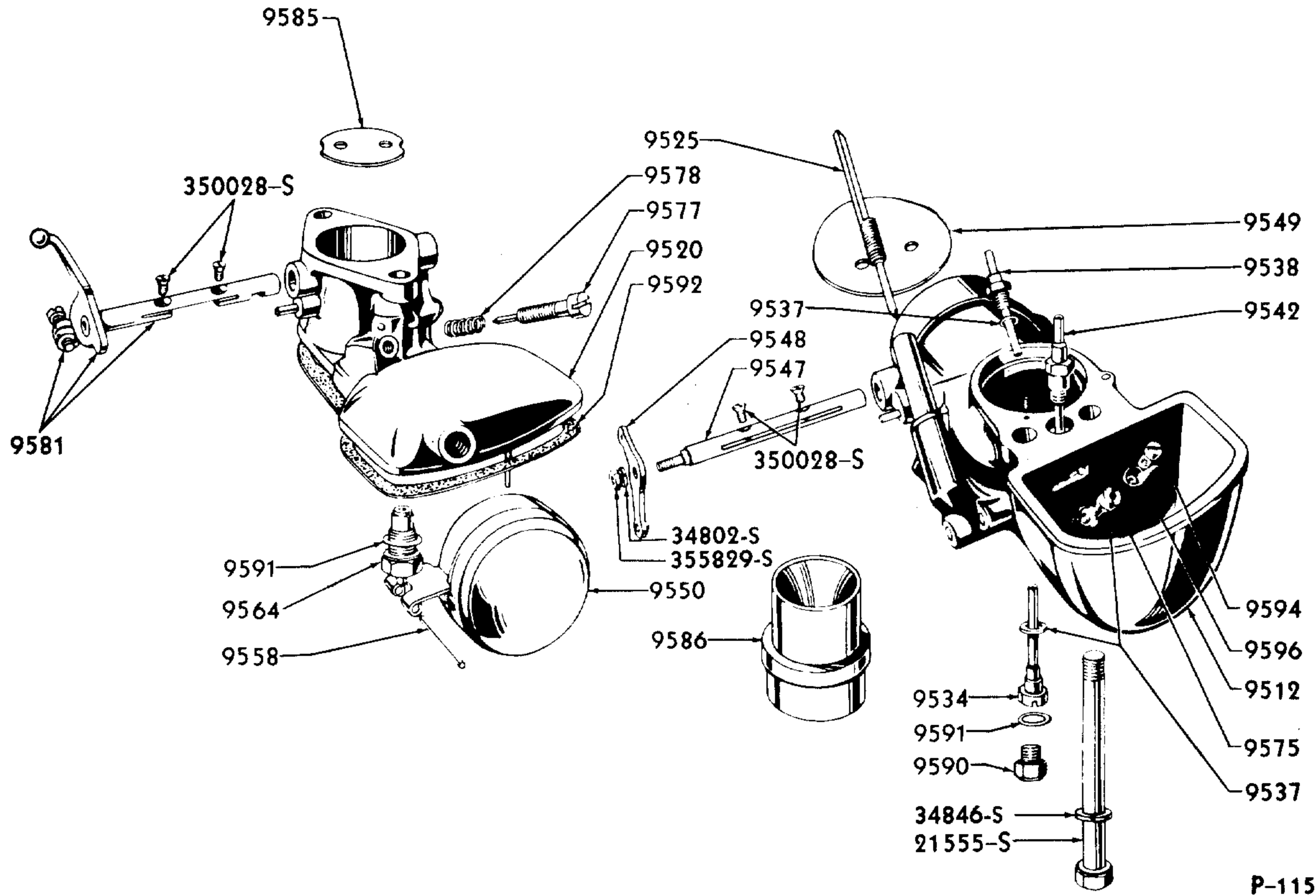
† No Longer Supplied



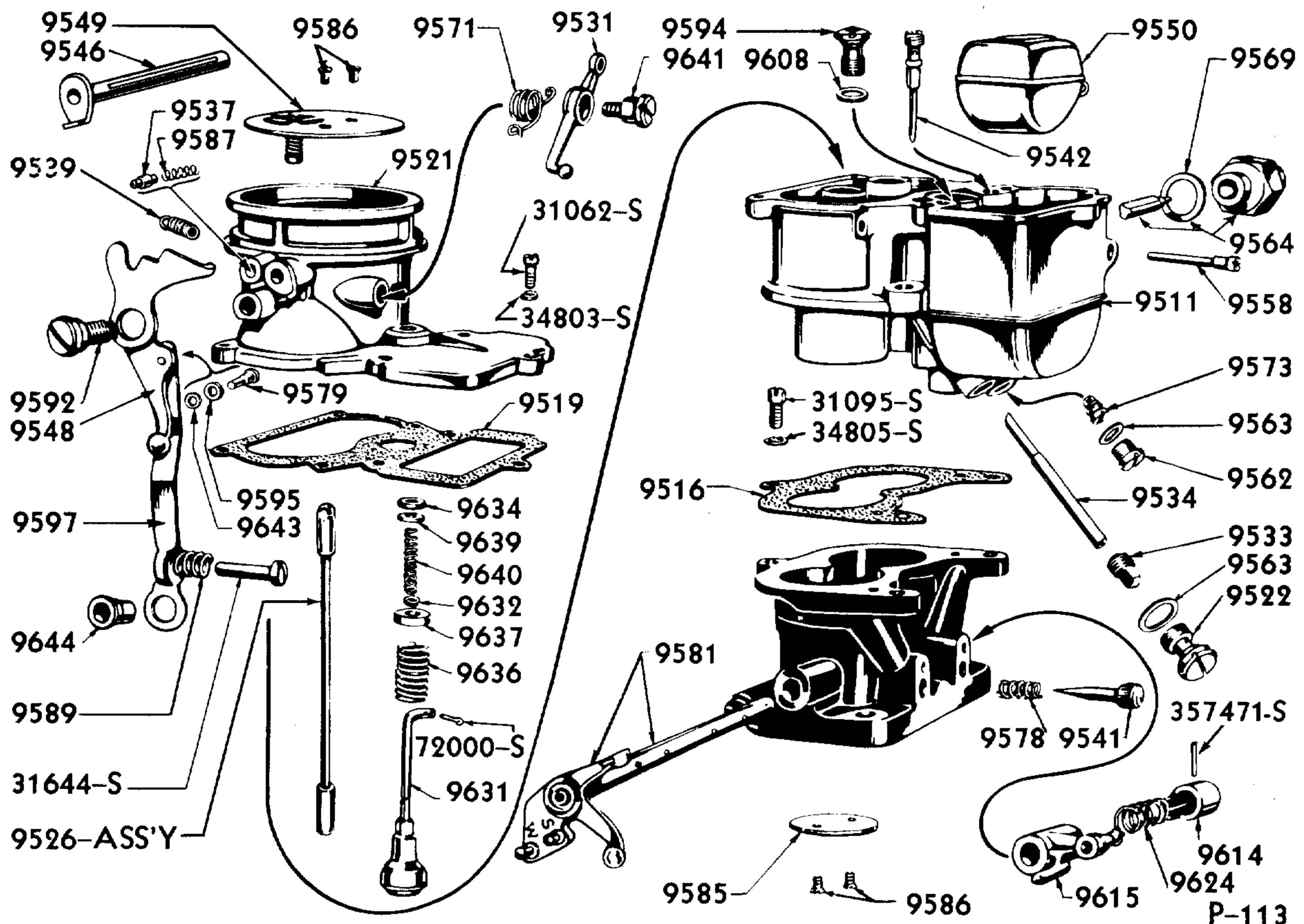
CHASSIS PARTS CATALOGUE

PART NUMBER	PART NAME	NO. REQ'D	MODEL	YEAR
				19__
1GA 9441	Gasket (manifold to cylinder block)-rear-replaced by 1GA-9433 kit	1	Pass (6 cyl)	41-48
		1	Comm, Trucks (6 cyl)	41-47
1GA 9442	Gasket (manifold to cylinder block)-front-replaced by 1GA-9433 kit	1	Pass (6 cyl)	41-48
		1	Comm, Trucks (6 cyl)	41-47
B 9443	Clamp (intake & exhaust manifold)	4	Pass, Comm, Trucks (4 cyl)	28-34
1GA 9443	Clamp (intake & exhaust manifold to cylinder block)	11	Pass (6 cyl)	41-48
		11	Comm, Trucks (6 cyl)	41-47
B 9447	Gasket (carburetor to intake manifold)	1	Pass, Comm, Trucks (4 cyl)	28-34
+18 9447	Gasket (carb. to valve chamber cover)-for single chamber carburetor	1	Pass, Comm, Trucks-90 HP (8 cyl)	32-33
40 9447-A	Gasket (carburetor to valve chamber cover)	1	Pass (8 cyl)	34-48
		1	Comm, Trucks (8 cyl)	34-47
40 9447-B	Gasket (carburetor to valve chamber cover)-steel asbestos-replaced by 40-9447-A	1	Pass (8 cyl)	34-48
		1	Comm, Trucks (8 cyl)	34-47
+9N 9447	Gasket (carburetor to manifold)	1	Comm, Trucks (4 cyl)	41-42
1GA 9447	Gasket (carburetor to intake manifold)-steel asbestos	1	Pass, Comm, Trucks-90 HP (6 cyl "G" Series)	41-47
7HA 9447	Gasket (carburetor to intake manifold)-6 layers	1	Pass-90 HP (6 cyl "H" Series)	47-48
		1	Comm, Trucks-90 HP (6 cyl "H" Series)	47
B 9448-A	Gasket (intake & exhaust manifold)		Refer to 9433 Group	
18 9448-A	Gasket (exhaust manifold)-replaced by 18-9433		Refer to 9433 Group	
52 9448-A	Gasket (exhaust manifold)-replaced by 52-9433	6	Pass, Comm, Trucks-60 HP (8 cyl)	37-40
+9N 9448	Gasket (intake & exhaust manifold)	2	Comm, Trucks-40 HP (4 cyl)	41-42
1GA 9448	Gasket (manifold to cylinder block)-center-replaced by 1GA-9433 kit	1	Pass-90 HP (6 cyl)	41-48
		1	Comm, Trucks-90 HP (6 cyl)	41-47
1GA 9449	Spring (exhaust thermostat control valve)	1	Pass-90 HP (6 cyl)	41-48
		1	Comm, Trucks-90 HP (6 cyl)	41-47
52 9450-A	Gasket (muffler inlet pipe to exhaust manifold)	2	Pass, Comm, Trucks-60 HP (8 cyl)	37-40
1GA 9450	Gasket (exhaust manifold outlet)	1	Pass-90 HP (6 cyl)	41-48
		1	Comm, Trucks-90 HP (6 cyl)	41-47
52 9454	Stud (muffler inlet pipe to exhaust manifold)-3/8"-16		Refer to 9430 Group	
1GA 9456-C	Shaft (exhaust thermostat control valve)	1	Pass-90 HP (6 cyl)	41-48
		1	Comm, Trucks-90 HP (6 cyl)	41-47
1GA 9458-B	Counterweight (exhaust thermostat control valve)	1	Pass-90 HP (6 cyl)	41-48
		1	Comm, Trucks-90 HP (6 cyl)	41-47
26498-S7	Screw (exhaust thermostat control valve counterweight)-No. 12-24 x 5/8"	1	Pass (6 cyl "H" Series)	47-48
		1	Trucks (6 cyl "H" Series)	47
1GA 9460-B	Valve (exhaust thermostat control)	1	Pass-90 HP (6 cyl)	41-48
		1	Comm, Trucks-90 HP (6 cyl)	41-47
1GA 9462	Bushing (exhaust thermostat control valve)	2	Pass-90 HP (6 cyl)	41-48
		2	Comm, Trucks-90 HP (6 cyl)	41-47
1GA 9463-B	Pin (exhaust thermostat control valve coil spring)	1	Pass-90 HP (6 cyl)	41-48
		1	Comm, Trucks-90 HP (6 cyl)	41-47
1GA 9465-B	Lock (exhaust thermostat control valve counterweight)	1	Pass-90 HP (6 cyl)	41-48
		1	Comm, Trucks-90 HP (6 cyl)	41-47
1GA 9467	Spring (exhaust thermostat control valve coil)	1	Pass-90 HP (6 cyl)	41-48
		1	Comm, Trucks-90 HP (6 cyl)	41-47
1GA 9468	Retainer (fuel pump oil seal)		Refer to 9350 Fuel Pump Chart	
1GA 9469	Oil seal (fuel pump)-leather		Refer to 9350 Fuel Pump Chart	
18 9485	Adapter (carburetor to valve chamber cover)-use with dual downdraft carburetor on single opening valve chamber cover	1	Pass, Comm, Trucks-90 HP (8 cyl)	32-33
21A 9488	Gasket (carburetor to governor)	1	Pass-60, 90 & 100 HP (8 cyl)	34-48
		1	Comm, Trucks-60, 90 & 100 HP (8 cyl)	34-47

† No Longer Supplied

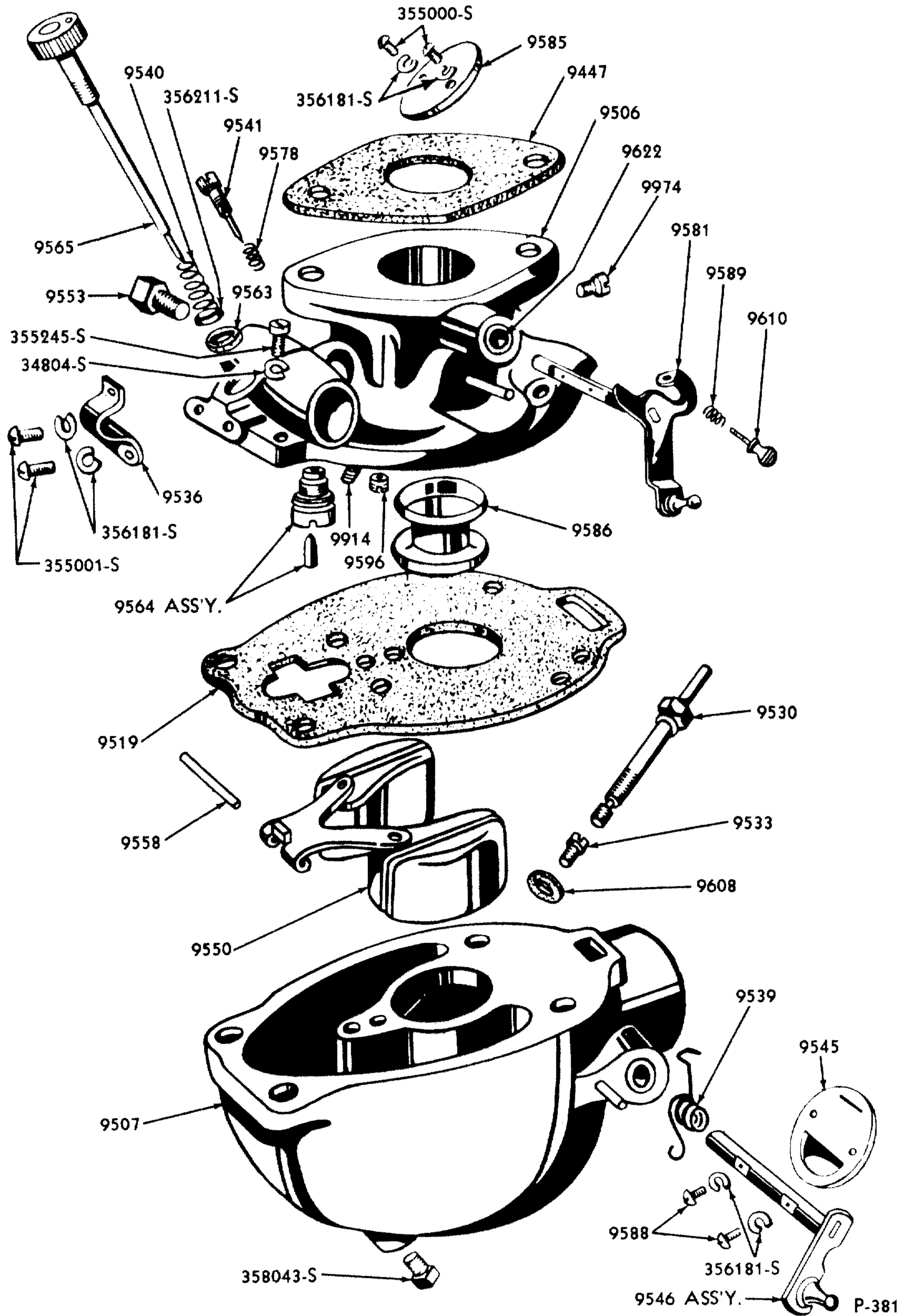


1928-34 4 CYL. CARBURETOR



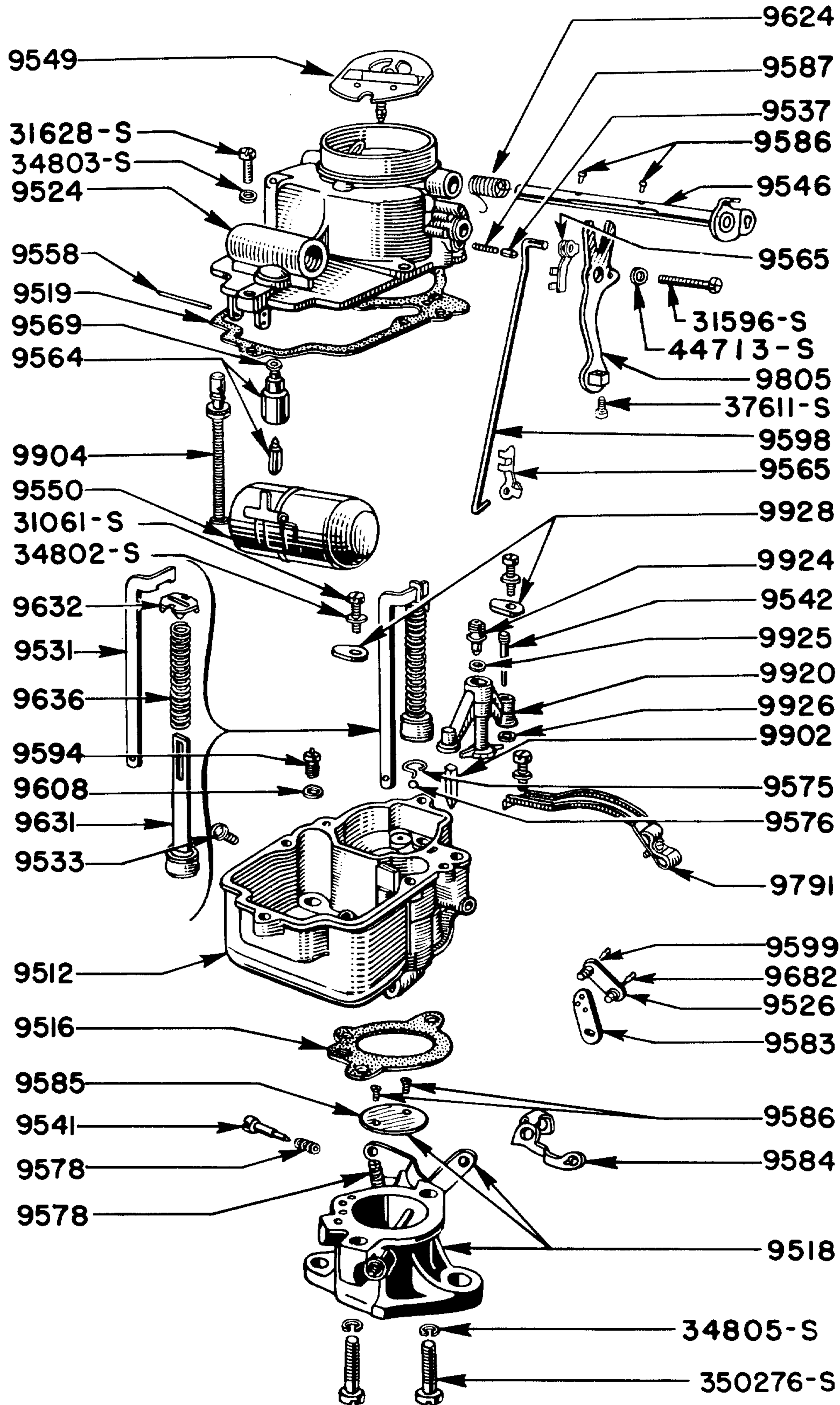
1934-38 8 CYL. CARBURETOR (67-9510-A)

Basic numbers only shown on illustration. Order by Part Numbers shown in list of parts.



1941-42 4 CYL. CARBURETOR

Basic numbers only shown on illustration. Order by Part Numbers shown in list of parts.



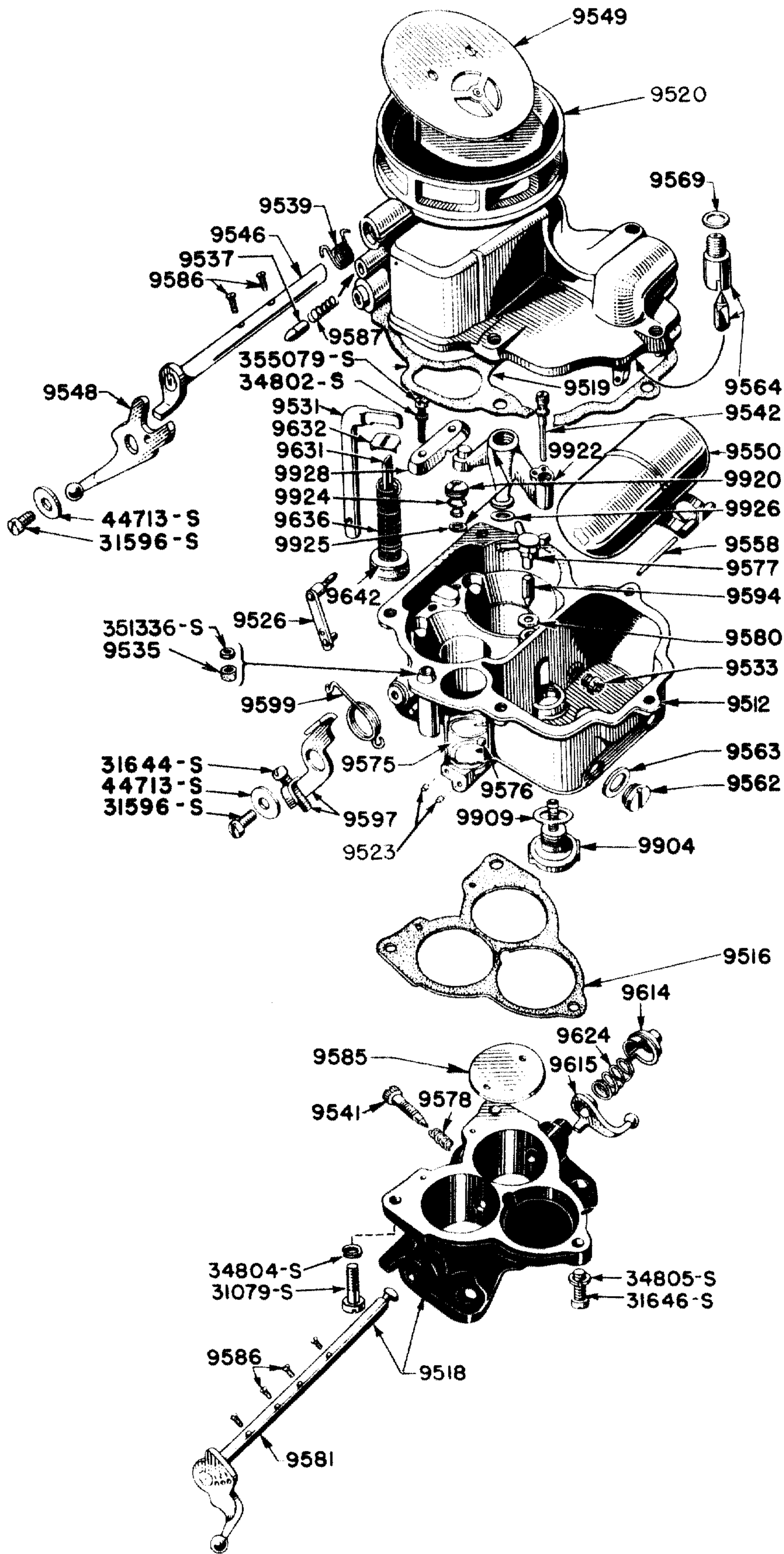
P-633

1947-48 6 CYL. "H" SERIES CARBURETOR

Basic numbers only shown on illustration. Order by Part Numbers shown in list of parts.



CHASSIS PARTS CATALOGUE



P-383

1932-48 90 & 100 H.P. 8 CYL. CARBURETOR (59A-9510-A)

Basic numbers only shown on illustration. Order by Part Numbers shown in list of parts.



CHASSIS PARTS CATALOGUE

PART NUMBER	PART NAME	NO. REQ'D	MODEL	YEAR 19
Carburetor				
52 9502	Gasket set (carburetor)-use with 52-9510-B-consists of the following 1- 52 9516 Gasket 1- 40 9569 Gasket 1- 48 9519 Gasket 2- 40 9608 Gasket 3- 40 9563 Gasket 1- 40 9634 Gasket	1	Pass,Comm,Trucks-60 HP (8 cyl)	37-39
67 9502	Gasket set (carburetor)-use with 40-9510-D, 48-9510-D, & 67-9510-A-consists of the following 1- 40 9516 Gasket 1- 40 9569 Gasket 1- 48 9519 Gasket 2- 40 9608 Gasket 3- 40 9563 Gasket 1- 40 9634 Gasket	1	Pass,Comm,Trucks-90 HP (8 cyl)	34-38
9N 9502	Gasket set (carburetor)-use with ONY-9510-consists of the following 1- 9N 9447 Gasket (carb. to manifold) 1- 9N 9519 Gasket (throttle body) 1- 9N 9563 Gasket (main adj. needle) 1- 9N 9569 Gasket (float valve seat) 1- 9N 9608 Gasket (main nozzle)	1	Comm,Trucks 40 HP (4 cyl)	41-42
1GA 9502	Gasket set (carburetor)-use with 1GA-9510-A & 5GA-9510-A-consists of the following 1-1GA 9516 Gasket 1- 40 9608 Gasket 1-1GA 9519 Gasket 1- 78 9925-A Gasket 1- 78 9569 Gasket 2- 78 9926 Gasket	1	Pass,Comm,Trucks (6 cyl "G" Series)	41-47
7HA 9502	Gasket set (carburetor)-use with 8HA-9509-A, 7HA-9510-A and 7HT-9510-A-consists of the following 1-7HA 9516 Gasket (throttle body) 1- 78 9569 Gasket (float needle) 1- 40 9608 Gasket (power jet) 2- 78 9926 Gasket (nozzle bar) 1-1GA 9519-B Gasket (main body)	1 1	Pass (6 cyl "H" Series) Comm,Trucks (6 cyl "H" Series)	47-48 47
21A 9502	Gasket set (carburetor)-use with 78-9510-A, 91A-9510-A, 922A-9510-A, 21A-9510-A, 59A-9510-A-consists of the following 1- 78A 9516 Gasket 1- 78 9580 Gasket 1- 922A 9516 Gasket 1- 78 9909 Gasket 1- 78 9519 Gasket 2- 78 9925-A Gasket 2- 78 9563 Gasket 4- 78 9926 Gasket 1- 78 9569 Gasket	1 1 1	Pass-90 & 100 HP (8 cyl) Pass,Comm,Trucks-60 HP (8 cyl) Comm,Trucks-90 & 100 HP (8 cyl)	38-48 39-40 38-47
9N 9506	Body assy (carburetor throttle)		Refer to 9510 Carburetor Chart	
9N 9507	Body & plugs assy (carburetor lower)		Refer to 9510 Carburetor Chart	
8HA 9509-A	Carburetor assy-less choke lever	1	Pass (6 cyl "H" Series)	47-48
A 9510-C	Carburetor assy-replaced by B-9510-A	1	Pass,Comm,Trucks (4 cyl)	28-31
B 9510-A	Carburetor assy	1	Pass,Comm,Trucks (4 cyl)	32-34
	24346-S7 Bolt (carburetor to intake manifold)-5/16"-18 x 3/4"	2	Pass,Comm,Trucks (4 cyl)	28-34
	34846-S2 Lockwasher (carburetor to intake manifold bolt)-5/16"	2	Pass,Comm,Trucks (4 cyl)	28-34
18 9510	Carburetor assy-single downdraft-replaced by 59A-9510-A,18-9485,18-9447 & 40-9447-B	1	Pass,Comm,Trucks-90 HP (8 cyl)	32



CHASSIS PARTS CATALOGUE

CARBURETOR REPLACEMENT CHART

PART NUMBER	REPLACED BY	ENGINE		PASS. 19____	COMM. OR LIGHT TRUCK 19____	TRUCK		
		NO. CYL.	H. P.			122' ¼ TON 19____	122' TON 19____	1½ TON 19____
§8HA 9509-A		6	90	47-48	47	47	47	47
A 9510-C	B 9510-A	4		28-31	28-31			28-31
B 9510-A		4		32-34	32-34			32-34
Δ18 9510	59A 9510-A	8	90	32	32			32
Δ40 9510-A	59A 9510-A	8	90	33	33			33
40 9510-D	59A 9510-A	8	90	34	34			34
48 9510-D	59A 9510-A	8	90	35	35			35
67 9510-A	59A 9510-A	8	90	36-38	36-38			36-38
78 9510-A	59A 9510-A	8	90	38	38		38	38
52 9510-B	922A 9510-A	8	60	37-38	37-38		38	37-38
91A 9510-A	59A 9510-A	8	90	39-41	39-41	39-41	39-41	39-41
		8	100	39-41	39-41	39-41	39-41	39-41
922A 9510-A		8	60	39-40	39-40	39-40	39-40	39-40
ONY 9510		4	40		41-42	41-42	41-42	41-42
◇1GA 9510-A	5GA 9510-A	6	90	41-42	41-42	41-42	41-42	41-42
21A 9510-A	59A 9510-A	8	90	42	42	42	42	42
		8	100	42-45	42-45	42-45	42-45	42-45
59A 9510-A		8	100	46-48	46-47	46-47	46-47	46-47
◇5GA 9510-A		6	90	46-47	46-47	46-47	46-47	46-47
§7HA 9510-A	8HA 9509-A	6	90	47-48				
§7HT 9510-A		6	90		47	47	47	47

PART NUMBER	PART NAME	NO. REQ'D	MODEL	YEAR 19____
40 9510-A	Carburetor assy-single downdraft-replaced by 59A-9510-A, 18-9485, 18-9447 & 40-9447-B	1	Pass, Comm, Trucks-90 HP (8 cyl)	33
	88022-S Stud (carburetor to valve chamber cover)-3/8"-16 and 3/8"-24 x 1 1/4"	2	Pass, Comm, Trucks-90 HP (8 cyl)	32-33
	33800-S8 Nut (carburetor to valve chamber cover stud)-use with 88022-S-3/8"-24	2	Pass, Comm, Trucks-90 HP (8 cyl)	32-33
	34847-S8 Lockwasher (carburetor to valve chamber cover stud)-3/8"	2	Pass, Comm, Trucks-90 HP (8 cyl)	32-33
40 9510-D	Carburetor assy-dual downdraft-replaced by 59A-9510-A	1	Pass, Comm, Trucks-90 HP (8 cyl)	34
48 9510-D	Carburetor assy-dual downdraft-replaced by 59A-9510-A	1	Pass, Comm, Trucks-90 HP (8 cyl)	35
52 9510-B	Carburetor assy-dual downdraft-marked "81" on main body-replaced by 922A-9510-A	1	Pass, Comm, Trucks-60 HP (8 cyl)	37-38
67 9510-A	Carburetor assy-dual downdraft-stromberg-marked "97" on main body-replaced by 59A-9510-A	1	Pass, Comm, Trucks-90 HP (8 cyl)	36-38
78 9510-A	Carburetor assy-dual downdraft-Chandler-Grove-replaced by 59A-9510-A	1	Pass, Comm, Trucks-90 HP (8 cyl)	38
91A 9510-A	Carburetor assy-dual downdraft-marked "91-99" on main body-replaced by 59A-9510-A	1	Pass, Comm, Trucks-90 & 100 HP (8 cyl)	39-41

§ 6 Cylinder "H" Series ◇ 6 Cylinder "G" Series
 Δ Also necessary to use 1-18 9485 Adapter, 1-18 9447 Gasket and 1-40 9447-A



CHASSIS PARTS CATALOGUE

PART NUMBER	PART NAME	NO. REQ'D	MODEL	YEAR 19__
922A 9510-A	Carburetor assy-dual downdraft-marked "92" on main body	1	Pass,Comm,Trucks-60 HP (8 cyl)	37-40
	88371-S Stud (carburetor to valve chamber cover)-use without governor-5/16"-18 and 5/16"-24 x 1 1/4"	3	Pass,Comm,Trucks-60,90 & 100 HP (8 cyl)	34-41
	357681-S Stud (carburetor to valve chamber cover)-use with governor-5/16"-18 and 5/16"-24 x 3 11/16"	3	Pass,Comm,Trucks-60,90 & 100 HP (8 cyl)	34-41
	33798-S8 Nut (carburetor to valve chamber cover stud)-5/16"-24	3	Pass,Comm,Trucks-60,90 & 100 HP (8 cyl)	34-41
	34846-S2 Lockwasher (carburetor to valve chamber cover stud)-5/16"	3	Pass,Comm,Trucks-60,90 & 100 HP (8 cyl)	34-41
ONY 9510	Carburetor assy	1	Comm,Trucks (4 cyl)	41-42
	24346-S7 Bolt (carburetor to intake manifold)-5/16"-18 x 3/4"	2	Comm,Trucks-40 HP (4 cyl)	41-42
	34846-S2 Lockwasher (carburetor to intake manifold bolt)-5/16"	2	Comm,Trucks-40 HP (4 cyl)	41-42
IGA 9510-A	Carburetor assy-replaced by 5GA-9510-A	1	Pass,Comm,Trucks-90 HP (6 cyl)	41-42
	357692-S Stud (carburetor to intake manifold)-3/8"-24 and 3/8"-16 x 1 1/2"	2	Pass,Comm,Trucks-90 HP (6 cyl)	41-42
	33800-S8 Nut (carburetor to intake manifold)-3/8"-24	2	Pass,Comm,Trucks-90 HP (6 cyl)	41-42
	34847-S8 Lockwasher (carburetor to intake manifold)-3/8"	2	Pass,Comm,Trucks-90 HP (6 cyl)	41-42
	33925-S7 Nut (carburetor to intake manifold locking)-3/8"-24	2	Pass,Comm,Trucks-90 HP (6 cyl)	41-42
21A 9510-A	Carburetor assy-dual downdraft-marked "21-29" on main body-replaced by 59A-9510-A	1	Pass,Comm,Trucks-90 & 100 HP (8 cyl)	42-46
59A 9510-A	Carburetor assy-dual downdraft-marked "59" on main body	1	Pass-90 & 100 HP (8 cyl)	32-48
		1	Comm,Trucks-90 & 100 HP (8 cyl)	32-47
	88371-S Stud (carburetor to valve chamber cover)-not used with governor-5/16"-18 and 5/16"-24 x 1 1/4"	3	Pass-60,90 & 100 HP (8 cyl)	42-48
		3	Comm,Trucks-60,90 & 100 HP (8 cyl)	42-47
	357681-S Stud (carburetor to valve chamber cover)-use with governor-5/16"-18 and 5/16"-24 x 3 11/16"	3	Pass-90 & 100 HP (8 cyl)	42-48
		3	Comm,Trucks-90 & 100 HP (8 cyl)	42-47
	33798-S8 Nut (carburetor to valve chamber cover stud)-5/16"-24	3	Pass-90 & 100 HP (8 cyl)	42-48
		3	Comm,Trucks-90 & 100 HP (8 cyl)	42-47
	34846-S2 Lockwasher (carburetor to valve chamber cover stud)-5/16"	3	Pass-90 & 100 HP (8 cyl)	42-48
		3	Comm,Trucks-90 & 100 HP (8 cyl)	42-47



CHASSIS PARTS CATALOGUE

PART NUMBER	PART NAME	NO. REQ'D	MODEL	YEAR
				19__
5GA 9510-A	Carburetor assy	1	Pass,Comm,Trucks-6 cyl "G" Series	46-47
	357692-S Stud (carburetor to intake manifold)-3/8"-24 and 3/8"-16 x 1 1/2"	2	Pass,Comm,Trucks-6 cyl "G" Series	46-47
	33800-S8 Nut (carburetor to intake manifold stud)-3/8"-24	2	Pass,Comm,Trucks-6 cyl "G" Series	46-47
	34847-S8 Lockwasher (carburetor to intake manifold nut)-3/8"	2	Pass,Comm,Trucks-6 cyl "G" Series	46-47
	2GA-9610 Nut (carburetor to intake manifold locking)-replaced by 33911-S2 and 34827-S2	2	Pass,Comm,Trucks-6 cyl "G" Series	46-47
7HA 9510-A	Carburetor assy-marked "7HA" on main body-replaced by 8HA-9509-A	1	Pass-90 HP-6 cyl "H" Series	47-48
7HT 9510-A	Carburetor assy-marked "7HT" on main body	1	Comm,Trucks-90 HP-6 cyl "H" Series	47
	357692-S Stud (carburetor to intake manifold)-3/8"-24-16 x 1 1/2"	2	Pass-6 cyl "H" Series	47-48
		2	Trucks-6 cyl "H" Series	47
	33800-S8 Nut (carburetor to intake manifold)-3/8"-24	2	Pass-6 cyl "H" Series	47-48
		2	Trucks-6 cyl "H" Series	47
	34847-S8 Lockwasher (carburetor to intake manifold stud)-3/8"	2	Pass-6 cyl "H" Series	47-48
		2	Trucks-6 cyl "H" Series	47
	67-9590 Repair kit (carburetor)-use with 67-9510-A-consists of the following	1	Pass,Comm,Trucks 90 HP (8 cyl)	36-37
	1- 40 9447-A Gasket 4- 40 9586 Screw			
	1- 40 9516 Gasket 1- 67 9594 Set			
	1- 48 9519 Gasket 1- 40 9608 Gasket			
	2- 67 9533-A .045 Jet 1- 40 9631 Piston			
	2- 40 9541 Needle 1- 67 9632 Retainer			
	2- 40 9542 Jet 1- 40 9634 Gasket			
	3- 40 9563 Gasket 1- 40 9636 Spring			
	1- 40 9564 Needle 1- 67 9637 Seat			
	1- 40 9571 Spring 1- 40 9639 Washer			
	1- 40 9573 Valve 1- 40 9640 Spring			
	81A-9590-A Repair kit (carburetor)-use with 78-9510-A,91A-9510-A,21A-9510-A-normal to 5000 ft. altitudes-consists of the following	1	Pass,Comm,Trucks-90 & 100 HP (8 cyl)	38-46
	1- 40 9447-A Gasket 1- 78 9580 Gasket			
	1- 7RA 9516 Gasket 1- 78 9631 Piston			
	1- 78 9519 Gasket 1- 78 9636 Spring			
	2- 78 9541 Needle 1- 78 9904 Valve			
	2- 78 9542 Jet 1- 78 9909 Gasket			
	1- 78 9548 Lever 2- 78 9925-A Gasket			
	2- 78 9563 Gasket 4- 78 9926 Gasket			
	1- 7HA 9564 Needle 2- 78 9533-A Jet			
	81A-9590-B Repair kit (carburetor)-use with 78-9510-B, 91A-9510-B, 21A-9510-B-5000 to 10,000 ft. altitudes-consists of the following	1	Pass,Comm,Trucks-90 & 100 HP (8 cyl)	38-46
	1- 40 9447-A Gasket 1- 78 9580 Gasket			
	1-7RA 9516 Gasket 1- 78 9631 Piston			
	1- 78 9519 Gasket 1- 78 9636 Spring			
	2- 78 9541 Needle 1- 78 9904 Valve			
	2- 78 9542 Jet 1- 78 9909 Gasket			
	1- 78 9548 Lever 2- 78 9925-A Gasket			
	2- 78 9563 Gasket 4- 78 9926 Gasket			
	1-7HA 9564 Needle 2- 78 9533-B Jet. 048"			



CHASSIS PARTS CATALOGUE

PART NUMBER	PART NAME	NO. REQ'D	MODEL	YEAR 19__
59A-9590-A	Repair kit (carburetor)-use with 59A-9510-A-normal to 5000 ft. altitudes-consists of the following	1 1	Pass-90 & 100 HP (8 cyl) Comm,Trucks-90 & 100 HP (8 cyl)	46-48 46-47
1- 40 9447-A	Gasket 1-7HA 9564 Needle			
1-7RA 9516	Gasket 1- 78 9580 Gasket			
1- 78 9519	Gasket 1- 78 9631 Piston			
2-59A 9533-A	Jet .051" 1- 78 9636 Spring			
2- 78 9541	Needle 1- 78 9904 Valve			
2- 78 9542	Jet 1- 78 9909 Gasket			
1- 78 9548	Lever 2- 78 9925-A Gasket			
2- 78 9563	Gasket 4- 78 9926 Gasket			
59A-9590-B	Repair kit (carburetor)-use with 59A-9510-B-5000 to 10,000 ft. altitudes-consists of the following	1 1	Pass-90 & 100 HP (8 cyl) Comm,Trucks-90 & 100 HP (8 cyl)	46-48 46-47
1- 40 9447-A	Gasket 1-7HA 9564 Needle			
1-7RA 9516	Gasket 1- 78 9580 Gasket			
1- 78 9519	Gasket 1- 78 9631 Piston			
2-59A 9533-B	Jet .049" 1- 78 9636 Spring			
2- 78 9541	Needle 1- 78 9904 Valve			
2- 78 9542	Jet 1- 78 9909 Gasket			
1- 78 9548	Lever 2- 78 9925-A Gasket			
2- 78 9563	Gasket 4- 78 9926 Gasket			
5GA-9590	Repair kit (carburetor)-use with 1GA-9510-A and 5GA-9510-A- consists of the following	1	Pass,Comm,Trucks (6 cyl "G" Series)	41-47
1-1GA 9447	Gasket 1- 78 9631 Piston			
1-1GA 9516	Gasket 1-1GA 9904 -B Valve			
1-1GA 9519-B	Gasket 1- 78 9925-A Gasket			
1-1GA 9526	Link 2- 78 9926 Gasket			
1- 78 9541	Needle 1-1GA 9548 Lever			
1-1GA 9542-B	Jet 1- 78 9636 Spring			
1-7HA 9564	Needle 1-1GA 9599 Retainer			
1- 40 9608	Gasket 1-5GA 9533-A Jet .065"			
7HA 9590-A	Repair kit (carburetor)-use with 8HA-9509-A or 7HA-9510-A consists of the following	1 1	Pass (6 cyl "H" Series) Trucks (6 cyl "H" Series)	47-48 47
1-7HA 9447	Gasket 1-1GA 9599 Retainer			
1-7HA 9516	Gasket 1- 40 9608 Gasket			
1-1GA 9519-B	Gasket 1- 78 9631 Piston			
1-1GA 9526	Link 1- 78 9636 Spring			
1-1GA 9533-A	Jet-.065 1-1GA 9904-B Valve			
1- 78 9541	Needle 1- 78 9925-A Gasket			
1-1GA 9542-B	Jet 2- 78 9926 Gasket			
1-7HA 9564	Needle 1-7HA 9942 Screen			
7HA 9590-B	Repair kit (carburetor)-use with 8HA-9509-B or 7HA-9510-B consists of the following	1	Pass (6 cyl "H" Series)	47-48
1-7HA 9447	Gasket 1-1GA 9599 Retainer			
1-7HA 9516	Gasket 1- 40 9608 Gasket			
1-1GA 9519-B	Gasket 1- 78 9631 Piston			
1-1GA 9526	Link 1- 78 9636 Spring			
1-1GA 9533-B	Jet.063 1-1GA 9904-B Valve			
1- 78 9541	Needle 1- 78 9925-A Gasket			
1-1GA 9542-B	Jet 2- 78 9926 Gasket			
1-7HA 9564	Needle 1-7HA 9942 Screen			



CHASSIS PARTS CATALOGUE

CARBURETOR CHART

PART NUMBER	PART NAME	CARBURETOR																	
		A-9510-C	B-9510	18-9510	40-9510-A	40-9510-B	48-9510-D	67-9510-A	78-9510-A	52-9510-B	91A-9510-A	922A-9510-A	ONY-9510	1GA-9510-A	21A-9510-A	59A-9510-A	5GA-9510-A	7HA-9510-A	7HT-9510
		NUMBER REQUIRED																	
9N-9506	Body assy (throttle)												1						
9N-9507	Body assy (main)												1						
	355245-S Screw-No.12-28 x 5/8"												4						
	34804-S8 Lockwasher-No.12												4						
	358043-S Plug (drain)-1/8"												1						
48 9511	Body assy (main)-replaced by 67-9511					1	1												
52 9511-B	Body assy (main)										1								
67 9511	Body assy (main)								1										
922A 9511	Body assy (main)											1							
	31095-S7 Screw (main body to throttle body)-1/4"-20 x 3/4"					3	3	3		3									
	34805-S8 Lockwasher-1/4"					3	3	3		3									
	31079-S7 Screw (main body to throttle body)-No.12-24 x 5/8"									2	2	2			2	2			
	34804-S8 Lockwasher-No.12									2	2	2			2	2			
	31646-S7 Screw (main body to throttle body)-1/4"-28 x 3/4"									1	1	1			1	1			
	34805-S2 Lockwasher-1/4"									1	1	1			1	1			
A 9512-B	Bowl	1																	
	+21566-S7 Bolt (bowl to upper body)-3/8"-24 x 3 1/4"	1																	
	34847-S8 Lockwasher (bowl to upper body bolt)-3/8"	1																	
B 9512	Bowl		1																
	+21555-S7 Bolt (bowl to upper body)-5/16"-18 x 3"		1																
	34846-S2 Lockwasher (bowl to upper body bolt)-5/16"		1																
91A 9512	Body assy (main)-replaced by 21A-9512											1							
1GA 9512	Body assy (main)													1			1		
21A 9512	Body assy (main)														1				
59A 9512	Body assy (main)															1			
8HA 9512	Body assy (main)																	1	
7HT 9512	Body assy (main)																		1
	31079-S7 Screw (main body to throttle body)-No.12-24 x 5/8"									2	2	2			2	2			
	34804-S8 Lockwasher-No.12									2	2	2			2	2			
	31646-S7 Screw-1/4"-28 x 3/4"									1	1	1			1	1			
	34805-S8 Lockwasher-1/4"									1	1	1			1	1			
	350276-S7 Screw-1/4"-28 x 1 3/16"														2		2	2	2
	34805-S8 Lockwasher-1/4"														2		2	2	2
40 9513-A	Body assy (main)			1	1														
18 9514	Body assy (throttle)			1															
18 9516	Gasket (throttle body)			1	1														
40 9516	Gasket (throttle body to main body)					1	1	1											
52 9516	Gasket (throttle body to main body)									1									
78 9516	Gasket (throttle body to main body)-replaced by 7RA-9516									1	1				1	1			
922A 9516	Gasket (throttle body to main body)												1						
1GA 9516	Gasket (throttle body to main body)													1			1		
7HA 9516	Gasket (throttle body to main body)																	1	1

+ No Longer Supplied



CHASSIS PARTS CATALOGUE

CARBURETOR CHART

PART NUMBER	PART NAME	CARBURETOR																	
		A-9510-C	B-9510	18-9510	40-9510-A	40-9510-B	48-9510-D	67-9510-A	78-9510-A	52-9510-B	91A-9510-A	92ZA-9510-A	0NY-9510	1GA-9510-A	21A-9510-A	59A-9510-A	5GA-9510-A	7HA-9510-A	7HT-9510
		NUMBER REQUIRED																	
78 9518	Body & shaft assy (throttle)									1				1	1				
922A 9518	Body & shaft assy (throttle)										1								
59A 9518	Body & shaft assy (carb throttle)-used for correction of deceleration surge															1			
1GA 9518	Body & shaft assy (throttle)												1				1		
7HA 9518	Body & shaft assy (throttle)																	1	1
18 9519	Gasket (upper body)			1	1														
48 9519	Gasket (air horn to main body)					1	1	1		1									
78 9519	Gasket (air horn to main body)								1	1	1			1	1				
9N 9519	Gasket (throttle body to main body)											1							
1GA 9519-B	Gasket (air horn to main body)												1				1	1	
7HT 9519	Gasket (air horn to main body)-replaced by 1GA-9519-B																		1
+A 9520-B	Body assy (upper)	1																	
B 9520	Body assy (upper)		1																
18 9520	Body assy (upper)			1	1														
67 9520	Horn assy (carb. air)							1	1										
1GA 9520	Horn assy (air)												1						
59A 9520	Horn assy (air)															1			
5GA 9520	Horn assy (air)																1		
48 9521	Horn assy (air)-replaced by 67-9521					1	1												
67 9521	Horn assy (air)							1	1										
78 9521	Horn assy (air)-replaced by 19B-9524								1	1	1								
21A 9521	Horn assy (air)-replaced by 19B-9524													1					
	31062-S7 Screw (air horn to main body)-No.10-24 x 1/2"					5	5	5	5										
	34803-S7 Lockwasher-No.10					5	5	5	5										
	31628-S7 Screw assy (air horn to main body)-No.10-32 x 5/8"								5	5	5		5	5	5	5			
	34803-S7 Lockwasher-No.10								5	5	5		5	5	5	5			
+18 9522	Tube (gas supply)			1	1														
40 9522	Plug (metering jet)					2	2	2	2										
78 9523	Plug (main body)								2	2	2			2	2				
78 9523	Plug (air horn)												7			7	6	6	
+18 9524	Washer (gas supply tube)			1	1														
19B 9524	Horn assy (air)															1			
5GA 9524	Horn assy (air)																1	1	
7HT 9524	Horn assy (air)																		1
	31628-S7 Screw assy (air horn to main body)-No.10-32 x 5/8"															5	5	5	5
	34803-S7 Lockwasher-No.10															5	5	5	5
A 9525	Needle (adjusting)	1																	
B 9525	Needle (adjusting)		1																
18 9525-A	Stem & stuffing box assy (metering)-normal altitude			1															
18 9525-B	Stem & stuffing box assy (metering)-high altitude			1															
+40 9525	Stem & stuffing box assy (metering)				1														
18 9526	Gasket (metering stem)-replaced by 78-9909			1	1	1													
40 9526	Rod (accelerator pump)					1	1												
67 9526	Rod (accelerator pump)							1	1										
91A 9526	Link (accelerator pump to throttle lever)								1	1	1			1	1				
1GA 9526	Link (accelerator pump to throttle lever)												1			1	1	1	1

+ No Longer Supplied



CHASSIS PARTS CATALOGUE

CARBURETOR CHART

PART NUMBER	PART NAME	CARBURETOR																		
		A-9510-C	B-9510	18-9510	40-9510-A	40-9510-B	48-9510-D	67-9510-A	78-9510-A	52-9510-B	91A-9510-A	922A-9510-A	0NY-9510	1GA-9510-A	21A-9510-A	59A-9510-A	5GA-9510-A	7HA-9510-A	7HT-9510	
		NUMBER REQUIRED																		
18 9527	Guide (metering pin)			1	1															
A 9528	Housing (adjusting needle)	1																		
9N 9530	Nozzle (main)											1								
40 9531	Lever (accelerator pump)					1	1	1		1										
	72000-S7 Cotter pin (accelerator pump lever to pump)-1/16" x 3/8"					1	1	1		1										
78 9531-A	Rod (accelerator pump)									1	1	1		1	1					
1GA 9531	Rod (accelerator pump operating)													1			1	1	1	
A 9532	Seat (adjusting needle)	1																		
40 9533-C	Jet (main metering)-.048"					2	2													
40 9533-D	Jet (main metering)-.046"					2	2													
52 9533-B	Jet (main metering)-.035"										2									
52 9533-C	Jet (main metering)-.033"										2									
67 9533-A	Jet (main metering)-.045"								2											
67 9533-B	Jet (main metering)-.043"								2											
67 9533-C	Jet (main metering)-.041"								2											
78 9533-A	Jet (main metering)-.050"									2	2				2					
78 9533-B	Jet (main metering)-.048"									2	2				2					
922A 9533-A	Jet (main metering)-.043"											2								
922A 9533-B	Jet (main metering)-.041"											2								
9N 9533	Jet (maximum fuel limiting)												1							
1GA 9533-A	Jet (main metering)-.064"																		1	1
1GA 9533-B	Jet (main metering)-.062"																		1	1
59A 9533-A	Jet (main metering)-.051"																2			
59A 9533-B	Jet (main metering)-.049"																2			
5GA 9533-A	Jet (main metering)-.065"														1				1	
5GA 9533-B	Jet (main metering)-.063"														1				1	
A 9534-B	Jet (main)	1																		
B 9534-A	Jet (main)-normal altitude		1																	
+B 9534-B	Jet (main)-high altitude		1																	
40 9534	Jet (main)					2	2	2		2										
78 9535	Washer (accelerator pump shaft)-felt									1	1	1		1	1					
	351336-S8 Washer (carburetor accelerator pump piston operating rod felt washer retaining)-1/4" I.D.									1	1	1		1	1					
9N 9536-A	Ratchet assy (main adjustment)																		1	
	356181-S Lockwasher (main adjustment ratchet screw)-No.4																		2	
	350001-S Screw-No.4-36 x 5/16"																		2	
+B 9537	Washer (main jet)	1	1																	
67 9537	Plunger (choke lever)								1	1										
78 9537-A	Plunger (choke lever)									1	1	1		1	1	1	1	1	1	1
A 9538-B	Jet (cap)	1																		
B 9538	Jet (cap)		1																	
+18 9538	Piston (air valve)			1	1															
+18 9539	Spring (air valve piston)			1	1															
40 9539	Spring (choke valve tension)					1	1	1		1										
78 9539	Spring (choke shaft)									1	1	1		1	1					
+9N 9539	Spring (choke return)																		1	
+18 9540	Jet (aspirating)			1	1															
9N 9540-A	Spring (main adjustment needle)																		1	

† No Longer Supplied



CHASSIS PARTS CATALOGUE

CARBURETOR CHART

PART NUMBER	PART NAME	CARBURETOR																	
		A-9510-C	B-9510	18-9510	40-9510-A	40-9510-B	48-9510-D	67-9510-A	78-9510-A	52-9510-B	91A-9510-A	92ZA-9510-A	0NY-9510	1GA-9510-A	21A-9510-A	59A-9510-A	5GA-9510-A	7HA-9510-A	7HT-9510
		NUMBER REQUIRED																	
†18 9541	Nozzle (aspirating)			1	1														
40 9541	Needle (idle adjusting)					2	2	2		2									
78 9541	Needle (idle adjusting)								2		2	2		1	2	2	1	1	1
9N 9541	Needle (idle adjusting)												1						
A 9542	Jet (idling)	1																	
B 9542	Jet (idling)		1																
†18 9542	Spring (vane check)			1	1														
40 9542	Jet assy (idling)					2	2	2		2									
78 9542	Jet assy (idling)								2		2	2			2	2			
1GA 9542-B	Jet assy (idling)													1			1	1	1
†18 9543	Check (vane)			1	1														
A 9545	Well (secondary)	1																	
9N 9545-A	Plate assy (choke)												1						
	9N-9588 Screw (choke plate)												2						
	356181-S Lockwasher (choke plate screw) -#4												2						
40 9546	Shaft & lever assy (choke)					1	1	1		1									
78 9546	Shaft & lever assy (choke)								1		1	1			1	1			
9N 9546-A	Shaft & lever assy (choke)												1						
1GA 9546	Shaft & lever assy (choke)													1			1		
7HA 9546	Shaft & lever assy (choke)																	1	1
A 9547	Shaft (choke)	1																	
B 9547	Shaft (choke)		1																
	355829-S7 Nut (choke shaft)-No.8-36	1	1																
	34802-S7 Lockwasher (choke shaft nut)- No.8	1	1																
†18 9547	Pin (vane check)			2	2														
B 9548	Lever (choke)	1	1																
67 9548	Lever (choke)							1		1									
78 9548	Lever (choke)								1		1	1			1	1			
1GA 9548	Lever (choke)													1			1	1	1
	31596-S7 Screw (choke lever)- No.10-32 x 3/8"								1		1	1		1	1	1	1	1	1
	44713-S8 Washer (choke lever screw)-flat- No.10								1		1	1		1	1	1	1	1	1
A 9549	Plate assy (choke)	1																	
B 9549	Plate assy (choke)		1																
	†350028-S Screw (choke plate)-No.5-40 x 5/16"	2	2																
18 9549	Vane			2	2														
40 9549	Plate assy (choke)					1	1	1		1									
78 9549	Plate assy (choke)								1		1	1			1	1			
9N 9549	Fly assy (choke)												1						
0NY 9549	Retainer (choke lever swivel)												1						
1GA 9549	Plate assy (choke)													1					
5GA 9549	Plate assy (choke)																1		
7HA 9549	Plate assy (choke)																	1	1
	40-9586 Screw (choke plate)					2	2	2	2	2	2	2		2	2	2	2	2	2
A 9550	Float assy	1																	
B 9550-B	Float assy	1																	
†18 9550	Float assy			1	1														
40 9550	Float assy					1	1	1		1									
78 9550	Float assy								1		1	1		1	1	1	1	1	1
9N 9550-A	Float assy												1						

† No Longer Supplied



CHASSIS PARTS CATALOGUE

CARBURETOR CHART

PART NUMBER	PART NAME	CARBURETOR																	
		A-9510-C	8-9510	18-9510	40-9510-A	40-9510-B	48-9510-D	67-9510-A	78-9510-A	52-9510-B	91A-9510-A	922A-9510-A	ONY-9510	1GA-9510-A	21A-9510-A	59A-9510-A	5GA-9510-A	7MA-9510-A	7MT-9510
B 9553	Baffle (float bowl)		1																
ONY 9553	Strainer												1						
ONY 9555	Swivel (choke lever)												1						
	31037-S7 Screw (choke lever swivel)- No.8-32 x 5/16"												1						
+B 9558	Pin (float hinge)	1	1																
18 9558-A	Pin (float)			1															
+18 9558-B	Pin (float)				1														
40 9558	Pin (float hinge)					1	1	1		1									
78 9558	Pin (float hinge)								1		1	1		1	1	1	1	1	1
9N 9558-A	Pin (float hinge)												1						
A 9559	Strainer	1																	
	351456-S Washer (strainer)-fibre-1/2"	1																	
+18 9559-A	Cover (float bowl)			1															
+18 9559-B	Cover (float bowl)				1														
+78 9560	Spring (choke plate valve)								1		1	1			1	1			
9N 9560	Spring (choke plate)												1						
+18 9561	Gasket (float bowl cover)			1	1														
18 9562-A	Plug (drain)-#8-32 x 3/16"			1															
40 9562	Plug (drain)					1	1	1		1									
78 9562-A	Plug (main jet)-3/8"-32								2		2	2			2	2			
	24309-S8 Bolt (float bowl drain)- 1/4"-28 x 1/2"			1	1														
+18 9563-B	Gasket (drain plug)			1	1														
40 9563	Gasket (drain plug)					3	3	3		3									
78 9563	Gasket (main jet plug)								2		2	2			2	2			
9N 9563	Gasket (adjusting needle seat plug)												1						
A 9564-A	Needle & seat assy (float)	1																	
B 9564	Needle & seat assy (float)	1																	
18 9564	Needle & seat assy (float)			1	1														
40 9564	Needle & seat assy (float)					1	1	1		1									
78 9564	Needle & seat assy (float)								1		1	1		1	1	1	1		
9N 9564	Needle & seat assy (float)												1						
7MA 9564	Needle & seat assy (float)								1		1	1		1	1	1	1	1	1
1GA 9565	Clip (fast idle rod)												2			2	2	2	
9N 9565-A	Needle assy (main adjustment)												1						
	356211-S Washer (main adjustment needle)- 1/4"												1						
+18 9567-A	Seat (float needle)			1	1														
+18 9569-B	Gasket (float needle seat)			1	1														
40 9569	Gasket (float needle seat)					1	1	1		1									
78 9569	Gasket (float needle seat)								1		1	1		1	1	1	1	1	1
A 9570	Driver (adjusting needle)	1																	
+B 9570	Sleeve (choke)		1																
+18 9570	Plunger (pump)			1	1														
18 9571	Spring (pump plunger)			1	1														
40 9571	Spring (accelerator pump lever)					1	1	1		1									
18 9572	Piston (pump)			1	1														
B 9573	Ring (choke sleeve retainer)		1																
+18 9573	Check (pump)			1	1														
40 9573	Valve (accelerator pump check)					1	1	1		1									
A 9575	Jet (compensator)-Number 19	1																	
B 9575-A	Jet (compensator)-Number 18		1																
B 9575-B	Jet (compensator)-Number 17		1																

† No Longer Supplied



CHASSIS PARTS CATALOGUE

CARBURETOR CHART

PART NUMBER	PART NAME	CARBURETOR																	
		A-9510-C	B-9510	18-9510	40-9510-A	40-9510-B	48-9510-D	67-9510-A	78-9510-A	52-9510-B	91A-9510-A	922A-9510-A	ONY-9510	1GA-9510-A	21A-9510-A	59A-9510-A	5GA-9510-A	7HA-9510-A	7HT-9510
78 9575	Retainer (accelerator pump check ball)							1	1				1	1	1	1	1	1	
922A 9575	Retainer (accelerator pump check ball)											1							
78 9576	Ball (accelerator pump check)							1	1	1			1	1	1	1	1	1	
B 9577	Needle (idle adjusting)	1	1																
+18 9577	Nozzle (pump discharge)			1	1														
78 9577	Nozzle (pump discharge)							1	1					1	1				
922A 9577	Nozzle (pump discharge)											1							
+B 9578	Spring (idle adjusting needle)	1	1																
+18 9578	Link (pump)			1	1														
40 9578	Spring (idle adjusting needle)					2	2	2	2	2	2		1	2	2	1	1	1	
9N 9578	Spring (idle adjusting needle)											1							
1GA 9578	Spring (throttle adjusting screw)																	1	1
A 9579	Cap (idle adjusting needle spring)	1																	
18 9579	Pin (pump link)			2	2														
40 9579	Rivet (throttle link)					1	1	1		1									
+18 9580	Cotter pin (pump link)			2	2														
78 9580	Gasket (pump discharge nozzle)								1	1	1			1	1				
A 9581-A	Shaft (throttle)	1																	
B 9581	Shaft (throttle)		1																
+18 9581	Shaft & lever assy (throttle)			1															
40 9581-A	Shaft & lever assy (throttle)-replaced by 40-9582-A				1														
40 9581-B	Shaft & lever assy (throttle)-replaced by 67-9581					1	1												
67 9581	Shaft & lever assy (throttle)							1		1									
78 9581	Shaft & lever assy (throttle)								1		1	1			1	1			
ONY 9581	Shaft & lever assy (throttle)												1						
1GA 9581	Shaft & lever assy (throttle)													1			1	1	1
	31077-S8 Screw (throttle lever adj.)- No.8-32 x 5/8"	1	1	1	1														
	31037-S7 Screw (throttle lever adj. lock)-No.8-32 x 5/16"			6	6														
	31644-S7 Screw (throttle lever adj.)- No.10-32 x 3/4"							1	1	1	1	1		1	1	1	1	1	1
40 9582-A	Shaft (throttle)			1	1														
	73658-S Pin (throttle shaft)-No.0 x 5/8"			1	1														
1GA 9583	Lever (pump operating)													1			1	1	1
	355829-S7 Nut (accelerator pump operating lever)-No.8-36													1			1	1	1
	34802-S7 Lockwasher (accelerator pump operating lever)-No.8													1			1	1	1
1GA 9584	Lever (idler)													1			1	1	1
	357200-S Cotter pin (idler lever)- 3/64" x 5/8"													1			1	1	1
A 9585	Plate (throttle)	1																	
B 9585	Plate (throttle)		1																
	+350028-S7 Screw (throttle plate)- No.5-40 x 5/16"	2	2																
+18 9585	Plate (throttle)			1	1														
40 9585	Plate (throttle)					2	2	2											
52 9585	Plate (throttle)									2									
78 9585	Plate (throttle)										2	2			2	2			
922A 9585	Plate (throttle)												2						

† No Longer Supplied



CHASSIS PARTS CATALOGUE

CARBURETOR CHART

PART NUMBER	PART NAME	CARBURETOR																	
		A-9510-C	B-9510	18-9510	40-9510-A	40-9510-B	48-9510-D	67-9510-A	78-9510-A	52-9510-B	91A-9510-A	922A-9510-A	0NY-9510	1GA-9510-A	21A-9510-A	59A-9510-A	5GA-9510-A	7HA-9510-A	7HT-9510
9N 9585-A	Plate (throttle)												1						
	+355000-S Screw (throttle plate) No.4-36 x 1/4"												2						
	356181-S Lockwasher (throttle plate) - No.4												2						
1GA 9585	Plate (throttle)												1			1			
59A 9585	Plate (carburetor throttle) -replaced by 59A-9518														2				
7HA 9585	Plate (throttle)																	1	1
A 9586-B	Venturi (main)	1																	
B 9586	Venturi (main)		1																
40 9586	Screw (throttle plate)			2	2	4	4	4	4	4	4	4	2	4	4	2	2	2	2
40 9586	Screw (choke plate) -refer to 9549				2	2	2	2	2	2	2	2	2	2	2	2	2	2	2
9N 9586	Venturi												1						
67 9587	Spring (air shutter lever plunger)							1		1									
78 9587	Spring (choke lever plunger)								1		1	1	1	1	1	1	1	1	1
40 9589	Spring (throttle adjusting screw)					1	1	1		1			1						
9N 9589	Spring (throttle adjusting screw)												1						
B 9590	Plug (bowl drain)	1	1																
+18 9590	Lever (starting)			1	1														
67 9590	Repair kit (carburetor) -refer to 9510							1											
81A 9590-A	Repair kit (carburetor) -use with carburetors with .050" jets for normal to 5000 ft. altitudes-refer to 9510								1		1			1					
81A 9590-B	Repair kit (carburetor) -use with carburetors with .048" jets-for 5000 to 10,000 ft. altitudes-refer to 9510																		
5GA 9590	Repair kit (carburetor) -refer to 9510												1			1			
59A 9590-A	Repair kit (carb.) -use with carb. with .051" jets-for normal to 5000 ft. altitudes-refer to 9510															1			
59A 9590-B	Repair kit (carb.) -use with carb. with .049" jets-for 5000 to 10,000 ft. altitudes-refer to 9510																		
7HA 9590-A	Repair kit (carburetor) -use with carb. with .065" jets-for normal to 5000 ft. altitude-refer to 9510																		1
7HA 9590-B	Repair kit (carburetor) -use with carb. with .063" jets-for 5000 to 10,000 ft. altitudes- refer to 9510																		
+B 9591	Washer (bowl drain plug) -fibre	1	1																
+A 9592	Gasket (upper body to bowl)	1																	
B 9592	Gasket (upper body to bowl)		1																
40 9592	Screw (choke lever fulcrum)					1	1	1		1									
78 9593-A	Stem (carburetor choke plate valve)									1		1	1		1	1			
+B 9594	Jet (power)		1																
+18 9594	Lever (starting)			1															
40 9594-A	Jet (power)				1	1	1												
67 9594	Jet (power)							1											
52 9594-B	Jet (power)									1									
78 9594	Needle (pump discharge) -replaced by 78-9902									1		1	1		1	1	1	1	1
1GA 9594	Jet assy (power)													1			1		
7HA 9594	Jet assy (power)																	1	1
40 9595	Washer (kicker)					1	1	1		1									
+B 9596	Washer (power jet)		1																
40 9596	Washer (choke lever fulcrum screw)				1	1	1	1		1									
9N 9596	Jet (idler)																		

† No Longer Supplied



CHASSIS PARTS CATALOGUE

CARBURETOR CHART

PART NUMBER	PART NAME	CARBURETOR																	
		A-9510-C	B-9510	18-9510	40-9510-A	40-9510-B	48-9510-D	67-9510-A	78-9510-A	52-9510-B	91A-9510-A	922A-9510-A	0NY-9510	1GA-9510-A	21A-9510-A	59A-9510-A	5GA-9510-A	7HA-9510-A	7HT-9510
		NUMBER REQUIRED																	
+18 9597	Screw (kicker)			1	1														
40 9597	Kicker assy (throttle)					1	1	1		1									
78 9597	Kicker assy (throttle)								1		1	1			1	1			
	31596-S7 Screw-No.10-32 x 3/8"								1		1	1			1	1			
	44713-S8 Washer-No.10								1		1	1			1	1			
	31644-S7 Screw (throttle lever adj.)								1		1	1			1	1			
1GA 9598-A	Rod assy (fast idle)-replaced by 1GA-9598-B													1			1		
1GA 9598-B	Rod assy (fast idle)													1			1	1	1
78 9599	Spring (throttle kicker)								1		1	1			1	1			
1GA 9599	Retainer (accelerator pump link)													2			2	2	2
	52 9604-B Seat (power jet needle valve)									1									
	40 9608 Gasket (power jet)					1	1	1		1				1			1	1	1
	9N 9608 Gasket (pump check valve screw)												1						
	B 9610 Clip (choke control)		1																
	9N 9610 Screw (throttle adjustment)												1						
	33925-S7 Nut (carburetor to manifold locking)-3/8"-24													1				1	
	18 9613 Clamp (air silencer)			1	1														
	40 9614-A Collar (hand throttle lever)			1	1														
	40 9614-B Stop (hand throttle lever)					1	1	1		1									
	357471-S Pin (hand throttle lever stop)-3/32" x 9/16"					1	1	1		1									
	78 9614 Collar (hand throttle lever)								1		1	1			1	1			
	40 9615-A Lever (hand throttle shaft)			1	1														
	40 9615-C Lever (hand throttle shaft)					1	1	1		1									
	78 9615 Lever (hand throttle shaft)								1		1	1			1	1			
	9N 9622-A Packing (throttle shaft)												1						
	40 9624-A Spring (hand throttle shaft lever)			1	1														
	40 9624-B Spring (hand throttle shaft lever)					1	1	1		1									
	78 9624 Spring (hand throttle shaft lever)								1		1	1			1	1			
	1GA 9624 Spring (choke lever)													1			1	1	1
	40 9631 Piston assy (accelerator pump)					1	1	1											
	52 9631 Piston assy (accelerator pump)									1									
	78 9631 Piston assy (accelerator pump)								1		1			1	1	1	1	1	1
	922A 9631 Piston assy (accelerator pump)											1							
	40 9632 Retainer (accelerator pump piston)					1	1			1									
	67 9632 Retainer (accelerator pump piston)								1										
	78 9632 Retainer (accelerator pump piston)								1		1	1		1	1	1	1	1	1
	40 9634 Gasket (accel. pump piston)-felt					1	1	1		1									
	40 9636 Spring (accel. pump piston return)					1	1	1		1									
	52 9636 Spring (accel. pump piston return)									1									
	78 9636 Spring (accel. pump piston return)								1		1				1	1			
	922A 9636 Spring (accel. pump piston return)											1							
	1GA 9636 Spring (accel. pump piston return)													1			1	1	1
	52 9637 Seat (accel. pump piston return spring)									1									
	67 9637 Seat (accel. pump piston return spring)								1										
	40 9639 Washer (accel. pump piston to air horn)					1	1	1		1									

+ No Longer Supplied



CHASSIS PARTS CATALOGUE

CARBURETOR CHART

PART NUMBER	PART NAME	CARBURETOR																		
		A-9510-C	B-9510	18-9510	40-9510-A	40-9510-B	48-9510-D	67-9510-A	78-9510-A	52-9510-B	91A-9510-A	922A-9510-A	0NY-9510	1GA-9510-A	21A-9510-A	59A-9510-A	5GA-9510-A	7HA-9510-A	7HT-9510	
		NUMBER REQUIRED																		
40 9640	Spring (accel. pump piston)-upper				1	1	1		1											
40 9641	Screw (accel. pump lever fulcrum)				1	1	1		1											
922A 9642	Retainer (accel. pump piston cup)										1									
40 9643	Washer (kicker)				1	1	1		1											
40 9644	Bushing (throttle body kicker)				1	1	1		1											
40 9645	Cap (choke lever shaft)				1	1	1		1											
40 9647	Washer (choke lever shaft)				1	1	1		1											
B 9651	Spring (float)	1																		
40 9656	Body assy (throttle)				1	1														
52 9656	Body assy (throttle)								1											
67 9656	Body assy (throttle)							1												
40 9657	Bushing (hand throttle lever)				1	1	1													
†1GA 9682	Retainer (idler lever to link)												2			2	2	2		
1GC 9791	Clamp assy (choke control casing)												1			1	1	1		
26512-S2	Screw (throttle & choke rod brkt. clamp)-No.8-32 x 3/4"																	1	1	
34126-S7	Nut (throttle & choke rod brkt. clamp)-No.8-32																		1	1
9N 9819-A	Pin (throttle control lever)											1								
78 9902	Needle (carburetor pump discharge)- formerly was 78-9594								1		1	1		1	1	1	1	1	1	1
78 9904	Valve assy (economizer)								1		1	1			1	1				
1GA 9904	Valve assy (economizer)													1			1	1	1	
78 9909	Gasket (economizer valve)								1		1	1			1	1				
9N 9914	Jet (economizer)												1							
01A 9914-B	Jet (economizer metering)- reduced size for high altitude											1								
91A 9920	Bar assy (nozzle)-RH								1		1				1	1				
922A 9920	Bar assy (nozzle)-RH											1								
1GA 9920	Bar assy (nozzle)-7/16" diam. base- replaced by 7HA-9920													1			1			
7HA 9920	Bar assy (nozzle)-3/4" diam. base																		1	1
91A 9921	Bar assy (nozzle)-LH								1		1				1	1				
922A 9921	Bar assy (nozzle)-LH											1								
91A 9922-B	Bar (nozzle)-RH								1		1				1	1				
922A 9922	Bar (nozzle)-RH											1								
91A 9923-B	Bar (nozzle)-LH								1		1				1	1				
922A 9923	Bar (nozzle)-LH											1								
78 9924	Air bleed (nozzle bar)								2		2	2			2	2				
1GA 9924	Air bleed (nozzle bar)													1			1	1	1	
78 9925-A	Gasket (nozzle air bleed)								2		2	2		1	2	2	1	1	1	
78 9926	Gasket (nozzle bar)								4		4	4		2	4	4	2	2	2	
78 9928-B	Clamp (nozzle bar)								2		2	2			2	2				
1GA 9928	Clamp (nozzle bar)													2			2	2	2	
355079-AS7	Screw (nozzle bar clamp)- long-No.8-32 x 7/8"									2		2	2		2	2				
31061-S8	Screw (carburetor nozzle bar clamp)-short-No.8-32 x 1/2"									2		2	2		2	2	2	2	2	
34802-S7	Lockwasher (nozzle bar clamp screw)-No.8								4		4	4		2	4	4	2	2	2	
7HA 9942	Screen (nozzle bar)																		1	1
9N 9974	Screw (idle drilling plug)												1							

† No Longer Supplied



CHASSIS PARTS CATALOGUE

PART NUMBER	PART NAME	NO. REQ'D	MODEL	YEAR 19__
Air Cleaners				
B 9600-B	Cleaner assy (oil bath air)-formerly was B-9625-B	1	Pass,Comm (4 cyl)	32-34
18 9600	Cleaner assy (oil bath air)-formerly was 18-9625	1	Pass,Comm,Trucks-90 HP (8 cyl)	32-33
51 9600	Cleaner assy (oil bath air)-mounts on cylinder head- formerly was 51-18205	1	Pass,Comm,Trucks-90 HP (8 cyl)	34-36
79 9600-A	Cleaner assy (oil bath air)-1 quart capacity- formerly was 79-18205-A2	1	Pass-90 & 100 HP (8 cyl)	37-48
		1	Comm,Trucks-90 & 100 HP (8 cyl)(COE- 1937 only)	37-47
81W 9600-A	Cleaner & silencer assy (air)	1	COE-90 & 100 HP (8 cyl)	38-47
81W 9600-B	Cleaner assy (oil bath air)-formerly was 81W-18205	1	COE-90 & 100 HP (8 cyl)	38-47
ONA 9600	Cleaner assy (oil bath air)-formerly was ONA-18205	1	Comm,Trucks-40 HP (4 cyl)	41-42
11A 9600-B	Cleaner assy (oil bath air)-1 pint capacity-use with governor-formerly was 11A-18205-B	1	Pass-90 & 100 HP (8 cyl)(except COE)	33-48
		1	Comm,Trucks-90 & 100 HP (8 cyl)(except COE)	33-47
19A 9600-A	Cleaner & silencer assy (air)-replaced by 59A-9600-A	1	Pass,Comm,Trucks-60,90 & 100 HP (8 cyl)	32-45
†1GA 9600-C	Cleaner & silencer assy (air)-use without governor	1	Pass,Comm,Trucks-90 HP (6 cyl)	41-46
21A 9600-A	Cleaner assy (oil bath air)-1 quart capacity-use without governor on Passenger-formerly was 21A-18205	1	Pass-90 & 100 HP (8 cyl)	42-48
		1	Comm,Trucks-90 & 100 HP (8 cyl)(except COE)	42-47
	2GA-18205-A Cleaner assy (oil bath air)-1 quart capacity-use without governor	1	Pass,Comm,Trucks-90 HP (6 cyl)	41-42
2GA 9600-B	Cleaner assy (oil bath air)-1 quart capacity-use with or without governor-formerly was 2GA-18205-B	1	Pass,Comm,Trucks-90 HP (6 cyl)	41-46
59A 9600-A	Cleaner assy (oil bath air)-1 pint capacity-use without governor on Passenger-formerly was 59A-18205-A	1	Pass-100 HP (8 cyl)	46-48
		1	Comm,Trucks-100 HP (8 cyl)(except COE)	46-47
5GA 9600-A	Cleaner assy (oil bath air)-1 pint capacity	1	Pass,Comm,Trucks (6 cyl "G" Series)	46-47
5GA 9600-A	Cleaner assy (oil bath air)-1 pint capacity-without governor	1	Pass (6 cyl "H" Series)	47-48
7HT 9600-A	Cleaner assy (oil bath air)-1 quart capacity replaced by 7HT-9600-B	1	Trucks (6 cyl "H" Series)	47
7HT 9600-B	Cleaner assy (oil bath air)-1 qt. capacity	1	Trucks (6 cyl "H" Series)	47
OHA 9600-C	Cleaner assy (oil bath air)-1 pint capacity-use with governor	1	Pass (6 cyl "H" Series)	47-48
APA 9600	Cleaner kit (oil bath air)-1 pint capacity-use without governor-consists of the following 1-OHA 9600-B Cleaner assy 1-8HA 9663 Brace 1-8HA 12110 Conduit	1	Pass,Comm,Trucks (6 cyl "G" Series)	46-47
78 9602-A	Cover (carburetor air cleaner)	1	Pass,Comm,Trucks-60,90 & 100 HP (8 cyl)	32-44
	33893-S7 Wing nut (carburetor air cleaner cover)-No.10-32	1	Pass,Comm,Trucks-60,90 & 100 HP (8 cyl)	32-44
52 9604-B	Seat (power jet needle valve)	1	Pass,Comm,Trucks-60 HP (8 cyl) Refer to 9510 Carburetor Chart	37-38
40 9608	Gasket (power jet)	1	Pass,Comm,Trucks-90 HP (8 cyl)	34-37
		1	Pass,Comm,Trucks-60 HP (8 cyl)	37-38
		1	Pass,Comm,Trucks (6 cyl "G" Series)	41-47
		1	Pass,Comm,Trucks-90 HP (6 cyl "H" Series) Refer to 9510 Carburetor Chart	47-48
9N 9608	Gasket (pump check valve screw)	1	Comm,Trucks (4 cyl) Refer to 9510 Carburetor Chart	41-42
†B 9610	Clip (carburetor choke control rod)	1	Pass,Comm,Trucks (4 cyl) Refer to 9510 Carburetor Chart	32-34
9N 9610	Screw (carburetor throttle adjustment)	1	Comm,Trucks (4 cyl) Refer to 9510 Carburetor Chart	32-34
2GA 9610	Nut (carburetor to manifold locking)-replaced by 33925-S7		Pass,Comm,Trucks (6 cyl "G" Series)	41-47
18 9613	Clamp(carburetor air cleaner)-use with 18-9600	1	Pass,Comm,Trucks-90 HP (8 cyl)	32-33
†40 9614-A	Collar (hand throttle lever)	1	Pass,Comm,Trucks-90 HP (8 cyl) Refer to 9510 Carburetor Chart	32-33

† No Longer Supplied



CHASSIS PARTS CATALOGUE

PART NUMBER	PART NAME	NO. REQ'D	MODEL	YEAR
40 9614-B	Stop (hand throttle lever)	1	Pass, Comm, Trucks-90 HP (8 cyl)	34-37
		1	Pass, Comm, Trucks-60 HP (8 cyl) Refer to 9510 Carburetor Chart	37-38
78 9614	Collar (hand throttle lever)	1	Pass, Comm, Trucks-90 & 100 HP (8 cyl)	32-48
		1	Pass, Comm, Trucks-60 HP (8 cyl)	37-40
		1	Comm, Trucks-90 & 100 HP (8 cyl) Refer to 9510 Carburetor Chart	32-47
†40 9615-A	Lever (hand throttle shaft)	1	Pass, Comm, Trucks-90 HP (8 cyl) Refer to 9510 Carburetor Chart	32-33
40 9615-C	Lever (hand throttle shaft)	1	Pass, Comm, Trucks-90 HP (8 cyl)	34-37
		1	Pass, Comm, Trucks-60 HP (8 cyl) Refer to 9510 Carburetor Chart	37-38
78 9615	Lever (hand throttle shaft)	1	Pass, Comm, Trucks-90 & 100 HP (8 cyl)	38-46
		1	Pass-90 & 100 HP (8 cyl)	32-48
		1	Comm, Trucks-90 & 100 HP (8 cyl) Refer to 9510 Carburetor Chart	32-47
ONA 9620	Tube (air cleaner to carburetor)	1	Comm, Trucks (4 cyl) without governor	41-42
9N 9622-A	Packing (throttle shaft)	1	Comm, Trucks (4 cyl) Refer to 9510 Carburetor Chart	41-42
†40 9624-A	Spring (hand throttle lever)	1	Pass, Comm, Trucks-90 HP (8 cyl) Refer to 9510 Carburetor Chart	32-33
40 9624-B	Spring (hand throttle lever)	1	Pass, Comm, Trucks-90 HP (8 cyl)	34-37
		1	Pass, Comm, Trucks-60 HP (8 cyl) Refer to 9510 Carburetor Chart	37-38
78 9624	Spring (hand throttle lever)	1	Pass, Comm, Trucks-90 & 100 HP (8 cyl)	38-46
		1	Pass-90 & 100 HP (8 cyl)	32-47
		1	Comm, Trucks-90 & 100 HP (8 cyl) Refer to 9510 Carburetor Chart	32-47
78 9624	Spring (bell crank & lever to trunnion)	1	Pass-(6 cyl)	41-48
		1	Comm, Trucks-(6 cyl) Refer to Choke & Throttle & Accelerator Group	41-47
1GA 9624	Spring (choke lever)	1	Pass, Comm, Trucks-90 HP (6 cyl)	41-47
		1	Pass-90 HP-6 cyl. "H" Series	47-48
		1	Comm, Trucks-90 HP-6 cyl. "H" Series Refer to 9510 Carburetor Chart	47
79 9626	Bracket (air cleaner mounting)		Comm, Trucks	37-42
ONA 9626	Bracket (air cleaner mounting)	1	Comm, Trucks-40 HP (4 cyl)	41-42
	24308-S2 Bolt (air cleaner mounting brkt. to clamp)-1/4"-20 x 1/2"	2	Comm, Trucks-40 HP (4 cyl)	41-42
	40-6066 Stud (air cleaner bracket)-2.90" long		Refer to 6050	
91A 9627	Adapter (air cleaner to carburetor)-use with large oil bath air cleaner-not used with governor	1	Std Pass-90 HP (8 cyl)	39
40 9628-A	Clamp (carburetor air cleaner)-2.627" I.D.-with short bolt	1	Pass (4, 6 & 8 cyl)	32-48
		1	Comm, Trucks (4, 6 & 8 cyl)	32-47
	31152-S2 Bolt (air cleaner clamp)- 1/4"-20 x 1 3/8"	1	Pass (4, 6 & 8 cyl)	32-48
		1	Comm, Trucks (4, 6 & 8 cyl)	32-47
	34095-S7 Nut (air cleaner clamp bolt)- 1/4"-20	1	Pass (4, 6 & 8 cyl)	32-48
		1	Comm, Trucks (4, 6 & 8 cyl)	32-47
48 9628-B	Clamp (carburetor air cleaner)-2.68" I.D. with 7.32" long bolt	1	Pass (4, 6 & 8 cyl)	32-48
		1	Comm, Trucks (4, 6 & 8 cyl)	32-47
81W 9628	Clamp (carburetor air cleaner)-use with 81W-9600-B	1	COE-90 & 100 HP (8 cyl)	38-47
OBA 9628-A	Clamp assy (dry type air cleaner to carburetor)- 2.68" dia. clamp with 1/4"-20 x 1.30" screw	1	90 & 100 HP (8 cyl)	32-48
OBA 9628-B	Clamp assy (oil bath air cleaner to carburetor)- 2.68" dia. clamp with 1/4"-20 x 7.50" screw	1	90 & 100 HP (8 cyl)	32-48
OHA 9628-A	Clamp assy (dry type air cleaner to carburetor)- 2.38" dia. clamp with 1/4"-20 x 1.30" screw	1	90 HP (6 cyl)	41-48
OHA 9628-B	Clamp assy (oil bath air cleaner to carburetor)- 2.38" dia. clamp with 1/4"-20 x 7.50" screw	1	90 HP (6 cyl)	41-48

† No Longer Supplied



CHASSIS PARTS CATALOGUE

PART NUMBER	PART NAME	NO. REQ'D	MODEL	YEAR 19__
8IW 9629-A	Support (air cleaner)-use with 8IW-9600-A	1	COE-90 & 100 HP (8 cyl)	38-47
8IW 9629-B	Bracket (air cleaner)-use with 8IW-9600-B	1	COE-90 & 100 HP (8 cyl)	38-47
1GA 9629	Brace (oil bath air cleaner)-formerly was 1GA-9663-B	1	Comm,Trucks-6 cyl "G" Series	41-47
	20310-S2 Bolt (air cleaner brace to cylinder head) -5/16" -18x1/2"	1	Comm,Trucks-6 cyl "G" Series	41-47
40 9631	Piston assy (accelerator pump)	1	Pass,Comm,Trucks-90 HP (8 cyl) Refer to 9510 Carburetor Chart	34-37
52 9631	Piston assy (accelerator pump)	1	Pass,Comm,Trucks-60 HP-(8 cyl) Refer to 9510 Carburetor Chart	37-38
78 9631	Piston assy (accelerator pump)	1	Pass,Comm,Trucks-90 & 100 HP (8 cyl)	32-47
		1	Pass,Comm,Trucks-90 HP (6 cyl)	41-47
		1	Pass, 90 & 100 HP (8 cyl)	32-48
		1	Pass. 90 HP-6 cyl. "H" Series	47-48
		1	Comm,Trucks-90 HP-6 cyl. "H" Series Refer to 9510 Carburetor Chart	47
922A 9631	Piston assy (accelerator pump)	1	Pass,Comm,Trucks-60 HP (8 cyl) Refer to 9510 Carburetor Chart	37-40
40 9632	Retainer (accelerator pump piston)	1	Pass,Comm,Trucks-90 HP (8 cyl)	34-35
		1	Pass,Comm,Trucks-60 HP (8 cyl) Refer to 9510 Carburetor Chart	37-38
67 9632	Retainer (accelerator pump piston)	1	Pass,Comm Trucks-90 HP (8 cyl) Refer to 9510 Carburetor Chart	36-37
78 9632	Retainer (accelerator pump piston)	1	Pass,Comm,Trucks-90 & 100 HP (8 cyl)	32-48
		1	Pass,Comm,Trucks-60 HP (8 cyl)	37-40
		1	Pass,Comm,Trucks-90 HP (6 cyl)	41-42
		1	Comm,Trucks-90 & 100 HP (8 cyl)	32-47
		1	Pass,Comm,Trucks-6 cyl. "G" Series	46-47
		1	Pass, 90 HP-6 cyl. "H" Series	47-48
		1	Comm,Trucks-90 HP-6 cyl. "H" Series Refer to 9510 Carburetor Chart	47
40 9634	Gasket (accelerator pump piston)-felt	1	Pass,Comm,Trucks-90 HP (8 cyl)	34-37
		1	Pass,Comm,Trucks-60 HP (8 cyl) Refer to 9510 Carburetor Chart	37-38
40 9636	Spring (accelerator pump piston return)	1	Pass,Comm,Trucks-90 HP (8 cyl)	34-37
		1	Pass,Comm,Trucks-60 HP (8 cyl) Refer to 9510 Carburetor Chart	37-38
52 9636	Spring (accelerator pump piston return)	1	Pass,Comm,Trucks-60 HP (8 cyl) Refer to 9510 Carburetor Chart	37-38
78 9636	Spring (accelerator pump piston return)	1	Pass,Comm,Trucks-90 & 100 HP (8 cyl)	32-47
		1	Pass-90 & 100 HP (8 cyl) Refer to 9510 Carburetor Chart	32-48
922A 9636	Spring (accelerator pump piston return)	1	Pass,Comm,Trucks-60 HP (8 cyl) Refer to 9510 Carburetor Chart	37-40
1GA 9636	Spring (accelerator pump piston return)	1	Pass,Comm,Trucks-90 HP (6 cyl)	41-47
		1	Pass-90 HP-6 cyl. "H" Series	47-48
		1	Comm,Trucks-90 HP-6 cyl. "H" Series Refer to 9510 Carburetor Chart	47
52 9637	Seat (accelerator pump piston return spring)	1	Pass,Comm,Trucks-60 HP (8 cyl) Refer to 9510 Carburetor Chart	37-38
67 9637	Seat (accelerator pump piston return spring)	1	Pass,Comm,Trucks-90 HP (8 cyl) Refer to 9510 Carburetor Chart	36-37
40 9639	Washer (accelerator pump piston to air horn)	1	Pass,Comm,Trucks-90 HP (8 cyl)	34-47
		1	Pass,Comm,Trucks 60 HP (8 cyl) Refer to 9510 Carburetor Chart	37-38
40 9640	Spring (accelerator pump piston)-upper	1	Pass,Comm,Trucks-90 HP (8 cyl)	34-37
		1	Pass,Comm,Trucks-60 HP (8 cyl) Refer to 9510 Carburetor Chart	37-38
40 9641	Screw (accelerator pump lever fulcrum)	1	Pass,Comm,Trucks-90 HP (8 cyl)	34-37
		1	Pass,Comm,Trucks-60 HP (8 cyl) Refer to 9510 Carburetor Chart	37-38

CHASSIS PARTS CATALOGUE

PART NUMBER	PART NAME	NO. REQ'D	MODEL	YEAR 19__
922A 9642	Retainer (accelerator pump piston cup)	1	Pass, Comm, Trucks-60 HP (8 cyl) Refer to 9510 Carburetor Chart	37-40
40 9643	Washer (kicker)	1 1	Pass, Comm, Trucks-90 HP-(8 cyl) Pass, Comm, Trucks-60 HP-(8 cyl) Refer to 9510-Carburetor Chart	34-37 37-38
40 9644	Bushing (throttle body kicker)	1 1	Pass, Comm, Trucks-90 HP-(8 cyl) Pass, Comm, Trucks-60 HP-(8 cyl) Refer to 9510 Carburetor Chart	34-37 37-38
40 9645	Cap (choke lever shaft)	1 1	Pass, Comm, Trucks-90 HP-(8 cyl) Pass, Comm, Trucks-60 HP-(8 cyl) Refer to 9510 Carburetor Chart	34-37 37-38
40 9647	Washer (choke lever shaft)	1 1	Pass, Comm, Trucks-90 HP-(8 cyl) Pass, Comm, Trucks-60 HP-(8 cyl) Refer to 9510 Carburetor Chart	34-37 37-38
B 9651	Spring (carburetor float)	1	Pass, Comm, Trucks-(4 cyl) Refer to 9510 Carburetor Chart	32-34
+9N 9652	Hose (air cleaner)-use with ONA-9600	1	Comm, Trucks-40 HP (4 cyl)	41-42
9N 9653	Clamp (air cleaner hose)	2	Comm, Trucks-40 HP (4 cyl)	41-42
ONA 9654	Clamp (air cleaner bracket)	1	Comm, Trucks-40 HP (4 cyl)	41-42
7HT 9654	Gasket (air cleaner to carburetor)	1	Trucks-6 cyl "H" Series	47
+40 9656	Body assy (carburetor throttle)	1	Pass, Comm, Trucks-90 HP-(8 cyl) Refer to 9510 Carburetor Chart	34-35
52 9656	Body assy (carburetor throttle)	1	Pass, Comm, Trucks-60 HP-(8 cyl) Refer to 9510 Carburetor Chart	37-38
67 9656	Body assy (carburetor throttle)	1	Pass, Comm, Trucks-90 HP-(8 cyl) Refer to 9510 Carburetor Chart	36-37
40 9657	Bushing (hand throttle lever)	1	Pass, Comm, Trucks-90 HP-(8 cyl) Refer to 9510 Carburetor Chart	34-38
51 9658	Cup (oil)-part of 79-9600-A	1 1	Pass-90 & 100 HP (8 cyl) Comm, Trucks-90 & 100 HP (8 cyl)	37-48 37-47
81W 9658	Cup (oil)-part of 81W-9600-B	1	COE-90 & 100 HP (8 cyl)	38-47
5GA 9663	Brace (oil bath air cleaner)	1	Pass-6 cyl "G" Series	41-47
	20310-S2 Bolt (air cleaner brace to cylinder head)-5/16"-18 x 1/2"	1	Pass-6 cyl "G" Series	41-47
7HA 9663-B	Brace (oil bath air cleaner)	1	Pass-6 cyl "H" Series	47-48
7HT 9663-A	Brace (oil bath air cleaner)	1	Trucks-6 cyl "H" Series	47
+7HT 9663-B	Brace (oil bath air cleaner)	1	Trucks-6 cyl "H" Series	47
	20326-S7 Bolt (air cleaner brace to air cleaner)-5/16"-18 x 5/8"	1 1	Pass-6 cyl "H" Series Trucks-6 cyl "H" Series	47-48 47
	25618-S2 Bolt (air cleaner brace to cylinder head)-7/16"-20 x 13/16"	1 1	Pass-6 cyl "H" Series Trucks-6 cyl "H" Series	47-48 47
	44722-S8 Washer (air cleaner brace to air cleaner)-flat -5/16"	1	Pass-6 cyl "H" Series	47-48
	34808-S8 Lockwasher (air cleaner brace to cylinder head)-7/16"	1 1 1	Pass-6 cyl "H" Series Trucks-6 cyl "H" Series Trucks-6 cyl "H" Series	47-48 47 47
	34846-S2 Lockwasher (air cleaner brace to air cleaner) -5/16"	1	Pass-6 cyl "H" Series Trucks-6 cyl "H" Series	47-48
+51 9665	Elbow (air cleaner)-short-use with governor	1	Pass, Comm, Trucks-90 HP (8 cyl)	33-37
51 9666	Elbow (air cleaner)-long-use without governor	1	Pass, Comm, Trucks-90 HP (8 cyl)	33-37
+1GA 9682	Retainer (idler lever to link)	2 2 2	Pass, Comm, Trucks-90 HP-(6 cyl) Pass-90 HP-6 cyl. "H" Series Comm, Trucks-90 HP-6 cyl. "H" Series Refer to 9510 Carburetor Chart	41-47 47-48 47
81A 9685	Thermostat (exhaust manifold)-special equipment	1	Pass, Comm, Trucks-90 & 100 HP (8 cyl) Refer to 9430 Manifold Group	38-41
+82A 9685	Thermostat (exhaust manifold)-special equipment	1	Pass, Comm, Trucks-60 HP (8 cyl) Refer to 9430 Manifold Group	37-40
59A 9685-B	Valve assy (exhaust thermostat control)	1	Pass, Comm, Trucks-100 HP (8 cyl) Refer to 9430 Manifold Group	46-47

† No Longer Supplied



CHASSIS PARTS CATALOGUE

CHOKE CONTROL ROD CHART

PART NUMBER	MODEL	YEAR	LENGTH	REPLACED BY
A 9700-A	Pass, Comm, Trucks	28-29	22.00"	A 9700-C
A 9700-B	Pass, Comm, Trucks	28-29	26.00"	A 9700-C
A 9700-C	Pass, Comm, Trucks	30-31	28.50"	
B 9700	Pass, Comm, Trucks (4 cyl.)	32-34	34.25"	
BB 9700-A	Comm, Trucks (8 cyl.)	32	32.75"	
BB 9700-B	Comm, Trucks (8 cyl.)	33-34	25.9	48 9700-D
BB 9700-C	Trucks (8 cyl.)	33-34	29.28"	48 9700-D
BB 9700-D	Comm, Trucks (8 cyl.)	33-34	28.98"	48 9700-D
18 9700-B	Pass, Comm (8 cyl.)	32	28.75"	74 9700
40 9700-A	Pass, Comm (8 cyl.)	33	33.54"	
40 9700-B	Pass, Comm (8 cyl.)	34	32.60"	40 9700-A
40 9700-C	Comm, Trucks (8 cyl.)	33-34	31.66"	
46 9700	Sedan Delivery & Station Wagon (4 cyl.)	33	39.75"	
48 9700-A	Pass, also Sedan Delivery-Maroon knob	35	31.62"	48 9700-D
48 9700-B	Pass, also Station Wagon-Taupe knob	35	31.62"	48 9700-D
48 9700-D	Pass, Comm, Trucks (4 & 8 cyl.)-Light Gray knob	35-38	31.75"	
51 9700-B	Trucks-90 & 100 HP-without governor	35-39	27.66"	48 9700-D
67 9700	Comm, Trucks-90 & 100 HP-with governor	35-39	26.80"	48 9700-D
68 9700-B	Pass, also Station Wagon	36	31.54"	48 9700-D
68 9700-D	Pass, also Sedan Delivery	36	31.54"	48 9700-D
68 9700-E	Pass, also Station Wagon & Sedan Delivery-Brown knob	36	31.54"	48 9700-D
73 9700	Comm-60 HP	37-39	26.35"	48 9700-D
74 9700	Pass-60 HP	37	30.28"	48 9700-D
75 9700	Truck-60 HP	37	27.23"	48 9700-D
75 9700	122" Truck-60 HP	38	27.23"	48 9700-D
78 9700	Pass-90 HP (8 cyl.)	37	30.92"	48 9700-D
81A 9700	Pass-90 HP (8 cyl.)	38	31.73"	48 9700-D
81W 9700	COE	38-47		
82A 9700	Pass-60 HP	38	30.99"	48 9700-D
91A 9700-G2	Pass-90 HP (8 cyl.)	39	29.77"	91A 9700-H
91A 9700-H	Pass, Comm, Trucks (8 cyl.)-Light Gray knob	39-41	29.7"	
922A 9700-B2	Pass-60 HP	39	29.35"	91A 9700-H
01A 9700	Pass-90 HP (8 cyl.)	40	26.42"	91A 9700-H
01C 9700	Comm-90 HP (8 cyl.)	40	22.72"	91A 9700-H
01T 9700	Trucks-90 HP (8 cyl.)	40	23.04"	91A 9700-H
022A 9700	Pass-60 HP	40	24.75"	91A 9700-H
022C 9700	Comm-60 HP	40	21.43"	91A 9700-H
09AF 9700-C	Pass-90 & 100 HP (8 cyl.)-Light Gray knob	41-42	42.22"	
11A 9700-A	Pass-except Specials-90 HP (8 cyl.)	41	35.00"	09AF 9700-C
11A 9700-B	Pass-Specials-90 HP (8 cyl.)	41	35.00"	09AF 9700-C
11A 9700-C	Pass-except Specials-90 HP (8 cyl.)	41	35.00"	09AF 9700-C
11A 9700-D	Pass-Specials-90 HP (8 cyl.)	41	35.00"	09AF 9700-C
11C 9700-A	Comm, 122" Truck-90 HP (8 cyl.)	41	22.72"	91A 9700-H
11C 9700-B	Comm-90 HP (8 cyl.)	41	27.29"	91A 9700-H
11T 9700	Trucks-90 HP (8 cyl.)	41	23.04"	91A 9700-H
1GA 9700-A	Pass except Specials (6 cyl.)	41	43.00"	2GA 9700-E
1GA 9700-B	Pass-Specials (6 cyl.)	41	43.00"	2GA 9700-E
1GC 9700-A	Comm, Trucks (6 cyl.)	41-47	33.00"	2GA 9700-E
1GC 9700-B	Sedan Delivery (6 cyl.)	41	35.00"	2GA 9700-E
1NC 9700-A	Comm, Trucks (4 cyl.)	41-42	44.5"	1NC 9700-B
1NC 9700-B	Sedan Delivery (4 cyl.)	41	44.5"	
21A 9700-A	Pass-90 HP (8 cyl.)	42	35.00"	09AF 9700-C
21A 9700-C	Pass-90 HP (8 cyl.)	42	35.00"	09AF 9700-C

* Cut replacing rod to length and use 1 46-9702 coupling.

CHASSIS PARTS CATALOGUE

CHOKE CONTROL ROD CHART

PART NUMBER	MODEL	YEAR	LENGTH	● REPLACED BY
21A 9700-D	Special Pass-90 HP (8 cyl.)	42	35.00"	09AF 9700-C
2GA 9700-C	Pass-except Specials (6 cyl.)	42	43.00"	2GA 9700-E
2GA 9700-D	Pass-specials (6 cyl.)	42	43.00"	2GA 9700-E
2GA 9700-E	Pass, Comm, Trucks (6 cyl.)-Light Gray knob	41-47	43.00"	
2GAS 9700	Pass-Special-90 HP (8 cyl.)	42	43.00"	2GA 9700-E
2GC 9700-A	Comm, Truck (6 cyl.)	42-47	33.00"	2GA 9700-E
2NC 9700	Comm, Truck (4 cyl.)	42	44.5"	
51A 9700-A	Pass (8 cyl.)-Tan knob	46-47	35.00"	51A 9700-B
51A 9700-B	Pass (8 cyl.)-Blue Gray knob	46-47	35.00"	
51A 9700-C	Pass (8 cyl.)-Light Gray knob	46-47	35.00"	51A 9700-B
51A 9700-F	Pass (8 cyl.)-Light Gray knob	46-47	35.00"	51A 9700-B
5GA 9700-A	Pass (6 cyl.)-Tan knob	46-47	43.00"	2GA 9700-E
5GA 9700-B	Pass (6 cyl.)-Blue Gray knob	46-47	43.00"	2GA 9700-E
5GA 9700-C	Pass (6 cyl.)-Light Gray knob	46-47	43.00"	2GA 9700-E
61A 9700-A	Pass-LHD (8 cyl.)-Beige knob	47-48	25.5"	
61A 9700-B	Pass-LHD (8 cyl.)-Beige knob	47-48	25.5"	61A 9700-A
6GA 9700	Pass-LHD (6 cyl.)-Beige knob	47-48	43.00"	

● Cut replacing rod to length and use 1 46-9702 coupling.

Choke and Throttle Controls and Accelerator

PART NUMBER	PART NAME	NO. REQ'D	MODEL	YEAR 19 ____
	34810-S7 Washer (carburetor choke control rod)-9/16"	1	Pass,Comm,Trucks	32
		2	Pass,Comm,Trucks	33
	351014-S Nut (carburetor choke control rod)-1/2"-20	1	Pass,Comm,Trucks (4 & 8 cyl)	32
	B-14605-A Grommet (choke control rod thru dash)	1	Pass,Comm,Trucks-60,90 & 100 HP (8 cyl)	35-39
	11A-16828 Clip (choke control to dash)	1	Comm,Trucks (4 cyl)	41-42
46 9702	Coupling (choke & throttle control rod)	1	Pass (4,6 & 8 cyl)	32-48
		1	Comm,Trucks (4,6 & 8 cyl)	32-47
	89733-S13 Set screw (choke & throttle rod coupling)-No.12-28 x 1/4"	2	Pass (4,6 & 8 cyl)	32-48
		2	Comm,Trucks (4,6 & 8 cyl)	32-47
91A 9703-C	Knob & insert (choke control)-replaced by 91A-9700-H & 46-9702	1	Pass-60 & 90 HP	39
01A 9703-B	Knob & insert (choke control)-Maroon-replaced by 91A-9700-H & 46-9702	1	Pass,Comm,Trucks-60,90 & 100 HP (8 cyl) -(except COE)	40
11C 9703-A	Knob & insert (choke control)	1	Comm,Trucks-90 & 100 HP (8 cyl)(except COE)	41-47
11C 9703-B	Knob & insert (choke control)-replaced by 01A-9703-B	1	Sedan Delivery-90 HP (8 cyl)	41
†A 9705	Sleeve (carburetor adjusting rod locking)	1	Pass,Comm,Trucks	28-31
91A 9705	Rod (choke control)-less knob & insert	1	Pass-90 HP	39
922A 9705	Rod (choke control)-less knob & insert	1	Pass-60 HP	39

† No Longer Supplied



CHASSIS PARTS CATALOGUE

PART NUMBER	PART NAME	NO. REQ'D	MODEL	YEAR
				19__
01A 9705	Rod (choke control)-less knob	1	(Pass 1940-41)(Sedan Delivery 1941)- (8 cyl)-90 HP	40-41
022A 9705	Rod (choke control)-less knob	1	Pass-60 HP	40
022C 9705	Rod (choke control)-less knob	1	Comm-60 HP	40
†A 9709	Spring (carburetor adjusting rod)	1	Pass,Comm,Trucks	28-31
	351276-S2 Collar (carb. adj. rod spring)- 1/4"	1	Pass,Comm,Trucks	28-31
B 9709	Spring (carburetor adjusting sleeve)	1	Pass,Comm,Trucks (4 cyl)	32-34
†91A 9713-A	Insulator (control rod casing)	2	Pass-90 & 100 HP (8 cyl)	39
91A 9714-A	Insulator (choke & throttle control rods)-rubber	2	Pass-90 & 100 HP (6 & 8 cyl)	39-48
91A 9714-A	Insulator (choke & throttle control rods)-rubber	2	Comm,Trucks (4 cyl)	41
91A 9714-A	Insulator (choke & throttle control rods)-rubber	2	Sedan Delivery	41
91A 9714-A	Insulator (carburetor & accelerator rods)-rubber	2	Pass-90 & 100 HP (6 & 8 cyl)	39-48
91A 9714-A	Insulator (carburetor & accelerator rods)-rubber	2	Comm,Trucks (4 cyl)	41
91A 9714-A	Insulator (carburetor & accelerator rods)-rubber	2	Sedan Delivery	41
A 9715	Anti-rattler (carburetor adjusting rod)-on dash	1	Pass,Comm,Trucks	28-31
91A 9715	Spacer (throttle control rod)	1	Convertible & Station Wagon	39
B 9716	Rest assy (accelerator foot)-LHD	1	(Pass 1928-37)(Comm,Trucks 1928-47 except COE)	28-47
	33800-S8 Nut (accelerator foot rest) - 3/8"-24	1	{Pass 1928-37}(Comm,Trucks 1928-47 except COE)	28-47
	34707-S2 Flat washer-3/8"	1	(Pass 1928-37)(Comm,Trucks 1928-47 except COE)	28-47
	34847-S8 Lockwasher-3/8"	1	(Pass 1928-37)(Comm,Trucks 1928-47 except COE)	28-47
†A 9717-A	Anti-rattler (carburetor adjusting rod)-on fuel tank	1	Pass,Comm,Trucks	28-31
91A 9718-B	Clip (choke & throttle control rod retaining)-use with adjustable control rod	2 2	Pass Comm,Trucks (except COE)	39-48 39-47
91A 9719-A	Grommet (choke & throttle control dash)	2	Pass-60,90 & 100 HP	39
91A 9719-B	Grommet (choke & throttle control rod dash)	2 2	Pass-60,90 & 100 HP (8 cyl) Comm,Trucks-60,90 & 100 HP (8 cyl)-except COE	39-48 39-47
†91A 9719-C	Grommet (choke & throttle control rod)-used with adjustable control rods & instrument panel with small holes	2	Pass-60,90 & 100 HP	39
91A 9720	Washer (choke & throttle control rod dash insulator)	2	Pass-60,90 & 100 HP (8 cyl)	39
91W 9723	Pedal assy (accelerator)-LHD-with treadle type accelerator	1	COE	39-47
	24327-S7 Bolt-5/16"-24 x 5/8"	1	COE	39-47
	33798-S8 Nut-5/16"-24	1	COE	39-47
	44722-S8 Washer-flat-5/16"	1	COE	39-47
	34846-S2 Lockwasher-5/16"	1	COE	39-47
	81W 810381 Grommet (accelerator lever with treadle type accelerator)	1	COE	39
	81W-11471 Pad (accelerator pedal)	1	COE	38-39
	34804-S8 Lockwasher-No.12	1	COE	38-39
	26498-S7 Screw (accelerator lever to pedal pad)-No.12-24 x 5/8"	1	COE	38-39

† No Longer Supplied



CHASSIS PARTS CATALOGUE

PART NUMBER	PART NAME	NO. REQ'D	MODEL	YEAR
1GA 9724-A	Bell crank (accelerator)	1	Pass (6 cyl)	41-48
		1	Comm, Trucks (6 cyl)	41-47
	78-9624 Spring (bell crank & lever to trunnion)	1	Pass (6 cyl)	41-48
		1	Comm, Trucks (6 cyl)	41-47
	351377-S7 Washer-flat-3/8"	1	Pass-90 HP (6 cyl)	41-48
		1	Comm, Trucks-90 HP (6 cyl)	41-47
	72010-S Cotter pin-1/8" x 5/8"	1	Pass-90 HP (6 cyl)	41-48
		1	Comm, Trucks-90 HP (6 cyl)	41-47
†A 9725	Accelerator assy	1	Pass, Comm, Trucks	28-31
	BF-11471 Pad (accelerator pedal)-LHD	1	Pass, Comm, Trucks	28-31
†B 9725-B	Accelerator assy-LHD	1	Pass, Comm, Trucks (4 cyl)	32
†18 9725	Accelerator assy	1	Pass, Comm, Trucks (8 cyl)	32
†40 9725	Accelerator assy	1	Pass (8 cyl)	33-34
†46 9725-A	Accelerator assy	1	Comm, Trucks (4 cyl)	33-34
†46 9725-B	Accelerator assy	1	Pass (4 cyl)	33-34
46 9725-C	Accelerator assy	1	Comm, Trucks (8 cyl)	33-34
50 9725	Accelerator assy-LHD	1	Comm, Trucks (8 cyl)	35-47
	36846-S2 Bolt-1/4"-20 x 5/8"	2	Comm, Trucks (8 cyl)	35-39
	†34178-S13 Screw-1/4"-28	2	(Pass-60 & 90 HP 1938)(Comm-60,90 & 100 HP 8 cyl 1939-47)	38-47
	†34178-S13 Screw-1/4"-28	2	Trucks	35-47
81W 9725	Accelerator assy-LHD	1	COE	38-47
91A 9725	Accelerator assy-LHD-4.88" between mounting bolts	1	Pass-60,90 & 100 HP (8 cyl)	35-48
	33798-S8 Nut (accelerator brkt. to dash)-5/16"-24	1or2	Pass	35-48
		1or2	Comm, Trucks	35-47
	34846-S2 Lockwasher-5/16"	1or2	Pass	35-48
		1or2	Comm, Trucks	35-47
	34393-S2 Lockwasher-5/16"-24	2	Pass	46-48
		2	Comm, Trucks	46-47
ONC 9725	Accelerator assy	1	Comm, Trucks (4 cyl)	41-42
1GA 9725	Accelerator assy-LHD-8.26" between mounting bolts	1	Pass (6 cyl)	41-48
1GC 9725	Accelerator assy-LHD	1	Sedan Delivery (6 cyl)	41
1GT 9725	Accelerator assy-LHD	1	Comm, Trucks (6 cyl)	41-47
48 9727	Rod (accelerator shaft to pedal)	1	Pass	35-38
91W 9727	Rod (accelerator pedal to lever)-with treadle type accelerator-5.74" from center line of holes	1	COE	39-47
11A 9727	Rod (accelerator shaft to pedal)	1	Pass (8 cyl)	39-48
1GA 9727	Rod (accelerator shaft to pedal)	1	Pass (6 cyl)	41-48
B 9728	Bracket (accelerator)	1or2	Pass, Comm, Trucks	32-36
		1or2	Pass, Comm, Trucks	32-37
	33798-S8 Nut (accel. bracket to dash)-5/16"-24	1or2	Pass, Comm, Trucks	32-37
		1or2	Pass, Comm, Trucks	32-37
A 9732-A	Bell crank (accelerator)-LHD	1	Pass, Comm, Trucks	28-31
		1	Pass, Comm, Trucks	28-31
	†352600-S Pin (accelerator bell crank)-.373" x 1 1/2"	1	Pass, Comm, Trucks	28-31
	72009-S Cotter pin-3/32" x 5/8"	1	Pass, Comm, Trucks	28-31
	†72411-S Pin (accelerator pedal)-3/32" x 11/16"	1	Pass, Comm, Trucks	28-29
91W 9735	Rod assy (accelerator to bell crank)-LHD-with treadle type accelerator	1	COE	39-47

† No Longer Supplied



CHASSIS PARTS CATALOGUE

PART NUMBER	PART NAME	NO. REQ'D	MODEL	YEAR 19
21A 9735-A	Pedal assy (accelerator)	1	Pass	35-48
	20337-S2 Bolt (pedal to floor board)- 5/16"-24 x 11/16"	1	Pass	35-48
	34846-S2 Lockwasher (pedal to floor board)-5/16"	1	Pass	35-48
	350951-S Nut (accelerator pedal to floor board)-5/16"-24	1	Pass	35-48
	20337-S2 Bolt (accelerator plate to floor board)-5/16"-24 x 11/16"	1	Pass	42
A 9737-A	Spring (accelerator)-LHD	1	Pass,Comm,Trucks	28-29
A 9737-B	Spring (accelerator)-11-1/4"-RH coils-LHD	1	Pass,Comm,Trucks	29-31
B 9737	Spring (accelerator)	1	Pass,Comm,Trucks (4 cyl)	32-34
18 9737	Spring (accelerator)-LHD	1	Pass,Comm,Trucks (8 cyl)	32-34
18 9737	Spring (accelerator)-LHD	1	Comm,Trucks-60,90 & 100 HP (8 cyl)	35-47
48 9737	Spring (accelerator)-LHD	1	Pass (8 cyl)	36-48
81W 9737	Spring (accelerator)-LHD	1	COE	38-47
	†24742-S2 Screw (accelerator pedal bracket to floor board bottom)-No.8-32 x 1 3/4"	1	COE	39-41
	26498-S7 Screw (accelerator lever to accelerator pedal pad)- No.12-24 x 5/8"	1	COE	39
1GA 9737	Spring (accelerator)	1	Pass (6 cyl)	41-48
		1	Comm,Trucks (6 cyl)	41-47
†A 9739-A	Lever (accelerator shaft)	1	Pass,Comm,Trucks	28-29
	†72411-S Pin (accelerator shaft)- 3/32" x 11/16"	1	Pass,Comm,Trucks	28-29
†B 9740	Rod (accelerator to carburetor)-9 7/8" from center line of holes	1	Pass,Comm,Trucks (4 cyl)	32
BB 9740-B	Rod (accelerator to carburetor)-8 29/32" from center line of holes	1	Trucks (4 cyl)	33-34
A 9742-A	Rod (accelerator to steering gear rod)-5 7/8" from center line of holes	1	Pass,Comm,Trucks	28-31
91W 9744	Socket (accelerator control rod)	1	COE	40-47
40 9747	Rod (accelerator to carburetor)-9.45" from center line of holes	1	Pass (4 & 8 cyl)	33-34
50 9747	Rod (accelerator to carburetor)-LHD-10.06" from center line of holes	1	Comm,Trucks-90 & 100 HP (8 cyl)	35-47
50 9747	Rod (accelerator to carburetor)-10.06" from center line of holes	1	Comm,Trucks (6 cyl)	41-47

† No Longer Supplied



CHASSIS PARTS CATALOGUE

PART NUMBER	PART NAME	NO. REQ'D	MODEL	YEAR
73 9747	Rod (accelerator to carburetor)-LHD-7.62" from center line of holes	1	Comm,Trucks-60 HP (8 cyl)	37-40
74 9747	Rod (accelerator to carburetor)-LHD-8.44" from center line of holes	1	Pass-60 HP (8 cyl)	37-40
74 9747	Rod (accelerator to carburetor)-LHD-8.44" from center line of holes	1	Comm,Trucks (4 cyl)	41-42
81W 9747	Rod (accelerator to carburetor)-11.47" from center line of holes	1	COE	38-39
91A 9747	Rod (accelerator to carburetor)-LHD-10.75" from center line of holes	1	Pass,Comm,Trucks	28-31
91A 9747	Rod (accelerator to carburetor)-LHD-10.75" from center line of holes	1	Pass-90 & 100 HP (8 cyl)-Std only 1939	35-39
91W 9747	Rod (accelerator to carburetor)-use with treadle type accelerator-10.72" from center line of holes	1	COE	39-47
91W 9747	Rod (accelerator to carburetor)-10.72" from center line of holes	1	(Pass-8 cyl 1932)(Trucks-8 cyl 1932-34) (Comm-8 cyl 1932-34)	32-34
99A 9747-B	Rod (accelerator to carburetor)-LHD-10.44" from center line of holes	1	Pass-90 & 100 HP (8 cyl)-DeLuxe only 1939	39-48
1GA 9754	Rod (accelerator to carburetor)-LHD	1	Pass (6 cyl)	41-48
A 9757	Rod (spark control)-17 5/32" from center line of holes	1	Pass,Comm,Trucks	28-31
+91A 9757	Washer (throttle & choke control rod sleeve)	2	Pass-60,90 & 100 HP (8 cyl)	39
+91A 9757	Washer (throttle & choke control rod sleeve)	2	Pass,Comm,Trucks-60,90 & 100 HP (8 cyl)-except COE	40
+11A 9761	Clip (choke wire to ventilator brace)	2	Pass	41-48
B 9770	Plate (accelerator foot rest floor)	1	Pass,Comm,Trucks (4 & 8 cyl)	28-34
B 9770	Plate (accelerator foot rest floor)	1	Comm,Trucks (8 cyl)	35-37
B 9771	Lever (throttle rod to accelerator)	1	Pass,Comm (4 cyl)	32-34
+81W 9771	Lever (accelerator)-LHD	1	COE	38-39
	31628-S7 Screw (accelerator lever grommet)-No.10-32 x 5/8"	2	COE	38-47
91W 9771	Lever (accelerator)-LHD-with treadle type accelerator	1	COE	39-47
B 9772	Lever (throttle rod to instrument panel)	1	Pass,Comm (4 cyl)	32-34
	72003-S7 Cotter pin (throttle lever)-1/16" x 1/2"	1	Pass,Comm (4 cyl)	32-34
	352549-S7 Pin (throttle lever)-1/4" x 1.22"	1	Pass,Comm (4 cyl)	32-34
1GA 9772	Rod (bell crank to carburetor)	1	Pass (6 cyl)	41-48
		1	Comm,Trucks (6 cyl)	41-47
1GA 9773	Trunnion (throttle)	1	Pass (6 cyl)	41-48
		1	Comm,Trucks (6 cyl)	41-47
+46 9774	Support (throttle lever)	1	Comm, Trucks (4 cyl)	33-34
	34079-S7 Nut (throttle lever support) - #10-32	2	Comm,Trucks (4 cyl)	33-34
	34803-S7 Lockwasher (throttle lever support nut) #10	2	Comm,Trucks (4 cyl)	33-34

+ No Longer Supplied



CHASSIS PARTS CATALOGUE

THROTTLE CONTROL ROD CHART

PART NUMBER	MODEL	YEAR	LENGTH	* REPLACED BY
+B 9775-B	Pass, Comm, Trucks (4 & 8 cyl.)	32	11.25"	
BB 9775-B	Comm, Trucks (8 cyl.)-with single downdraft carburetor	32-33	7.40"	
BB 9775-B	Comm (8 cyl.)-with single downdraft carburetor	33	7.40"	
BB 9775-D	Comm, Trucks (8 cyl.)-with dual downdraft carburetor	34	30.42"	48 9775-D
40 9775-A	Pass (8 cyl.)-with single downdraft carburetor	33	32.45"	48 9775-D
40 9775-C	Pass (8 cyl.)-with dual downdraft carburetor	34	33.10"	48 9775-D
46 9775-A	Comm, Trucks (4 cyl.)	33-34	12.45"	
46 9775-B	Pass (4 cyl.)	33-34	31.25"	
48 9775-A	Pass-Std, also Sedan Delivery-Maroon knob	35	33.66"	48 9775-D
48 9775-B	Pass-DeLuxe & Touring, also Station Wagon-Taupe knob	35	33.66"	48 9775-D
48 9775-D	Pass, Comm, Trucks (8 cyl.)-Light Gray knob	35-38	33.66"	
51 9775-B	Trucks-90 HP (8 cyl.)-w/o governor-Benton Gray knob	35-39	29.96"	48 9775-D
67 9775-A	Comm, Trucks-90 HP (8 cyl.)-with governor-Benton Gray knob	35-39	28.86"	48 9775-D
68 9775-B	Pass-DeLuxe & Touring, also Station Wagon	36	33.52"	48 9775-D
68 9775-D	Pass-Std, also Sedan Delivery-Benton Gray knob	36	33.52"	48 9775-D
68 9775-E	Pass-also Sedan Delivery & Station Wagon-Brown knob	36	33.52"	48 9775-D
73 9775	Comm-60 HP (8 cyl.)	37-39	28.52"	48 9775-D
74 9775	Pass-60 HP (8 cyl.)	37	32.44"	48 9775-D
75 9775	Trucks-60 HP (8 cyl.)	37-38	29.45"	48 9775-D
78 9775	Pass-90 HP (8 cyl.)	37	32.86"	48 9775-D
81A 9775	Pass-90 HP (8 cyl.)	38	33.61"	48 9775-D
81W 9775	COE-90 HP (8 cyl.)	38-42	8.32"	
82A 9775	Pass-60 HP (8 cyl.)	38	33.42"	48 9775-D
91A 9775-G2	Pass-90 HP (8 cyl.)	39	31.83"	91A 9775-J
91A 9775-J	Pass, Comm, Trucks-60,90 & 100 HP (8 cyl.)-Light Gray knob	39-41	31.8"	
922A 9775-B2	Pass-60 HP (8 cyl.)	39	31.65"	91A 9775-J
01A 9775	Pass-90 HP (8 cyl.)	40	27.71"	91A 9775-J
01C 9775	Comm-90 HP (8 cyl.)	40	24.07"	91A 9775-J
01T 9775	Truck-90 HP (8 cyl.)	40	25.36"	91A 9775-J
09A 9775-B	Comm, Trucks (4 cyl.)	41	43.70"	29AF 9775-B
022A 9775	Pass-60 HP (8 cyl.)	40	26.25"	91A 9775-J
022C 9775	Comm-60 HP (8 cyl.)	40	23.64"	91A 9775-J
11A 9775-A	Pass, except Specials-90 HP (8 cyl.)	41	38.50"	29AF 9775-B
11A 9775-B	Pass-Specials-90 HP (8 cyl.)	41	38.50"	29AF 9775-B
11A 9775-C	Pass, except Specials-90 HP (8 cyl.)	41	38.50"	29AF 9775-B
11C 9775-A	Comm, 122" Truck-90 & 100 HP (8 cyl.)	41	24.07"	91A 9775-J
11C 9775-B	Comm-90 & 100 HP (8 cyl.)	41	27.71"	91A 9775-J
11T 9775	Truck-90 & 100 HP (8 cyl.)	41	25.36"	91A 9775-J
1GA 9775-A	Pass-except Specials (6 cyl.)	41	53.00"	2GA 9775-E
1GA 9775-B	Pass-Specials (6 cyl.)	41	53.00"	2GA 9775-E
1GC 9775-A	Comm, Trucks-except Sedan Delivery (6 cyl.)	41	40.67"	2GA 9775-E
1GC 9775-B	Sedan Delivery (6 cyl.)	41	44.00"	2GA 9775-E
1NC 9775-A	Comm, Trucks-except Sedan Delivery-(4 cyl.)	41-42	27.00"	
1NC 9775-B	Sedan Delivery (4 cyl.)	41	32.00"	
21A 9775-A	Pass-90 HP (8 cyl.)-Ivory knob	42	38.50"	29AF 9775-B
21A 9775-C	Pass-except Specials-90 HP (8 cyl.)-Ivory knob	42	38.50"	29AF 9775-B
21A 9775-D	Pass-Specials-90 HP (8 cyl.)-Brown knob	42	38.50"	29AF 9775-B
29AF 9775-B	Pass, Comm, Trucks-100 HP (8 cyl.)-Light Gray knob	41-47	46.50"	
2GA 9775-C	Pass-except Specials (6 cyl.)	42	53.00"	2GA 9775-E
2GA 9775-D	Pass-Specials-(6 cyl.)	42	53.00"	2GA 9775-E
2GA 9775-E	Pass (6 cyl.)-Light Gray knob	41-47	53.00"	
2GC 9775-A	Comm, Trucks-except Sedan Delivery (6 cyl.)	42-47	40.67"	2GA 9775-E

* Cut replacing rod to length and use 1-46 9702 coupling.

+ No Longer Supplied



CHASSIS PARTS CATALOGUE

THROTTLE CONTROL ROD CHART

PART NUMBER	MODEL	YEAR	LENGTH	REPLACED BY
2NC 9775	Comm, Trucks-except Sedan Delivery (4 cyl.)	42	27.00"	
51A 9775-A	Pass (8 cyl.)-Tan knob	46-47	38.50"	51A 9775-D
51A 9775-B	Pass (8 cyl.)-Blue Gray knob	46-47	38.50"	51A 9775-E
51A 9775-C	Pass (8 cyl.)-Light Gray knob	46-47	38.50"	51A 9775-F
51A 9775-D	Pass (8 cyl.)	46-47	38.50"	51A 9775-E
51A 9775-E	Pass (8 cyl.)	46-47	38.50"	
51A 9775-F	Pass (8 cyl.)	46-47	38.50"	
5GA 9775-A	Pass (6 cyl.)-Tan knob	46-47	53.00"	2GA 9775-E
5GA 9775-B	Pass (6 cyl.)-Blue Gray knob	46-47	53.00"	2GA 9775-E
5GA 9775-C	Pass (6 cyl.)-Light Gray knob	46-47	53.00"	2GA 9775-E
61A 9775-A	Pass (8 cyl.)-Beige knob	47-48	38.50"	61A 9775-B
61A 9775-B	Pass (8 cyl.)	47-48	46.50"	
6GA 9775	Pass (6 cyl.)-Beige knob	47-48	53.00"	

* Cut replacing rod to length and use 1 46-9702 coupling.

PART NUMBER	PART NAME	NO. REQ'D	MODEL	YEAR
+46 9776	Clip (throttle control rod)	1	Pass,Comm (4 cyl)	33-34
B 9777-A	Cover (accelerator pedal hub)	1	Pass,Comm,Trucks (4 & 8 cyl)	32
B 9777-A	Cover (accelerator pedal hub)	1	Pass (4 & 8 cyl)	33-34
B 9777-A	Cover (accelerator pedal hub)	1	Comm,Trucks	35-47
B 9777-B	Cover (accelerator pedal hub)	1	Comm,Trucks (4 cyl)	33-34
46 9777	Cover (accelerator pedal hub)	1	Comm,Trucks (4 & 8 cyl)	33-34
	27068-S7 Screw (accelerator pedal hub cover) #10-32 x 3/8"	2	Pass,Comm,Trucks (4 & 8 cyl)	32-34
	26482-S7 Screw (accelerator pedal hub cover) #12-24 x 1/2"	2	(Comm,Trucks 1935-47)	35-47
	27081-S7 Screw (accelerator pedal hub cover) #10-32 x 1/2"	2	Pass	35-36
	36846-S2 Screw (accelerator pedal hub cover) -1/4-20 x 5/8"	2	Comm,Trucks	37
	34803-S7 Lockwasher (accelerator pedal hub cover) #10	2	Pass,Comm,Trucks (4 & 8 cyl)	32-34
	34805-S8 Lockwasher (accelerator pedal hub cover) -1/4"	2	(Comm,Trucks 1935-47) (Pass 1935-36)	35-47
	34052-S7 Nut (insulating) #8-32	1	Comm (4 cyl)	32
46 9778	Washer (throttle lever support)	1	Comm,Trucks (4 cyl)	33
91A 9778-C	Knob & insert assy (throttle control)-replaced by 91A 9775-H	1	Pass-90 HP (8 cyl)-except Convertibles & Station Wagon	39
91A 9778-D	Knob & insert assy (throttle control)	1	Convertibles & Station Wagon-90 HP (8 cyl)	39
01A 9778-A	Knob & insert assy (throttle control)-Sand color replaced by 91A 9775-J	1	Pass-std,Comm,Trucks-60,90 & 100 HP (8 cyl)-except COE & Sedan Delivery	40
01A 9778-B	Knob & insert assy (throttle control)-Maroon-replaced by 91A 9775-J	1	Pass-deluxe-90 HP (8 cyl)	40
11C 9778-A	Knob & insert assy (throttle control)	1	Comm,Trucks-90 & 100 HP (8 cyl)-except COE & Sedan Delivery	41-47
91A 9779	Rod (throttle control)-less knob & insert	1	Pass-90 HP (8 cyl)	39
922A 9779	Rod (throttle control)-less knob & insert	1	Pass-60 HP (8 cyl)	39
01A 9779	Rod (throttle control)-less knob	1	Pass & Sedan Delivery-90 HP (8 cyl)	40-41
01C 9779	Rod (throttle control)-less knob	1	Comm-90 & 100 HP (8 cyl)	40-41
01T 9779	Rod (throttle control)-less knob-replaced by 91A-9775-J	1	Comm-90 & 100 HP (8 cyl)	42-47
01T 9779	Rod (throttle control)-less knob-replaced by 91A-9775-J	1	Trucks (8 cyl)-except COE	40-47

† No Longer Supplied



CHASSIS PARTS CATALOGUE

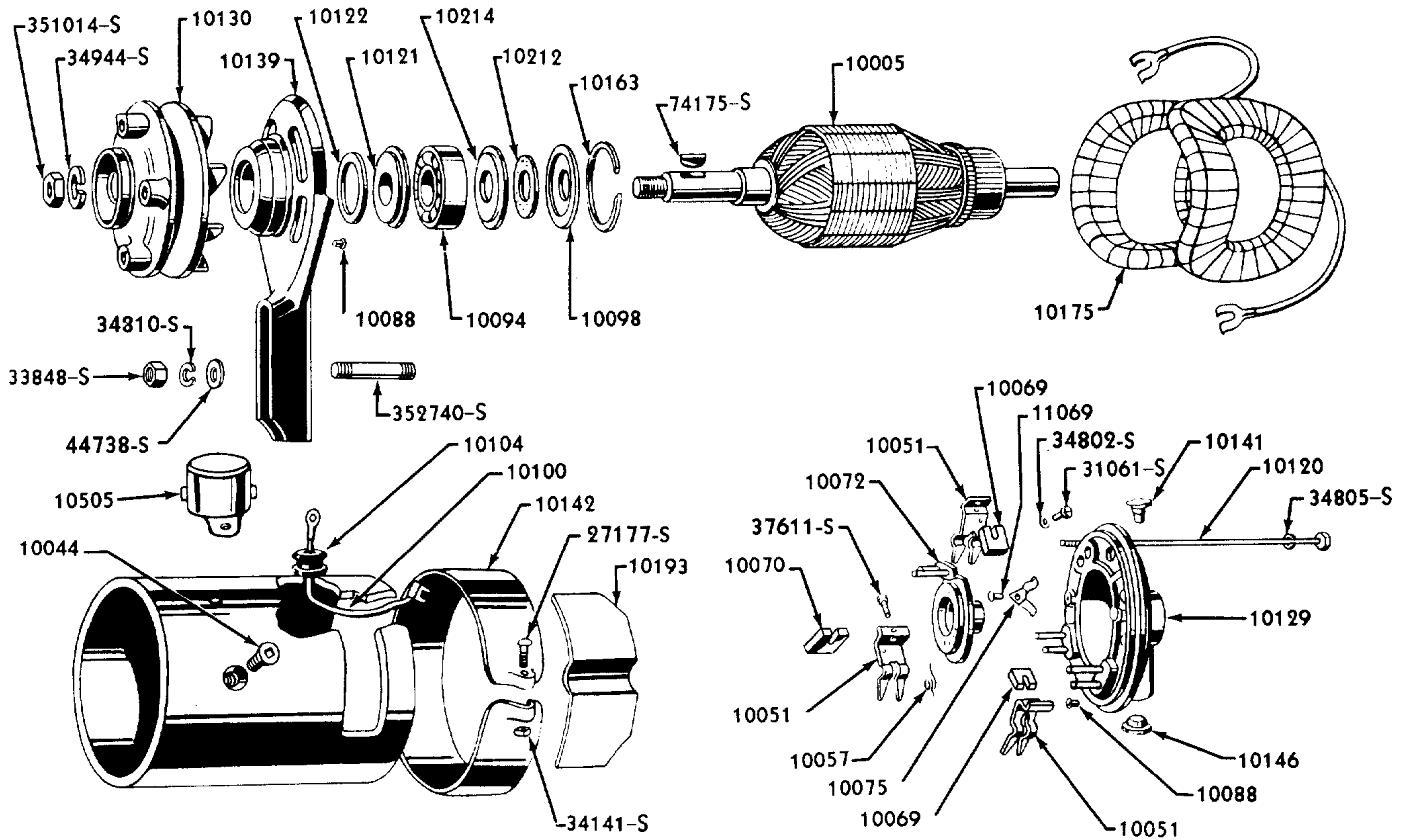
PART NUMBER	PART NAME	NO. REQ'D	MODEL	YEAR
				19__
022A 9779	Rod (throttle control)-less knob	1	Pass-60 HP (8 cyl)	40
022C 9779	Rod (throttle control)-less knob	1	Comm-60 HP (8 cyl)	40
	350136-S7 Screw (throttle control rod adjusting) #10-32 x 3/8"	1	Pass-60,90 & 100 HP (8 cyl)	39-48
		1	Comm,Trucks-60,90 & 100 HP (8 cyl)	39-47
	34803-S7 Lockwasher (throttle control rod adjusting screw) #10	1	Pass-60,90 & 100 HP (8 cyl)	39-48
		1	Comm,Trucks-60,90 & 100 HP (8 cyl)	39-47
	+351291-S7 Washer (throttle control rod adjusting screw)-flat-.20" x .44"	1	Pass-60,90 & 100 HP (8 cyl)	39-48
		1	Comm,Trucks-60,90 & 100 HP (8 cyl)	39-47
91A 9791-A	Bracket (carburetor throttle & choke rod)-3 piece design	1	Pass-60 & 90 HP (8 cyl)	39
91A 9791-B	Bracket (choke & throttle rod)-1 piece design	1	Pass-60 & 90 HP (8 cyl)	39
1GC 9791	Clamp assy (choke control casing)	1	Pass,Comm,Trucks-90 HP (6 cyl)	41-47
		1	Pass-90 HP-6 cyl. "H" Series	47-48
		1	Comm,Trucks-90 HP-6 cyl. "H" Series	47
			Refer to 9510 Carburetor Chart	
B 9794-A	Cup (accelerator shaft bracket)	1 or 2	Pass	35-48
		1 or 2	Comm,Trucks-except COE	35-47
B 9794-A	Cup (dash insulator plug button to dash)	1	(Pass-deluxe 1939)(Pass-std 1940)-90 HP (8 cyl)	39-40
11A 9796	Bracket (choke & throttle control rod)	2	Pass-90 & 100 HP (8 cyl)	41-48
	32925-S8 Screw (choke & throttle control rod bracket)-#12 x 1/2"	2	Pass-90 & 100 HP (8 cyl)	41-48
1GA 9796	Bracket (choke & throttle control rods)-on dash	2	Pass (8 cyl)	46-48
		2	Comm,Trucks (8 cyl)-except COE	46-47
1GA 9796	Bracket (choke & throttle control rods)	2	Pass,Comm,Trucks (6 cyl)-except Sedan Delivery	41-42
1GA 9796	Bracket (throttle control rod)	1	Pass,Comm,Trucks-6 cyl "G" Series	46-47
1GA 9797	Clamp (choke & throttle control rods)	2	Pass (8 cyl)	46-48
		2	Comm,Trucks (8 cyl)-except COE	46-47
1GA 9797	Clamp (choke & throttle control rods)	2	Pass,Comm,Trucks (6 cyl)-except Sedan Delivery	41-42
1GA 9797	Clamp (throttle control rod)	1	Pass (6 cyl)	46-48
		1	Comm,Trucks (6 cyl)	46-47
+11A 9798	Clip (choke to throttle rod wire connector)	1	Pass	41-48
1GA 9805-A	Lever (hand throttle)	1	Pass (6 cyl)	41-48
		1	Comm,Trucks (6 cyl)	41-47
	37611-S7 Screw (carburetor choke control to carburetor choke lever swivel) #8-32 x 1/4"			
	31596-S7 Screw (carburetor choke lever & swivel attaching) #10-32 x 3/8"			
9N 9819-A	Pin (throttle control lever)	1	Comm,Trucks (4 cyl)	41-42
			Refer to 9510 Carburetor Chart	
9N 9819-A	Pin (throttle control lever)	1	Comm,Trucks (4 cyl)	41-42
			Refer to 9510 Carburetor Chart	
78 9902	Needle (carburetor pump discharge)-formerly was 78-9594	1	Pass,Comm,Trucks-90 & 100 HP (8 cyl)	32-47
		1	Pass,Comm,Trucks-60 HP (8 cyl)	37-40
		1	Pass-90 & 100 HP (8 cyl)	32-48
		1	Pass,Comm,Trucks-6 cyl. "G" Series	46-47
		1	Pass-90 HP-6 cyl. "H" Series	46-48
		1	Comm,Trucks-90 HP-6 cyl. "H" Series	47
			Refer to 9510 Carburetor Chart	
78 9904	Valve assy (economizer)	1	Comm,Trucks-60, 90 & 100 HP-(8 cyl)	32-47
		1	Pass-60, 90 & 100 HP (8 cyl)	32-48
			Refer to 9510 Carburetor Chart	
1GA 9904	Valve assy (economizer)	1	Comm,Trucks-90 HP (6 cyl)	41-47
		1	Pass-90 HP (6 cyl)	41-48
			Refer to 9510 Carburetor Chart	

† No Longer Supplied



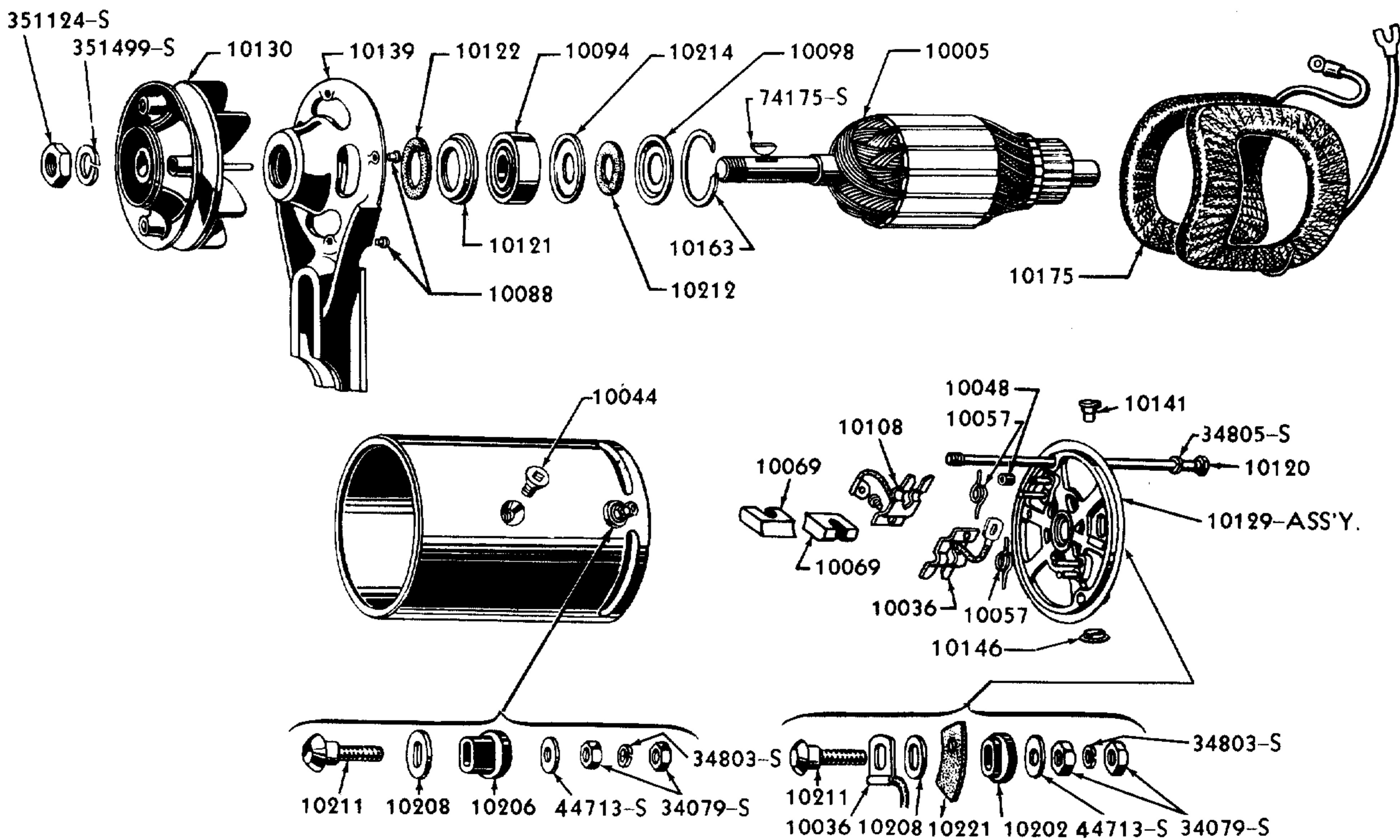
CHASSIS PARTS CATALOGUE

PART NUMBER	PART NAME	NO. REQ'D	MODEL	YEAR
				19__
78 9909	Gasket (economizer valve)	1	Pass, Comm, Trucks-90 & 100 HP (8 cyl)	32-47
		1	Pass, Comm, Trucks-60 HP (8 cyl)	37-40
		1	Pass-90 & 100 HP (8 cyl) Refer to 9510 Carburetor Chart	32-48
9N 9914	Jet (economizer)	1	Comm, Trucks (4 cyl) Refer to 9510 Carburetor Chart	41-42
01A 9914-B	Jet (economizer metering)-reduced size for high altitude	1	Pass, Comm, Trucks-90 & 100 HP (8 cyl) Refer to 9510 Carburetor Chart	39-41
91A 9920	Bar assy (nozzle)-RH	1	Pass, Comm, Trucks-90 & 100 HP (8 cyl)	32-47
		1	Pass-90 & 100 HP (8 cyl) Refer to 9510 Carburetor Chart	32-48
922A 9920	Bar assy (nozzle)-RH	1	Pass, Comm, Trucks-60 HP (8 cyl) Refer to 9510 Carburetor Chart	37-40
1GA 9920	Bar assy (nozzle)-replaced by-7HA 9920	1	Pass, Comm, Trucks-90 HP (6 cyl) Refer to 9510 Carburetor Chart	41-47
7HA 9920	Bar assy (nozzle)	1	Pass-90 & 100 HP-6 cyl. "H" Series	47-48
		1	Comm, Trucks-90 & 100 HP-6 cyl. "H" Series Refer to 9510 Carburetor Chart	47
91A 9921	Bar assy (nozzle)-IH	1	Pass, Comm, Trucks-90 & 100 HP (8 cyl)	32-47
		1	Pass-90 & 100 HP (8 cyl) Refer to 9510 Carburetor Chart	32-48
922A 9921	Bar assy (nozzle)-IH	1	Pass, Comm, Trucks-60 HP (8 cyl) Refer to 9510 Carburetor Chart	37-40
91A 9922-B	Bar (nozzle)-RH	1	Pass, Comm, Trucks-90 & 100 HP (8 cyl)	32-47
		1	Pass-90 & 100 HP (8 cyl) Refer to 9510 Carburetor Chart	32-48
922A 9922	Bar (nozzle)-RH	1	Pass, Comm, Trucks-60 HP (8 cyl) Refer to 9510 Carburetor Chart	37-40
91A 9923-B	Bar (nozzle)-IH	1	Pass, Comm, Trucks-90 & 100 HP (8 cyl)	32-47
		1	Pass-90 & 100 HP (8 cyl) Refer to 9510 Carburetor Chart	32-48
922A 9923	Bar (nozzle)-IH	1	Pass, Comm, Trucks-60 HP (8 cyl) Refer to 9510 Carburetor Chart	37-40
78 9924	Air bleed (nozzle bar)	2	Comm, Trucks-60, 90 & 100 HP (8 cyl)	32-47
		2	Pass-60, 90 & 100 HP (8 cyl) Refer to 9510 Carburetor Chart	32-48
1GA 9924	Air bleed (nozzle bar)	1	Comm, Trucks-90 HP (6 cyl)	41-47
		1	Pass-90 HP (6 cyl) Refer to 9510 Carburetor Chart	41-48
78 9925-A	Gasket (nozzle bar air bleed)	2	Comm, Trucks-60, 90 & 100 HP (8 cyl)	32-47
		2	Pass-60, 90 & 100 HP (8 cyl)	32-48
		1	Comm, Trucks-90 HP (6 cyl)	41-47
		1	Pass-90 HP (6 cyl) Refer to 9510 Carburetor Chart	41-48
78 9926	Gasket (nozzle bar)	4	Comm, Trucks-60, 90 & 100 HP (8 cyl)	32-47
		4	Pass-60, 90 & 100 HP (8 cyl)	32-48
		2	Comm, Trucks-90 HP (6 cyl)	41-47
		2	Pass-90 HP (6 cyl) Refer to 9510 Carburetor Chart	41-48
78 9928-B	Clamp (nozzle bar)	2	Comm, Trucks-60, 90 & 100 HP (8 cyl)	32-47
		2	Pass-60, 90 & 100 HP (8 cyl) Refer to 9510 Carburetor Chart	32-48
1GA 9928	Clamp (nozzle bar)	2	Comm, Trucks-90 HP (6 cyl)	41-47
		2	Pass-90 HP (6 cyl) Refer to 9510 Carburetor Chart	41-48
7HA 9942	Screen (nozzle bar)	1	Pass-90 HP-6 cyl. "H" Series	47-48
		1	Comm, Trucks-90 HP-6 cyl. "H" Series Refer to 9510 Carburetor Chart	47
9N 9974	Screw-headless (idle drilling plug)-1/4"-20	1	Comm, Trucks (4 cyl) Refer to 9510 Carburetor Chart	41-42



P-128

3 BRUSH TYPE GENERATOR (81A-10000-A)

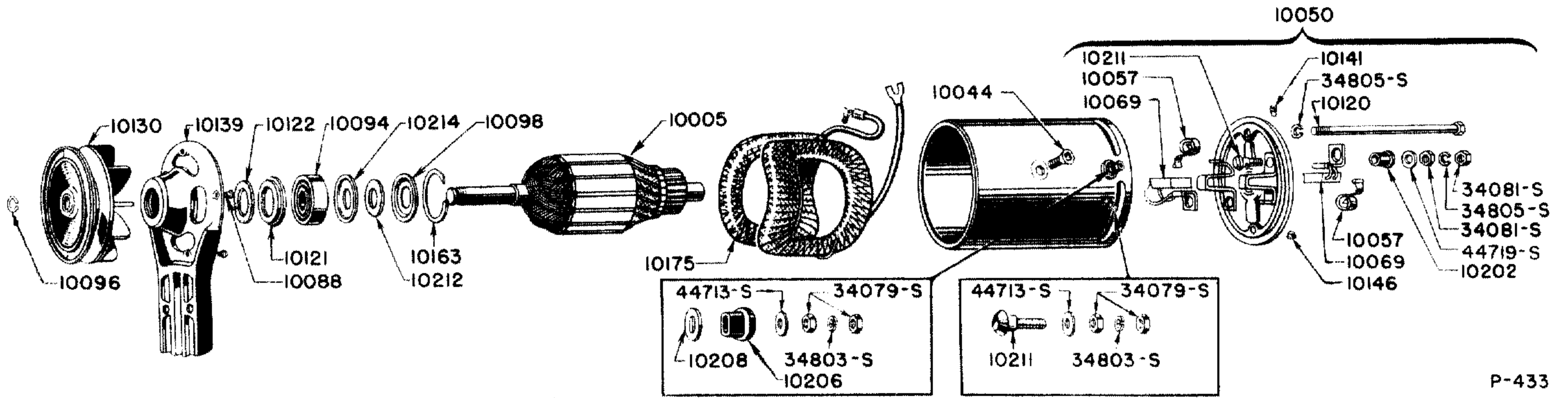


P-119

2 BRUSH TYPE GENERATOR (81A-10000-D)

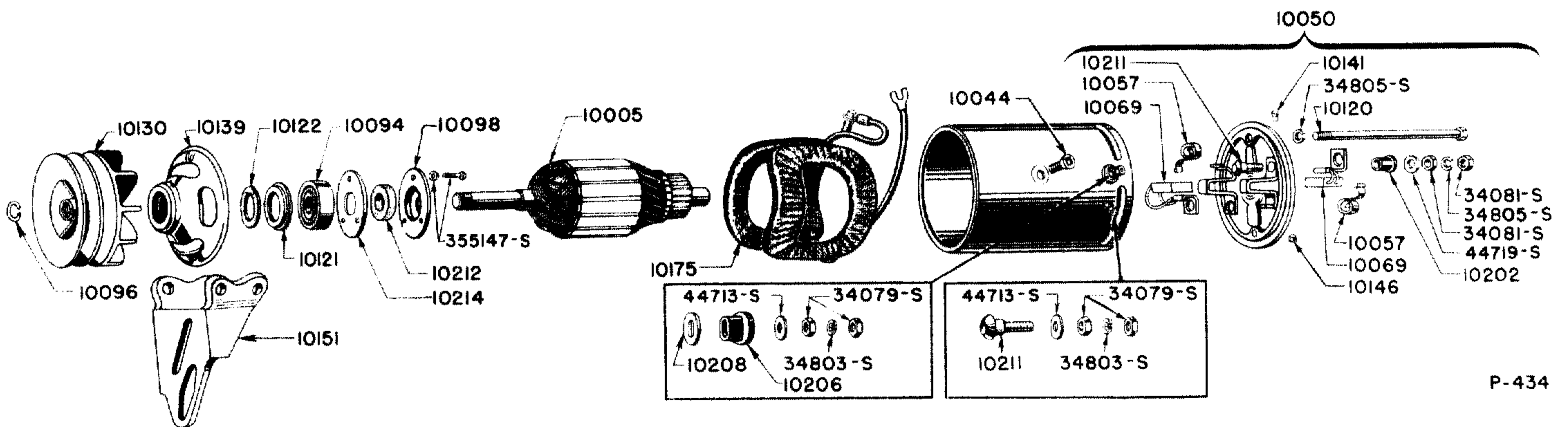
Basic numbers only shown on illustration. Order by Part Numbers shown in list of parts.

CHASSIS PARTS CATALOGUE



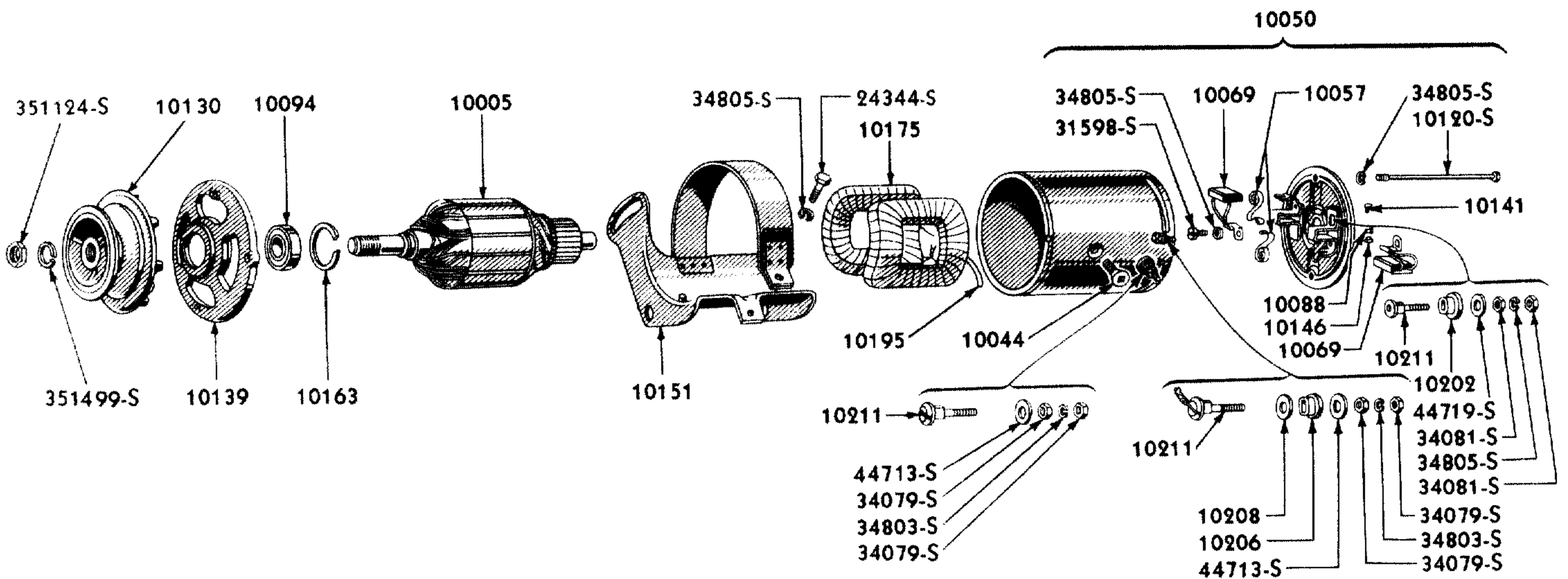
P-433

1942-48 PASSENGER & 1942-47 TRUCK 8 CYL. GENERATOR (21A-10000)



P-434

1942-46 6 CYL. GENERATOR (2GA-10000-A)



P-634

1947-48 PASSENGER & 1947 TRUCK 6 CYL. "H" SERIES GENERATOR

Basic numbers only shown on illustration. Order by Part Numbers shown in list of parts.



CHASSIS PARTS CATALOGUE

GENERATOR REPLACEMENT CHART

PART NUMBER	REPLACED BY	NO. OF BRUSHES	VOLTS	AMPS.	PULLEY		ENGINE		PASS. 19	COMM. OR LIGHT TRUCK 19	TRUCK		
					DIAMETER	SHEAVE	CYL.	H. P.			122' 1/2 TON 19	122' 1 TON 19	1 1/2 TON 19
A 10000-A	46 10000-B	5	6		3.62"	single	4		28	28			28
A 10000-B	46 10000-B	3	6		3.62"	single	4		29	29			29
B 10000-A	46 10000-B	3	6		3.62"	single	4		30-32	30-32			30-32
BB 10000-D	82A 10000-A	3	6		3.68"	single	8	60	37	37			37
BB 10000-D	81A 10000-A	3	6		3.68"	single	8	90					33-35
18 10000-A	# 81A 10000-A	3	6		4.08"	single	8	90	32	32			32
40 10000-A	81A 10000-A	3	6	12	4.08"	single	8	90	33-34	33-34			
40 10000-B	81A 10000-A	3	6	18	4.38"	single	8	90	33-35	33-35			35
46 10000-B		3	6		3.62"	single	4		33-34	33-34			33-34
51 10000-A	79 10000-B	3	6		4.08"	double	8	90					35-36
67 10000-A	81A 10000-A	3	6		5.18"	single	8	90		36-37			36
68 10000-B	81A 10000-A	3	6		4.38"	single	8	90	36				
78 10000-A	81A 10000-A	3	6		4.38"	single	8	90	37				
79 10000-A	79 10000-B	3	6	16	4.68"	double	8	90					37
79 10000-B		3	6	16	4.68"	double	8	60					37-39
							8	90					37-39
							8	100					39
81A 10000-A		3	6	28	4.38"	single	+ 8	90	38-39	38-39	39	38-39	
							8	100		39	39	39	
☆☆ 81A 10000-B	81A 10000-D	3	6	26	4.38"	single	8	90	38-39	38-39	39	38-39	
							8	100	39	39	39	39	
⊙ 81A 10000-D		2	6	28	4.38"	single	8	90	38-39	38-39	39	38-39	
							8	100	39	39	39	39	
⊙ 81A 10000-E		2	6	20	4.38"	single	8	90	38-39	38-39	39	38-39	
							8	100	39	39	39	39	
⊕ 81T 10000-A		2	6	28	4.68"	double	8	90					38-39
							Δ 8	90					38-41
							8	100					39
							Δ 8	100					39-41
⊕ 81T 10000-B		2	6	20	4.68"	double	8	90					38-39
							Δ 8	90					38-41
							8	100					39
							Δ 8	100					39-41
82A 10000-A		3	6	17	3.71"	single	8	60	38-39	38-39	39	38-39	38-39
⊙ 82A 10000-D		2	6	28	3.68"	single	8	60	38-39	38-39	39	38-39	38-39
⊙ 82A 10000-E		2	6	20	3.68"	single	8	60	38-39	38-39	39	38-39	38-39
91A 10000	21A 10000	2	6	28	3.68"	single	8	90	39				
							8	100	39				
01A 10000-A	21A 10000	2	6	32	3.68"	single	8	60	40	40	40	40	◇ 40
							8	90	40	40	40	40	◇ 40
							8	100	40	40	40	40	◇ 40
01A 10000-B	21A 10000	2	6	30	3.18"	single	8	60	40	40	40	40	◇ 40
							8	90	40-41	40-41	40-41	40-41	◇ 40-41
							8	100	40-41	40-41	40-41	40-41	◇ 40-41
1NC 10000		2	6	30	3.68"	single	4	40		41-42	41-42	41-42	
1GA 10000-A		2	6	30	3.80"	single	6	90	41	41	41	41	41
21A 10000		2	6	30	3.18"	single	8	90	42	42	42	42	42
							8	100	42-48	42-47	42-47	42-47	42-47
							8	100	42-48	42-47	42-47	42-47	◇ 42-47

Also use 40 6520-C and 40 6521 and 18 9485

☆☆ Output starts at 10.5 MPH and reaches maximum output at 25 MPH

⊙ Output starts at 11 MPH and reaches maximum output at 27 MPH

⊙ Output starts at 9 MPH and reaches maximum output at 22 MPH

⊕ Output starts at 12 MPH and reaches maximum output at 29 MPH

⊕ Output starts at 9 1/2 MPH and reaches maximum output at 24 MPH

◇ DeLuxe Passenger - 1939

⊕ Standard Passenger - 1939

◇ Except C.O.E.

Δ C.O.E.



CHASSIS PARTS CATALOGUE

GENERATOR REPLACEMENT CHART

PART NUMBER	REPLACED BY	NO. OF BRUSHES	VOLTS	AMPS.	PULLEY		ENGINE		PASS. 19__	COMM. OR LIGHT TRUCK 19__	TRUCK		
					DIAMETER	SHEAVE	CYL.	H. P.			122' 3/4 TON 19__	122' 1 TON 19__	1 1/2 TON 19__
*+21AS 10000-A		4	6	50	3.68"	single	8	90	42	42	42	42	◇42
*+21AS 10000-B		2	6	30	3.18"	single	8	90	42	42	42	42	◇42
							8	100	42-48	42-47	42-47	42-47	◇42-47
* 21AS 10000-C		2	6	30	2.75"	single	8	90	42	42	42	42	◇42
		2	6	30	2.75"	single	8	100	42-48	42-47	42-47	42-47	◇42-47
*+21AS 10000-D		4	6	55	3.50"	single	8	90	42	42	42	42	◇42
							8	100	42-48	42-47	42-47	42-47	◇42-47
2GA 10000-A	5GA 10000	2	6	30	3.80"	double	6	90	42-46	42-46	42-46	42-46	42-46
* 2GAS 10000-A		2	6	50	3.80"	double	● 6	90	42-47	42-47	42-47	42-47	◇42-47
* 2GAS 10000-B		2	6	30	3.80"	double	● 6	90	42-47	42-47	42-47	42-47	◇42-47
* 2GT 10000		2	12	55	3.90"	double	● 6	90		42-47	42-47	42-47	42-47
5GA 10000		2	6	30	3.30"	double	● 6	90	46-47	46-47	46-47	46-47	46-47
* 59TS 10000		4	12	55	3.50"	single	8	100		46-47	46-47	46-47	46-47
*φ7HAS 10000		2	6	50	3.90"	single	§ 6	90	47-48	47	47	47	47
7HA 10001-B		2	6	30	3.18"	single	§ 6	90	47-48	47	47	47	47

* For use on vehicles where high output is needed at low operating speed.

- § 6 Cylinder "H" Series ● 6 Cylinder "G" Series ◇ Except C.O.E.
- φ Replaced by 8BA 10002-C, 8HC 10130-B & 8HT 10151 for Comm. & 122" Trucks.
- φ Replaced by 8BA 10002-C, 8HT 10130-B & 8HT 10151 for 1 1/2 Ton Trucks

PART NUMBER	PART NAME	NO. REQ'D	MODEL	YEAR 19__
22286-S2	Bolt (valve chamber cover clamp)-3/8"-24 x 2"	1	Pass,Comm,Trucks (8 cyl)	32
33800-S8	Nut (valve chamber cover clamp bolt)-3/8"-24	1	Pass,Comm,Trucks (8 cyl)	32
34847-S8	Lockwasher-3/8"			
351377-S7	Washer-flat-25/64"			
357730-S7	Stud (generator to valve chamber cover)-9/16"-18 x 9/16"-12 x 3" long	1	Pass (8 cyl)	42-48
		1	Comm,Trucks (8 cyl)	42-47
356075-S7	Nut-9/16"-18			
352740-S	Stud (generator to valve chamber cover)-9/16"-12 & 9/16"-18 x 2.60"	1	Pass,Comm,Trucks (8 cyl)	32-41
33848-S7	Nut-9/16"-18			
44738-S8	Washer-flat-9/16"			
34810-S7	Lockwasher-9/16"			
20559-S2	Bolt (generator to engine)-1/2"-20 x 3 1/4"	1	Comm,Trucks (4 cyl)	41-42
		1	Pass,Comm,Trucks (4 cyl)	28-34
24554-S7	Bolt (generator to engine)-1/2"-20 x 2 3/4"	1	Pass,Comm,Trucks (4 cyl)	30-32
20393-S	Bolt (generator to cyl. block mounting bracket)-1/2"-20 x 1"	2	Pass (6 cyl "H" Series	47-48
		2	Trucks (6 cyl "H" Series)	47
34809-S8	Lockwasher-1/2"			
33846-S2	Nut-1/2"-20			

† No Longer Supplied

GENERATOR CHART

PART NUMBER	PART NAME	GENERATOR																	
		NUMBER REQUIRED																	
91A 10043	Brush set-use with 91A-10050-consists of the following 2-91A-10069 Brushes																		
01A 10043	Brush set-consists of the following 2-01A-10069 Brushes																		
99B 10043	Brush set-consists of the following 2-99B-10069 Brushes 2-99B-10070 Brushes																		
19B 10043-A	Brush set-consists of the following 4-19B-10070-C Brushes																		
68 10044	Screw (pole piece) -7/16"-14 x 2 1/32"																		
68 10044	Screw (pole piece) -7/16"-14 x 2 1/32"																		
99B 10044	350505-S Screw (pole piece)																		
7RA 10044	Screw (pole piece) -7/16"-14 x 1 3/32"																		
B 10048	Screw (pole piece) -7/16"-14 x 7/8"																		
18 10048	Bushing (brush holder insulating)																		
99B 10048	Bushing (brush holder stud insulating)																		
2GAS 10048	Bushing (brush holder rivet insulating)																		
48BA 10048-B	Bushing (brush holder rivet insulating)																		
† B 10049	Bushing (brush holder stop pin insulating)																		
99B 10049-A	Insulator (brush holder to end plate)																		
99B 10049-B	Insulator (brush holder to end plate)																		
† A 10050-B	Holder assy (brush)																		
81A 10050	31031-S5 Screw (brush holder attaching) -No.6-32 x 1/4"																		
	34801-S7 Lockwasher-No.6																		
	Plate assy (rear end) -with 40-10069 brushes-replaced by 91A-10050																		

Refer to 11085

† No Longer Supplied † Also refer to 18-11068



GENERATOR CHART

PART NUMBER	PART NAME	GENERATOR																		
		91A-10050	99B 10050-B	01A 10050	2GAS 10050	40 10051	99B 10051	19B 10051-A	99B 10052	19B 10052-A	18-11069	63391-S7	63407-S7	99B 10055	40 10057	91A 10057	99B 10057	+ A 10068-A	A 10069-A	
91A 10050	Plate Assy (rear end)-with 91A-10069 brushes																			
99B 10050-B	Plate Assy (rear end)																			
	31079-S7 Screw (rear end plate to generator frame) - No. 1.2-24 x 5/8"																			
	34804-S8 Lockwasher-No. 1.2																			
01A 10050	Plate Assy (rear end)																			
2GAS 10050	Plate Assy (rear end)																			
40 10051	Holder (brush)																			
	37611-S7 Screw (holder to terminal) - No. 8-32 x 1/4"																			
	34802-S7 Lockwasher-No. 8																			
99B 10051	Holder (brush)																			
19B 10051-A	Holder (brush)																			
99B 10052	Holder (brush) -replaced by 99B-10050-B																			
19B 10052-A	Holder (brush)																			
	18-11069 Rivet (brush holder)																			
	63391-S7 Rivet (brush holder)																			
	63407-S7 Rivet (brush holder)																			
99B 10055	Insulator (brush holder to end plate)																			
40 10057	Spring (brush) -used with 40-10069 or 40-10070																			
91A 10057	Spring (brush) -used with 91A-10069 or 01A-10069																			
99B 10057	Spring (brush)																			
+ A 10068-A	Spring (brush)																			
A 10069-A	Brush (main)																			

● For 5 brush type generator.

† No Longer Supplied

NUMBER REQUIRED



CHASSIS PARTS CATALOGUE

GENERATOR CHART

PART NUMBER	PART NAME	GENERATOR																																																					
		NUMBER REQUIRED																																																					
		A-10000-A	A-10000-B	B-10000-A	BB-10000-D	18-10000	40-10000-A	40-10000-B	46-10000-B	51-10000-A	67-10000-A	68-10000-B	78-10000-A	79-10000-A	79-10000-B	81A-10000-A	81A-10000-B	81A-10000-D	81A-10000-E	81T-10000-A	81T-10000-B	82A-10000-A	82A-10000-D	82A-10000-E	91A-10000	01A-10000-A	01A-10000-B	1NC-10000	1GA-10000-A	21A-10000	21AS-10000-B	21AS-10000-C	21AS-10000-D	2GA-10000-A	2GAS-10000-A	2GAS-10000-B	2GT-10000	5GA-10000	59TS-10000	7HA-10001-B	7HAS-10000														
+ A 10069-B	Brush (main)	2																																																					
\$ 40 10069	Brush (main) -replaced by 40-10043		2				2	2	2	2												2																																	
\$ 40 10069	Brush - wireless-used with 81A-10050-13/16" high-49/64" wide-17/64" thick																		2	2	2																																		
91A 10069	Brush - single wire-used with 91A-10050-55/64" high-3/4" wide-19/64" thick																		2	2	2																																		
99B 10069	Brush - insulated wire-1 1/10" high-1 3/32" wide-7/32" thick																																																						
01A 10069	Brush - two wires-55/64" high-1" wide-19/64" thick																																																						
A 10070-A	Brush (fifth)	1																																																					
A 10070-B	Brush (third)	1																																																					
40 10070	Brush (third) -replaced by 40-10043																																																						
	31061-S8 Screw (brush attaching) - No.8-32 x 1/2"	3	3	3	3	3	3	3	3	3	3	3	3	3	3	3	3	3	2	2	2	2	2	2	2	2	2	2	2	2	2	2	2	2	2	2	2	2	2	2	2	2	2	2	2	2	2	2	2	2	2				
	34802-S7 Lockwasher-No.8	3	3	3	3	3	3	3	3	3	3	3	3	3	3	3	3	3	2	2	2	2	2	2	2	2	2	2	2	2	2	2	2	2	2	2	2	2	2	2	2	2	2	2	2	2	2	2	2	2	2	2			
+ 99B 10070	Brush - non-insulated-1 1/10" high-1 3/32" wide-7/32" thick																																																						
Ⓔ 19B 10070-B	Brush - insulated wires-1 1/10" high-1 19/64" wide-15/64" thick																																																						
	350161-S7 Screw (brush attaching) - No.10-32 x 1 15/16"																																																						
	31598-S Bolt (brush holder to end plate)-1/4"-28 x 3/8"																																																						
	34805-S8 Lockwasher-1/4"																																																						
+ B 10072	Plate assy (third brush)	1	1																																																				
40 10072	Plate assy (third brush)																																																						
B 10075	Retainer (third brush plate)	2	2																																																				
	26457-S7 Screw (third brush plate retainer)-#8-32 x 1/4"	2	2																																																				
18 10075	Retainer (third brush plate)																																																						
+ B 10076-A	Retainer (brush holder to stud)	3	3																																																				

+ For 3 brush type generator.

+ No Longer Supplied

Ⓔ Replaced by 19B-10043-A

\$ Replaced by 40-10043

GENERATOR CHART

PART NUMBER	PART NAME	GENERATOR																		
		NUMBER REQUIRED																		
		3	3																	
	44707-S8 Washer-flat (brush holder stud) #6																			
A 10082-A	Thrower (rear oil)	1																		
A 10083-A	Cup (front oil thrower)	1																		
A 10084-A	Thrower (front oil)	1																		
46 10084	Thrower (front end plate bearing oil)			1																
A 10086	Gasket (front end plate bearing oil thrower)	1																		
A 10087-A	Washer (bearing spring)	1																		
18 10088	Dowel (front end plate locating)			1	1	1	1	1	1	1	1	1	1	1	1	1	1	1	1	1
18 10088	Dowel (rear end plate locating)			1	1	1	1	1	1	1	1	1	1	1	1	1	1	1	1	1
18 10088	Dowel (starter end plate locating)			1	1	1	1	1	1	1	1	1	1	1	1	1	1	1	1	1
+ A 10090-A	Shaft (armature)																			
	24309-S8 Bolt (armature shaft attaching) -1/4" x 1/2"	2																		
A 10091-A	Cap (front end)	1																		
+ A 10092	Washer (bearing spring)	1																		
A 10093	Bearing (armature shaft) -front	1																		
# B 10094	Bearing (armature shaft) -rear	1																		
# B 10094	Bearing (front end plate)	1	1																	
# B 10094	Bearing (rear end plate)														1					
18 10094	Bearing (front end plate)			2	2	2	2	2	2	2	2	2	2	2	2	2	2	2	2	2
+ 68 10094	Bearing (front end plate) -double row														1					
79 10094	Bearing (front end plate)			1	1	1	1	1	1	1	1	1	1	1	1	1	1	1	1	1
99B 10094	Bearing (front end plate)																	1		1
7RA 10094	Bearing (front end plate)																	1	1	1
7RA 10094	Bearing (rear end plate)																		1	1
	24309-S8 Bolt (rear end plate bearing) -1/4" x 1/2"																			

Refer to 11130

† No Longer Supplied # Replaced by 7RA-10094



CHASSIS PARTS CATALOGUE

GENERATOR CHART

PART NUMBER	PART NAME	GENERATOR																		
		NUMBER REQUIRED																		
+ A 10100-C	Screw & wire assy (field terminal)	1																		
+ B 10100	Screw & wire assy (field terminal)		1																	
40 10100-A	Wire assy (field coil to cutout)-red			1																
	81A-10211 Screw (terminal)				1															
	+ 35L297-S Washer (terminal screw)					1														
	34079-S7 Nut (terminal screw)					2														
	34903-S8 Lockwasher (terminal screw) #10					1														
+ A 10104-A	Bushing (field terminal screw insulating)						1													
A 10104-C	Bushing (field terminal screw insulating)							1												
+ B 10104	Bushing (field terminal screw insulating)-outer								1											
18 10104-A	Bushing (field terminal screw insulating)									1										
40 10104-A	Bushing (field coil wire through frame insulating)										1									
+ 68 10104	Bushing (field coil wire through frame insulating)											1								
+ B 10106	Washer (field terminal screw insulating)-inner												1							
81A 10108	Wire assy (brush to ground)													1						
81A 10108	Wire assy (brush to ground)-use with 81A-10050														1					
18 10112	Washer (front end plate bearing felt)-rear															1				
+ B 10113	Retainer (front end plate bearing felt washer)-outer																1			
18 10113	Retainer (front end plate bearing felt washer)-rear																	1		
2GA 10113	Washer (adjusting arm)																			1
B 10114	Washer (front end plate bearing felt washer)-inner																			1
	B-3125 Washer (front end plate bearing felt)																			1

+ No Longer Supplied



CHASSIS PARTS CATALOGUE

GENERATOR CHART

PART NUMBER	PART NAME	GENERATOR																				
		NUMBER REQUIRED																				
79 10122	Washer (front end plate bearing felt)-front																					
99B 10122	Washer (front end plate bearing felt)-front																					
01A 10122	Washer (front end plate bearing felt)-front-use with B-10094																					
09B 10124	Retainer (rear end plate bearing felt washer)-rear																					
2GA 10124	Retainer (rear end plate bearing felt washer)-outer-use with 2GA-10050																					
B 10128	Bushing (rear end plate)																					
18 10128	Bushing (rear end plate)																					
78 10128	Bushing (rear end plate)																					
+ A 10129-A	Cover & bail assy (rear end)																					
+ A 10129-B	Plate assy (rear end)																					
40 10129	Plate assy (rear end)																					
# A 10130-B	Pulley assy-replaced by 46-10130-A																					
	24309-S8 Bolt (pulley attaching)																					
	34847-S8 Lockwasher (pulley attaching bolt)-3/8"																					
BB 10130-B	Pulley assy-single sheave-3.68" O.D.																					
18 10130	Pulley assy-single sheave-4.03" O.D.																					
40 10130-B	Pulley assy-single sheave-4.38" O.D.																					
46 10130-A	Pulley assy-single sheave-3.62" O.D.																					
51 10130-A	Pulley assy-double sheave-4.08" O.D.																					
+ 51 10130-B	Pulley assy-double sheave-4.08" O.D.																					
+ 67 10130-A	Pulley assy-single sheave-5.18" O.D.																					
+ 68 10130-C	Pulley assy-single sheave-4.38" O.D.																					
74 10130	Pulley assy-single sheave-3.40" O.D.																					
78 10130	Pulley assy-single sheave-4.38" O.D.																					

When used with A-10005-B armature, also use 1 of A-10144 spacer.

† No Longer Supplied



CHASSIS PARTS CATALOGUE

GENERATOR CHART

PART NUMBER	PART NAME	GENERATOR																						
		NUMBER REQUIRED																						
79 10130-B	Pulley assy double sheave-4.68" O.D.																							
79 10130-C	Pulley assy-double sheave-4.68" O.D.																							
81A 10130-A	Pulley assy-single sheave-4.42" O.D.		1																					
82A 10130-A	Pulley assy-single sheave-3.71" O.D.																							
91A 10130-B	Pulley assy-single sheave-3.58" O.D.										1													
01A 10130-A	Pulley assy-single sheave-3.68" O.D.											1												
01A 10130-B	Pulley assy-single sheave-3.12" O.D.												1											
01AS 10130-B	Pulley assy-single sheave-3.50" O.D.																							
01AS 10130-D	Pulley assy-single sheave-2.78" O.D.- use where high output is needed at low speeds												1											
01W 10130-A	Pulley assy-double sheave-4.68" O.D.- also for C.O.E. where normal output is desired																						1	
+ 01W 10130-B	Pulley assy-double sheave-3.68" O.D.- also for C.O.E. where high output is needed at low speeds																						1	
1GA 10130-C	Pulley assy-double sheave-3.54" diameter at small end-4.18" diameter at large end																						1	
# 2GA 10130-B	Pulley assy-double sheave-4.00" O.D.																						1	
2GAS 10130-A	Pulley assy-double sheave-3.90" O.D.- use with 2GAS-10005-B																						1	
2GAS 10130-B	Pulley assy-double sheave-3.90" O.D.																						1	
# 2GAS 10130-C	Pulley assy-double sheave-3.30" O.D.- use where high output is needed at low speeds-replaced by 5GA 10130																						1	
5GA 10130	Pulley assy-double sheave-3.30" O.D.																						1	
7HA 10130-B	Pulley assy-single sheave-3.18" O.D.																						1	
+ 7HAS 10130	Pulley assy-single sheave-3.90" O.D.																						1	
	B-10143 Bolt (pulley to armature)																						1	
	34847-88 Lockwasher (pulley to armature)-3/8"																						1	
	74175-S Key (pulley to armature) -5/8 x 5/32"																						1	

-replaced by 5GA 10130 † No Longer Supplied

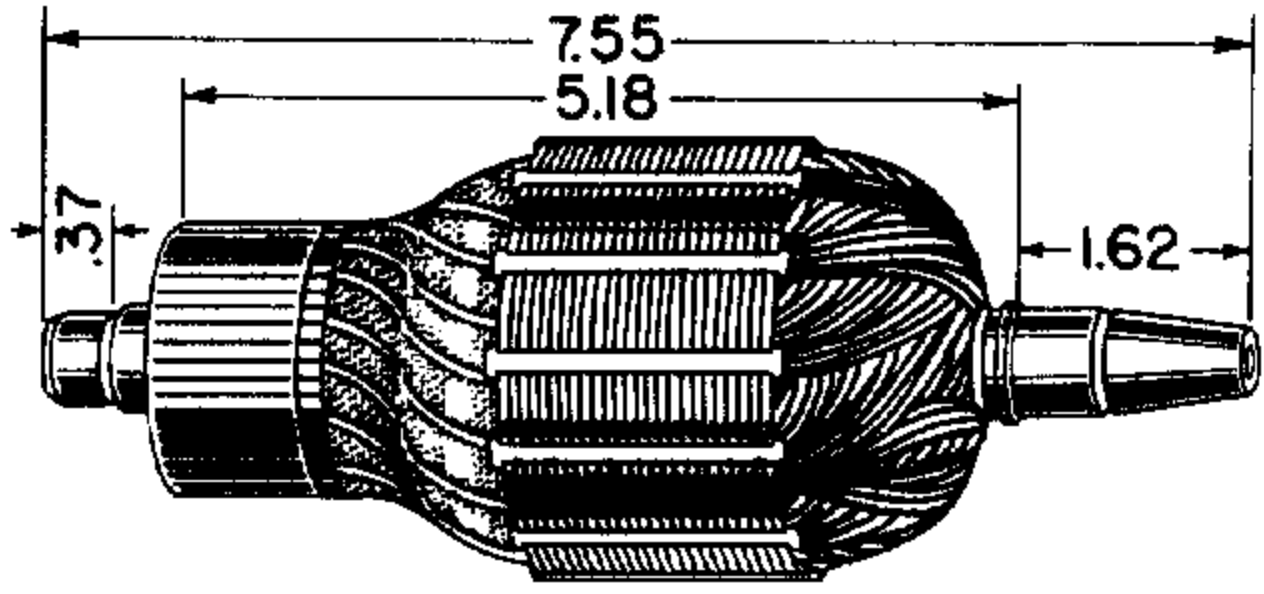


CHASSIS PARTS CATALOGUE

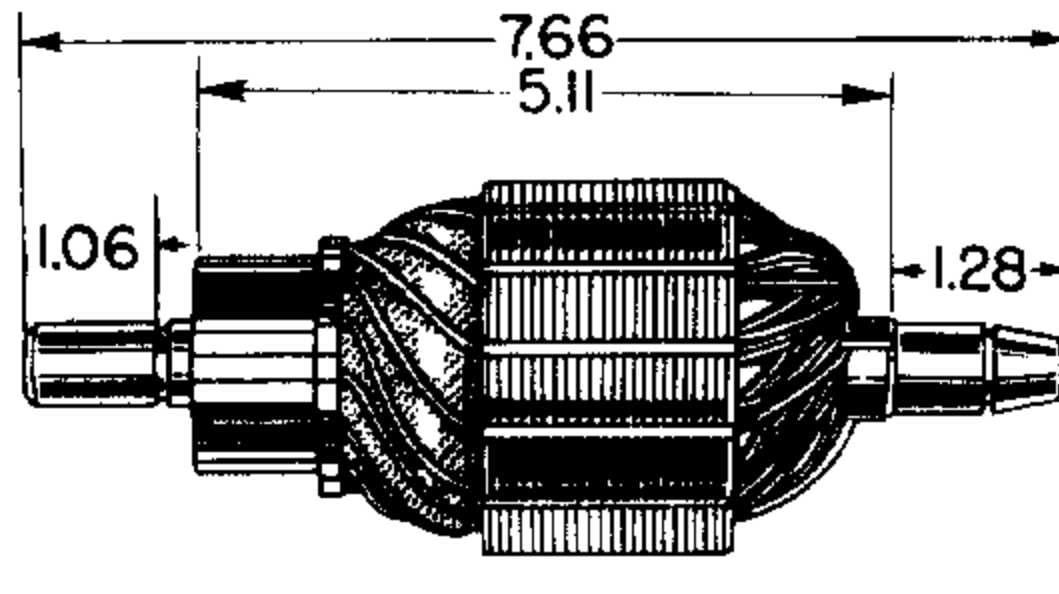
GENERATOR CHART

PART NUMBER	PART NAME	GENERATOR																	
		NUMBER REQUIRED																	
	351014-S Nut (pulley to armature) - 1/2" -20																		
	34944-S2 Washer-flat (pulley to armature) -1/2"																		
	34809-S8 Lockwasher-1/2"																		
	351124-S Nut (pulley to armature) - 21/32"																		
	351499-S Lockwasher-43/64"																		
	34032-S7 Nut-1/2" -20																		
	72034-S Cotter pin (pulley to armature) -3/32" x 1"																		
	74175-S Key (pulley to armature) -5/8" x 5/32"																		
	34810-S7 Washer-9/16"																		
	74174-S Key (pulley to armature) -5/8" x 1/8"																		
18 10135	Collar (front end plate bearing adjusting)																		
18 10136	Snap ring (front end plate bearing adjusting collar)																		
18 10139	Plate assy (front end)																		
46 10139	Plate assy (front end)																		
40 10139-A	Plate assy (front end) -non ventilated-replaced by 40-10139-B																		
† 40 10139-B	Plate assy (front end) -ventilated																		
† 68 10139-B	Plate assy (front end)																		
78 10139	Plate assy (front end)																		
79 10139	Plate assy (front end)																		
01A 10139	Plate assy (front end) -replaced by 21A-10139-A or B																		
1GA 10139	Plate assy (front end) -use with B-10094-replaced by 7RA 10139-B																		
1NC 10139-A	Plate assy (front end) -use with B-10094-replaced by 1NC 10139-B																		
1NC 10139-B	Plate assy (front end) use with 7RA-10094																		

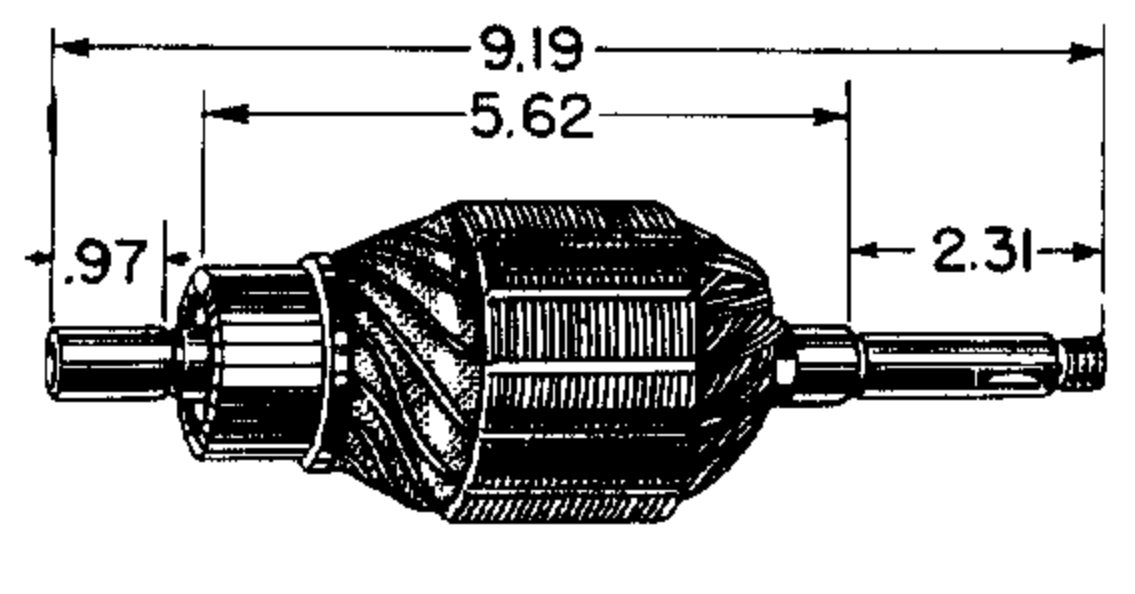
† No Longer Supplied



A-10005-B

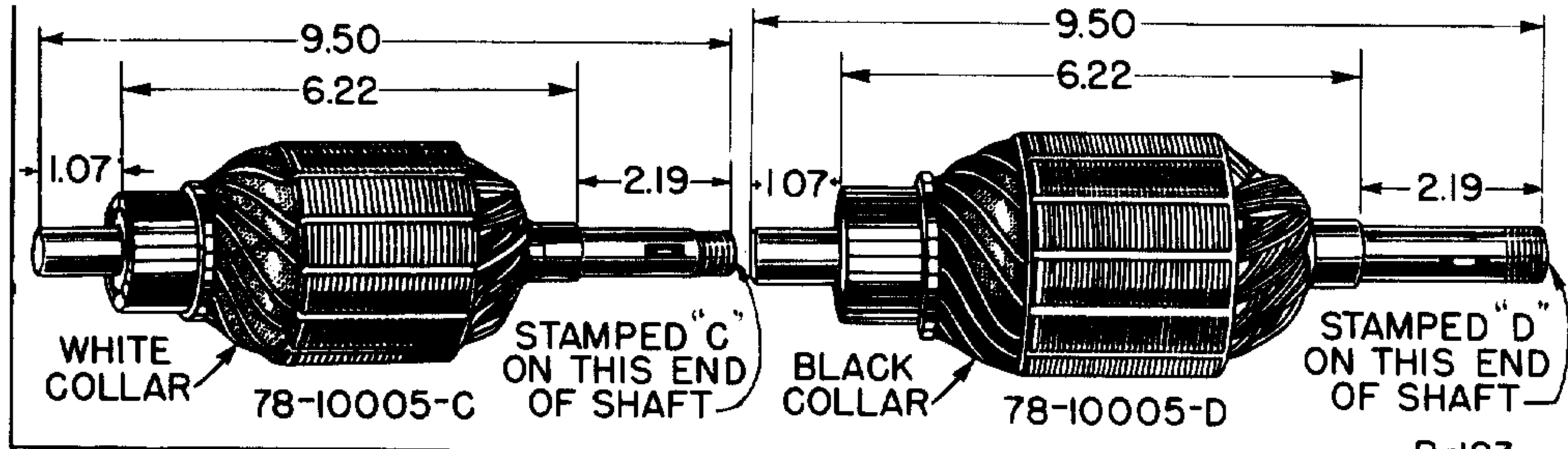


46-10005



18-10005

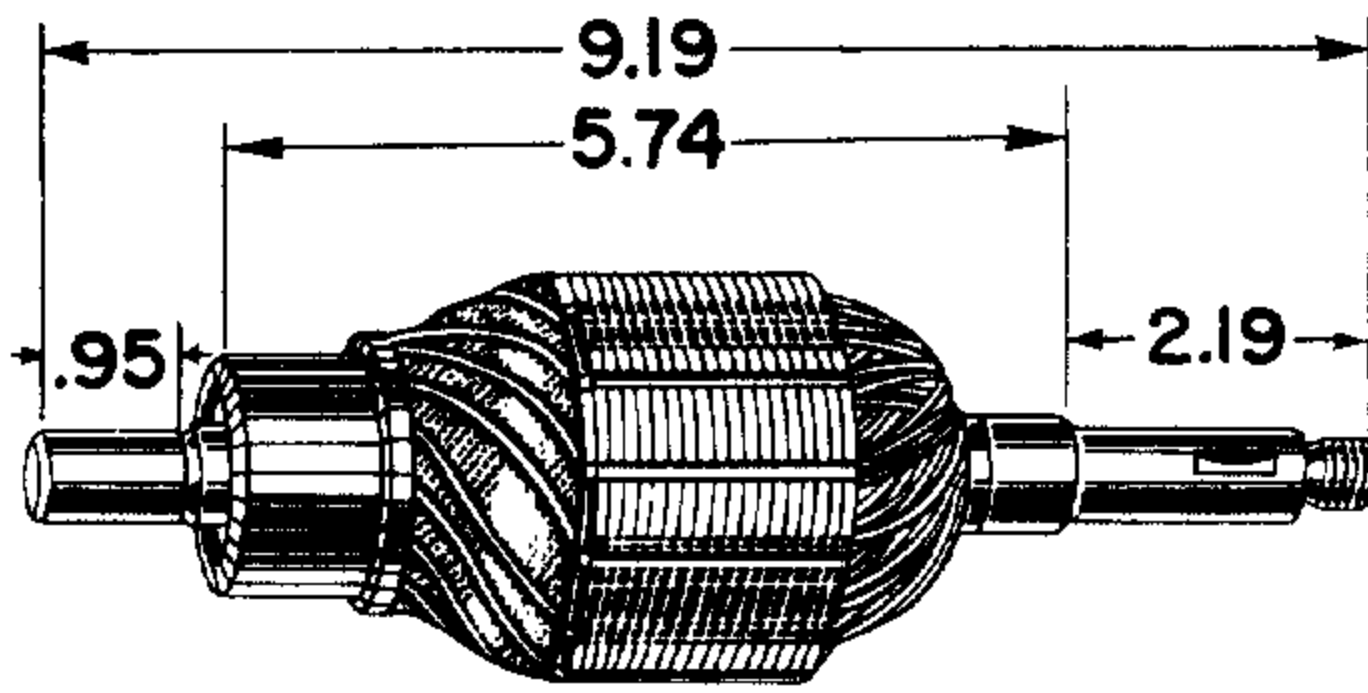
P-181



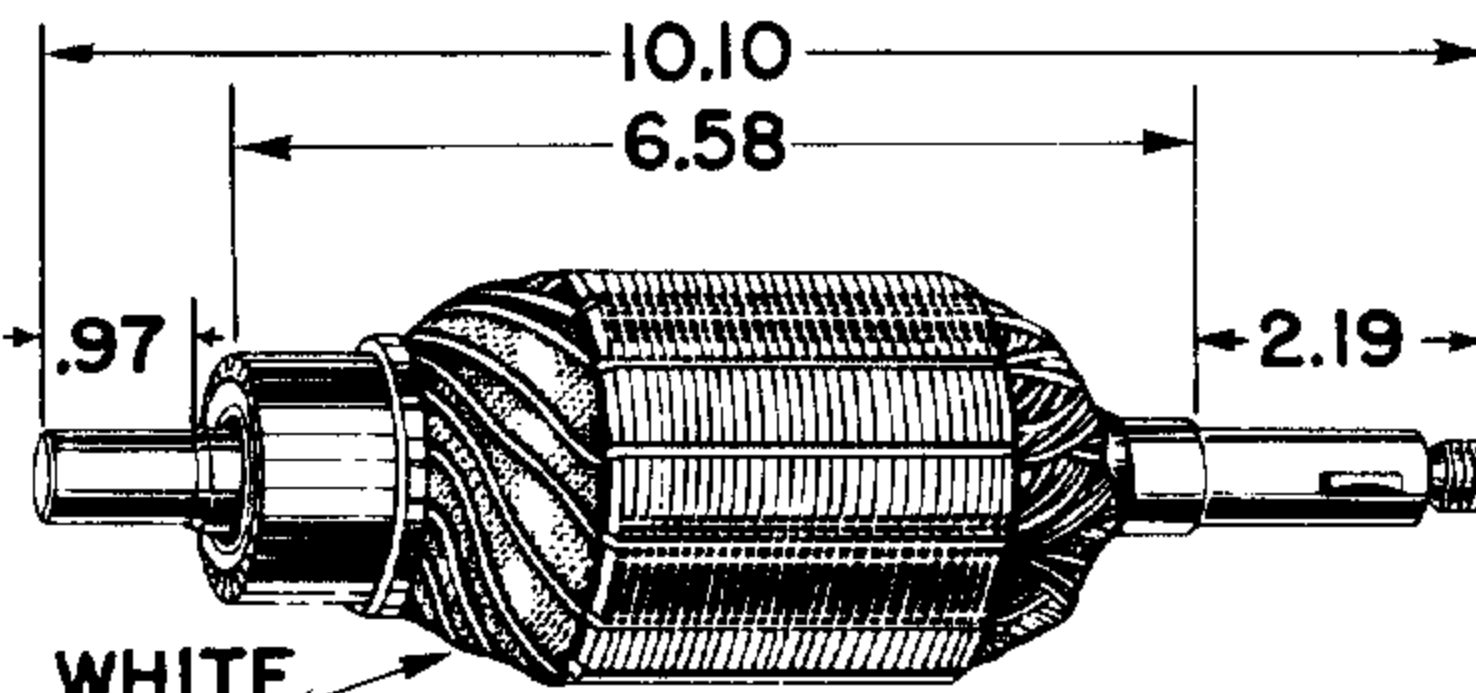
78-10005-C

78-10005-D

P-183

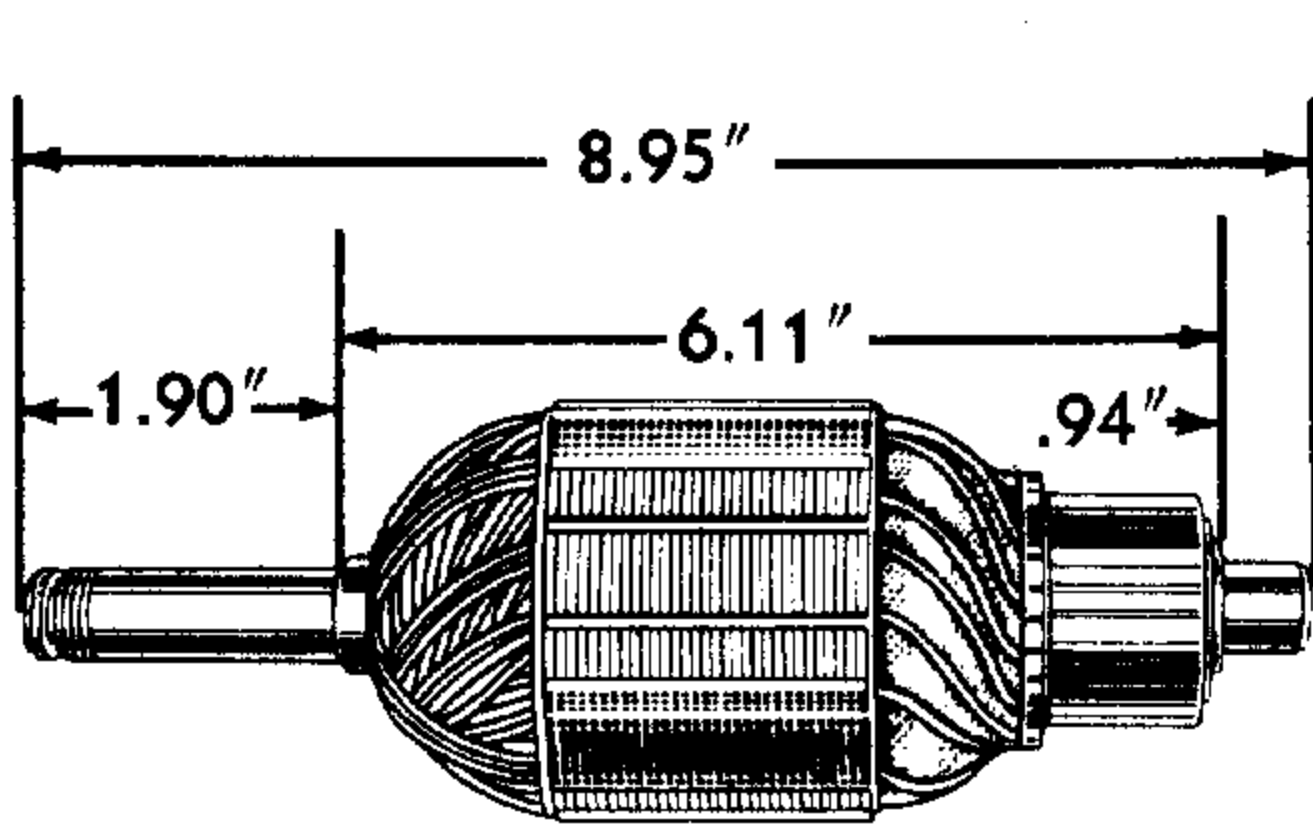


79-10005-A

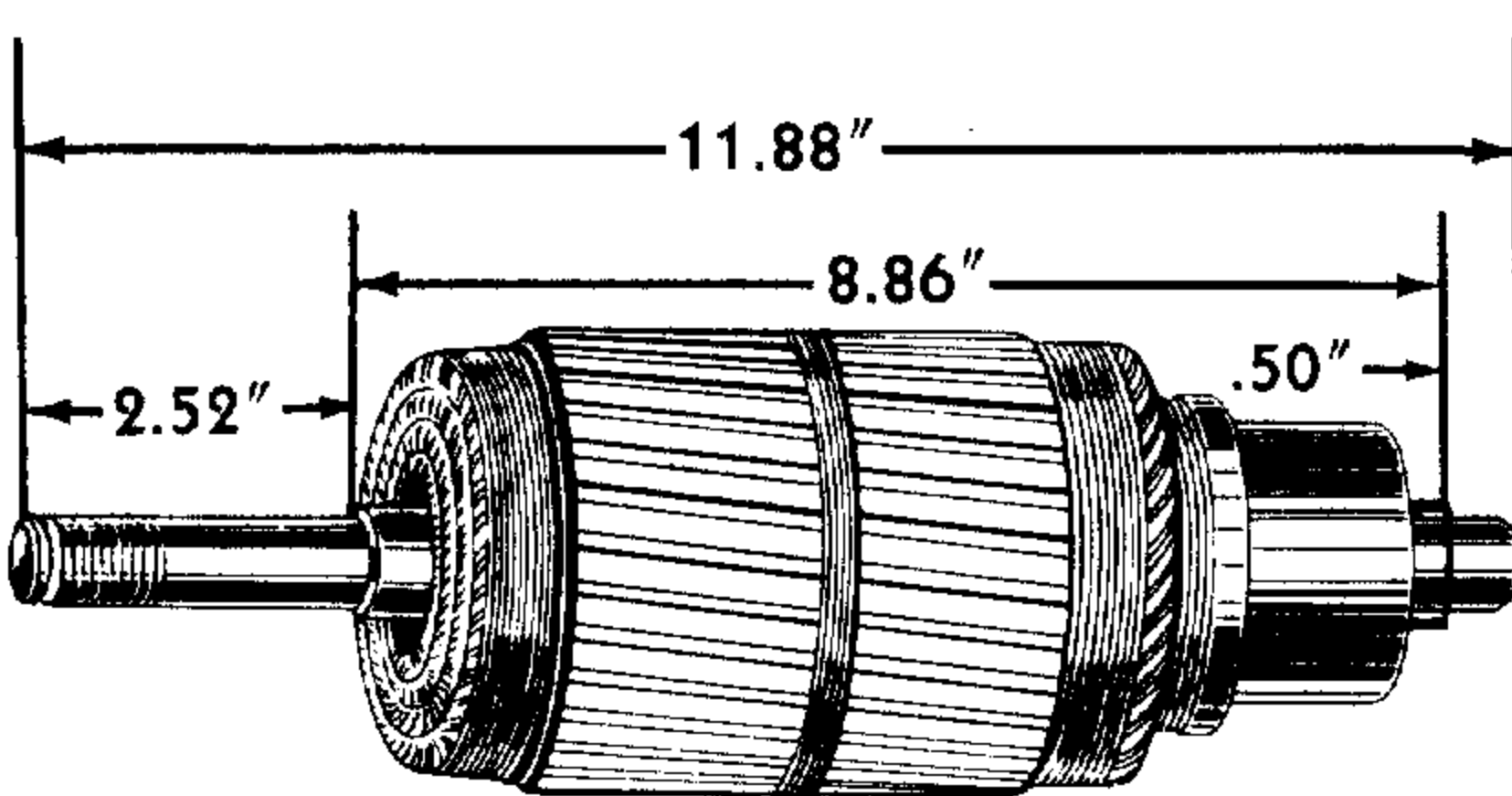


79-10005-HA

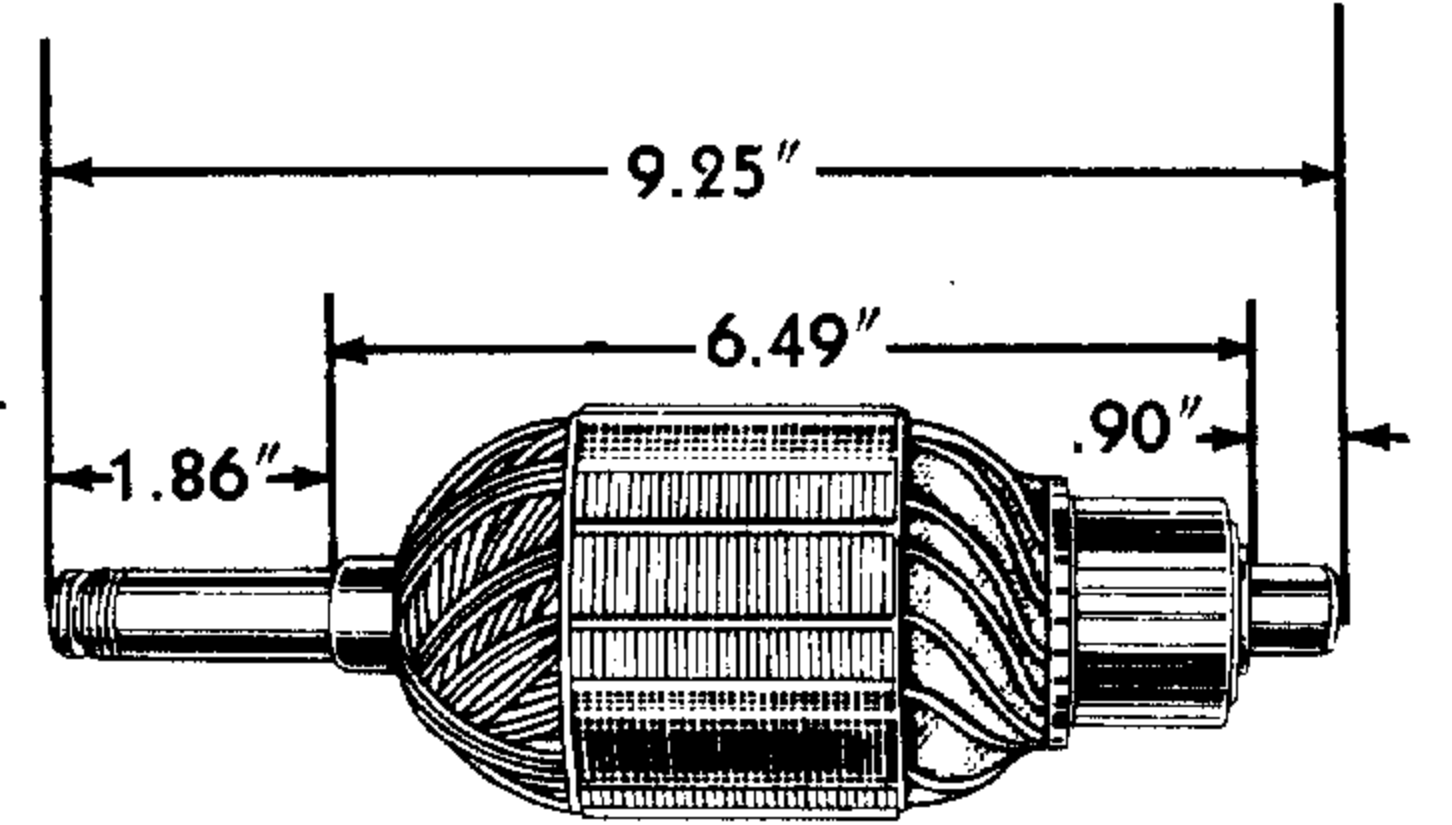
P-184



01A-10005-A

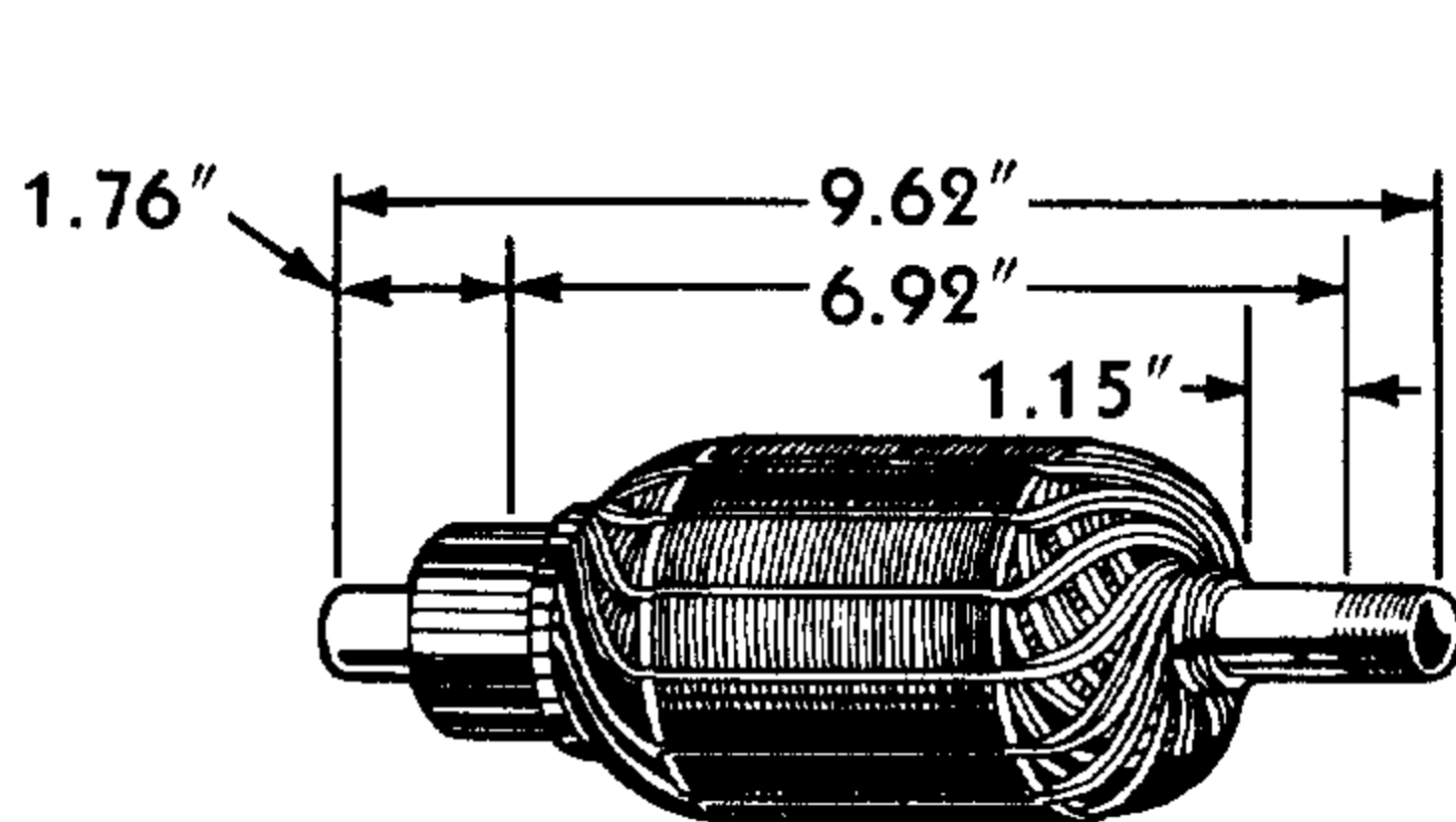


99B-10005-B

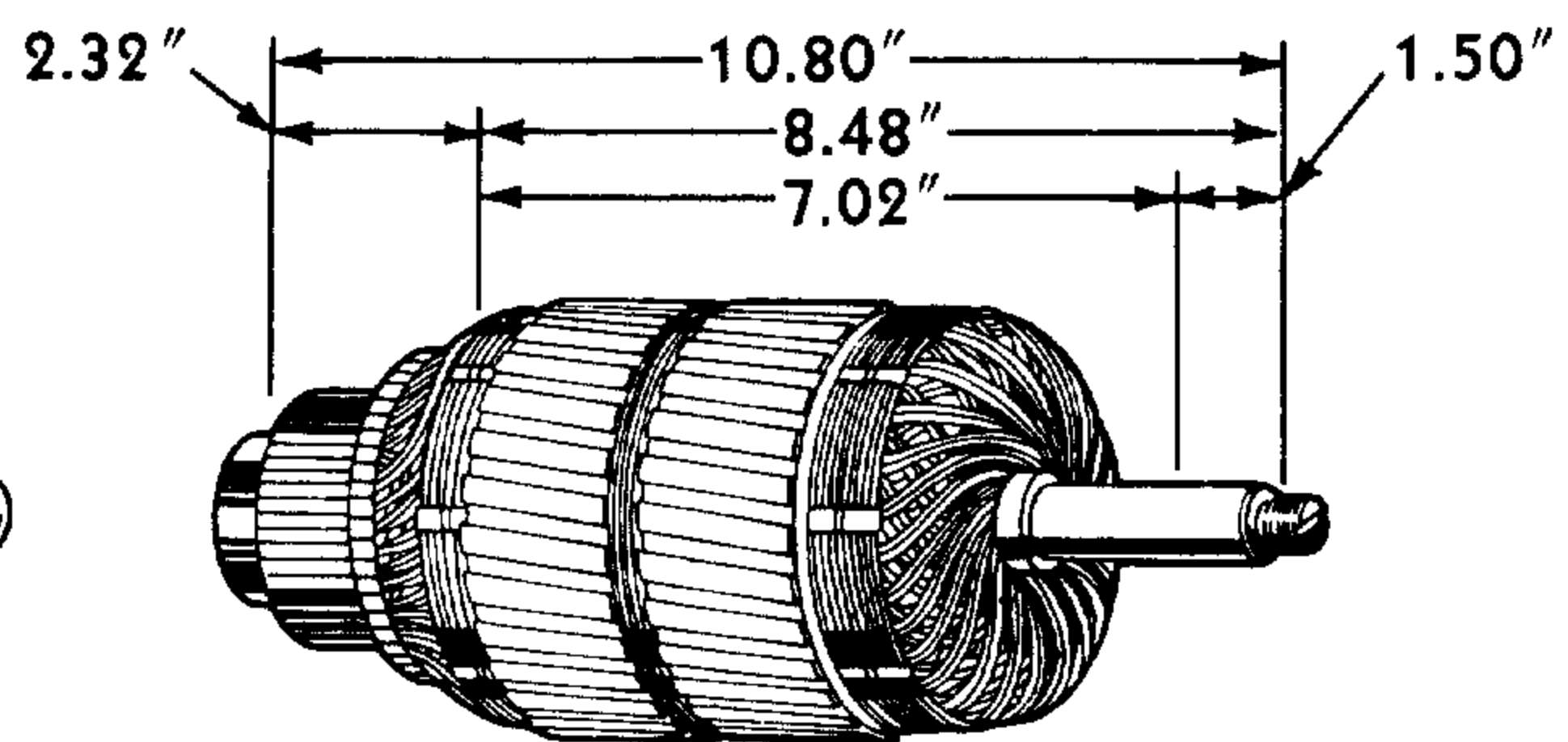


2GA-10005

P-387



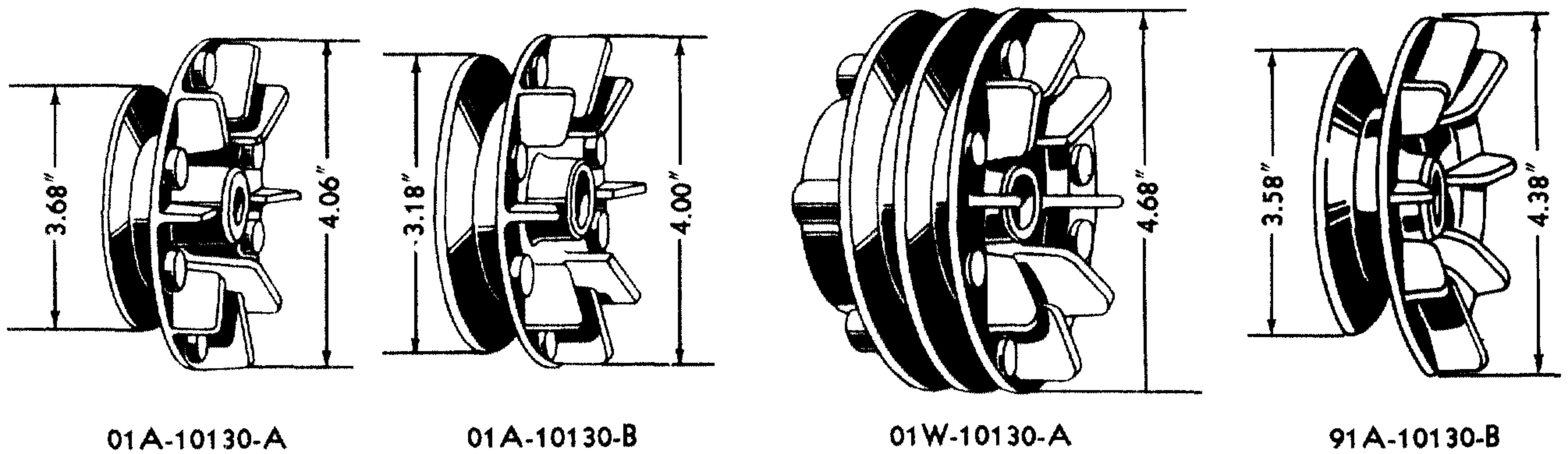
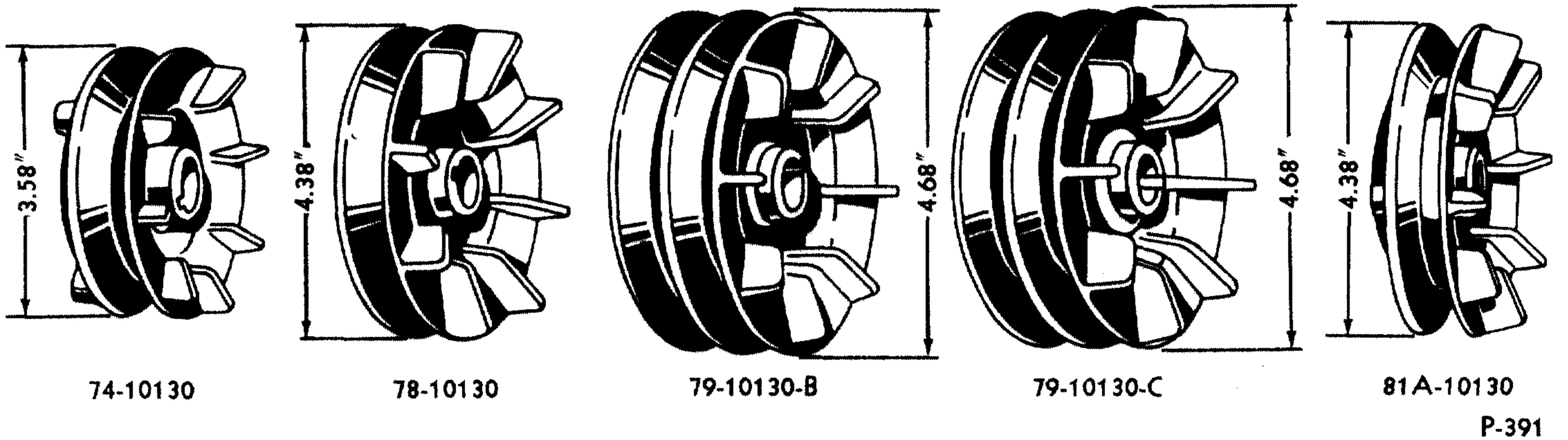
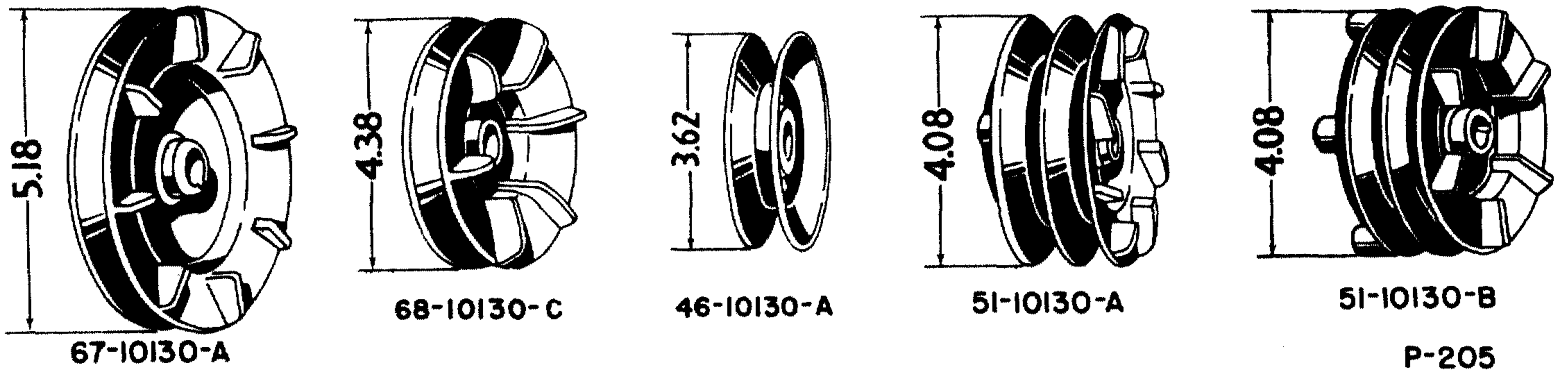
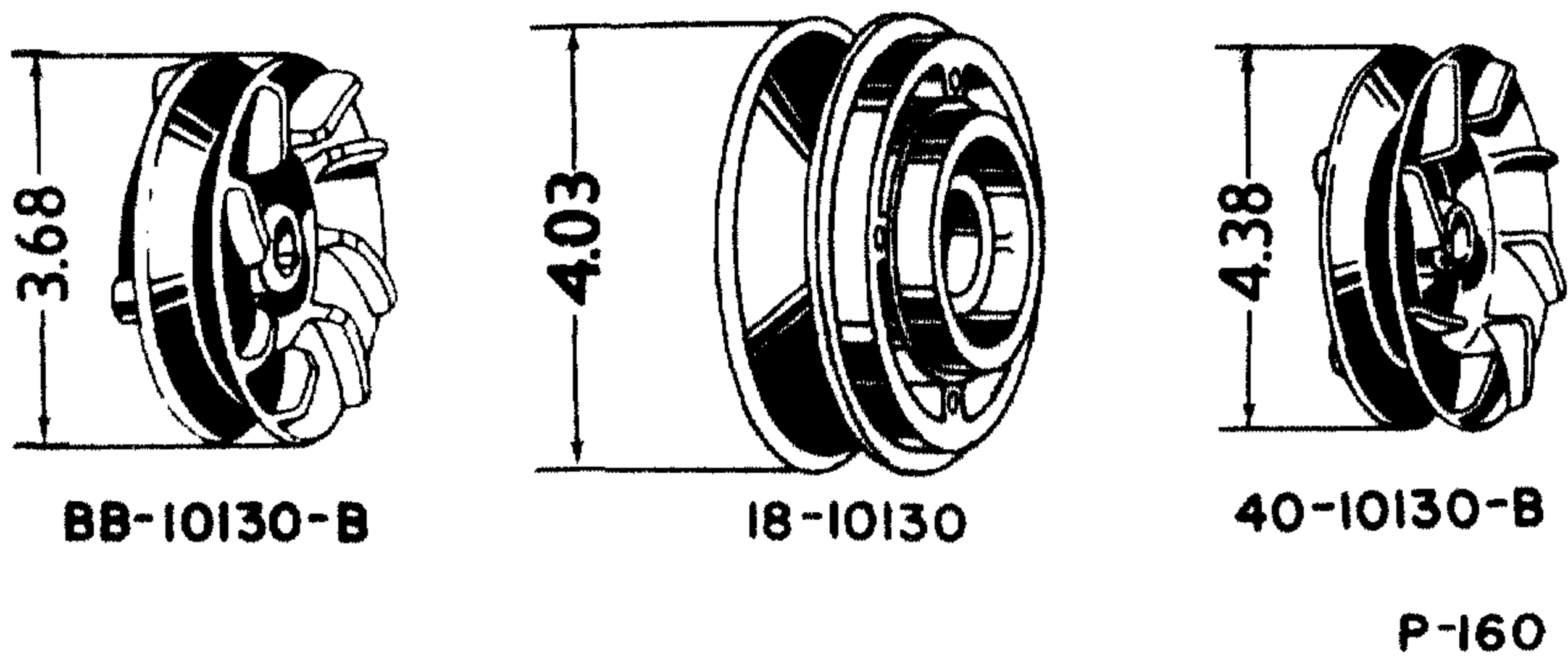
8EH-10005

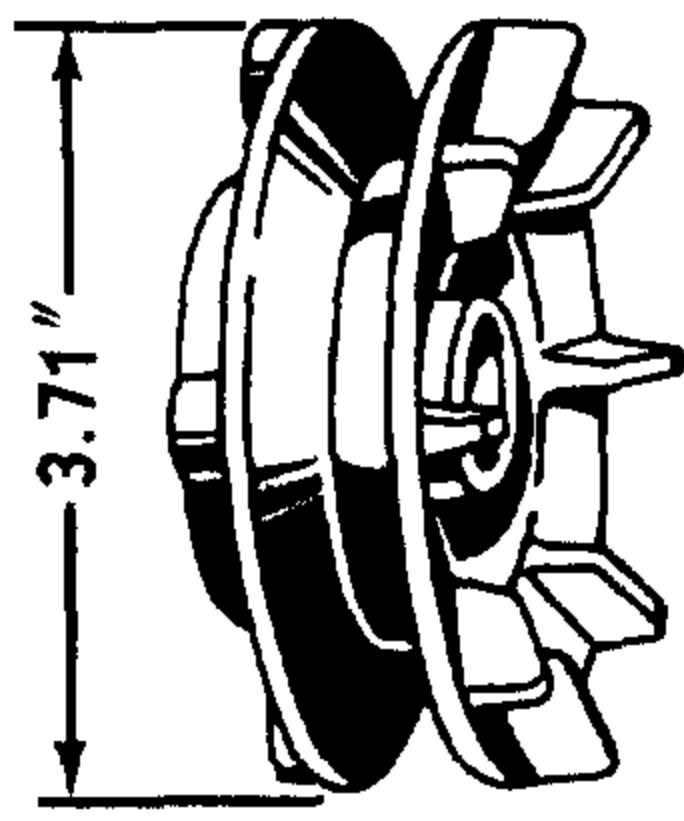


7HAS-10005

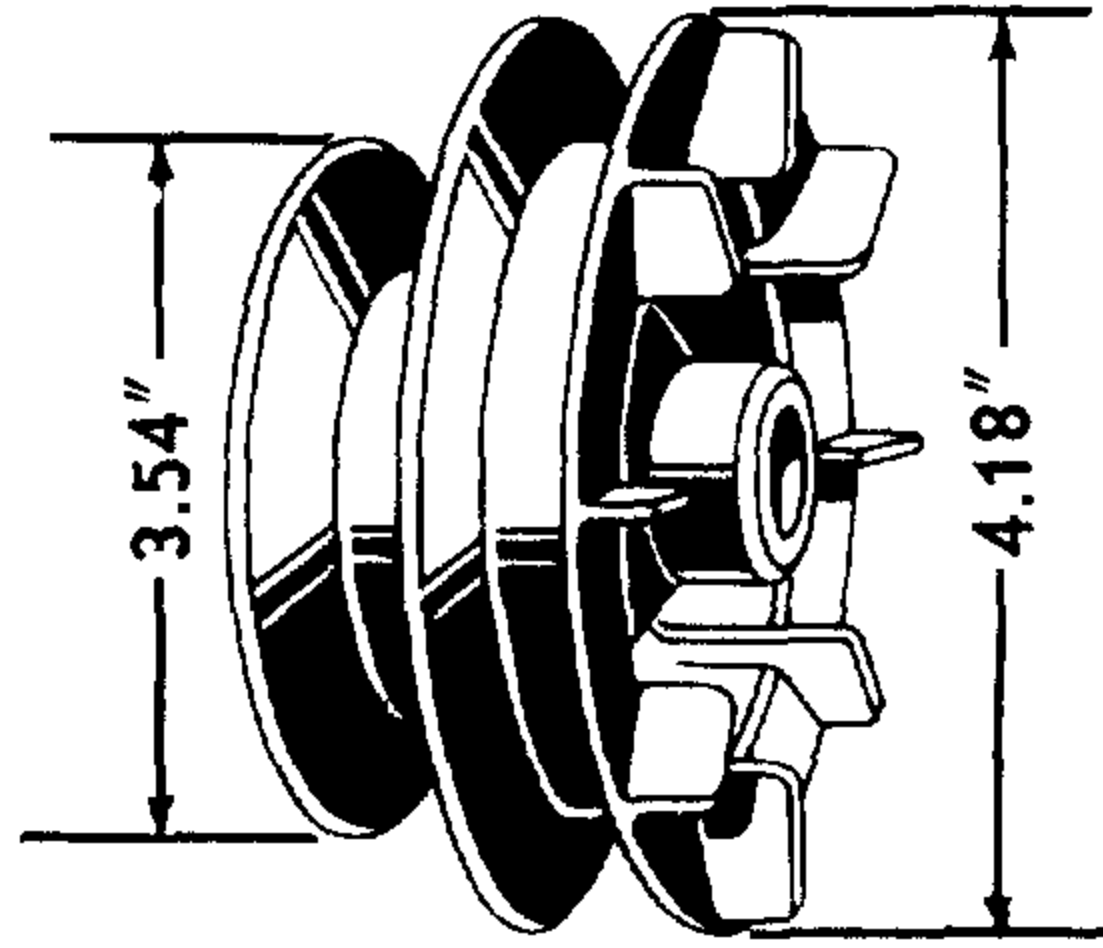
P-945

CHASSIS PARTS CATALOGUE

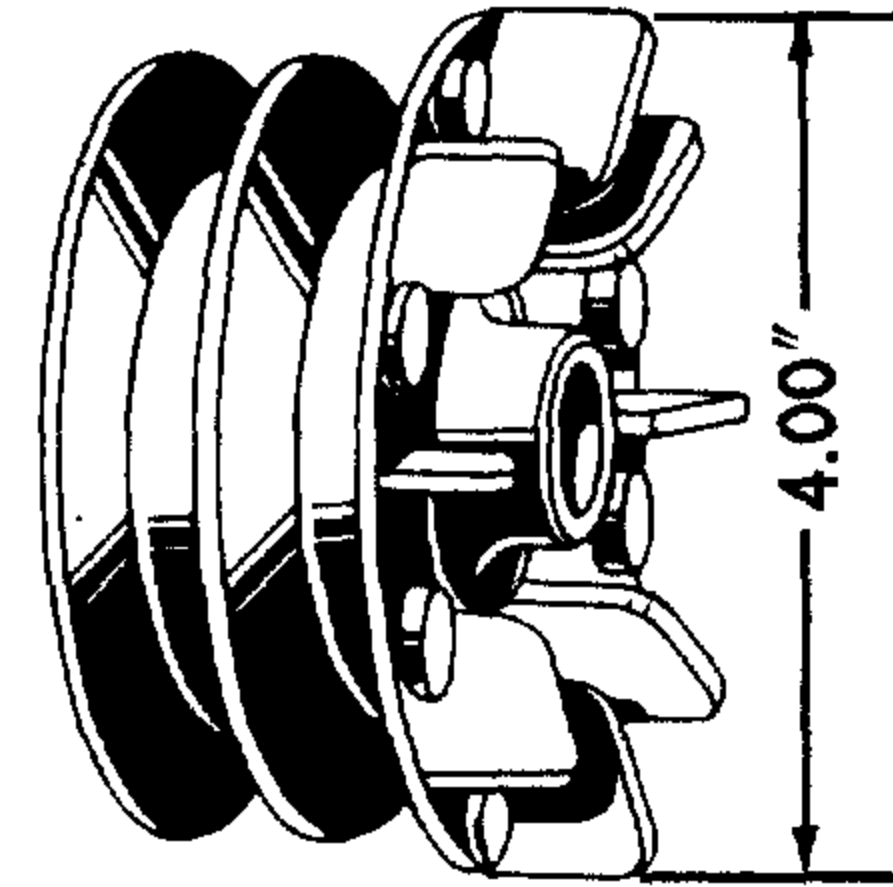




82A-10130

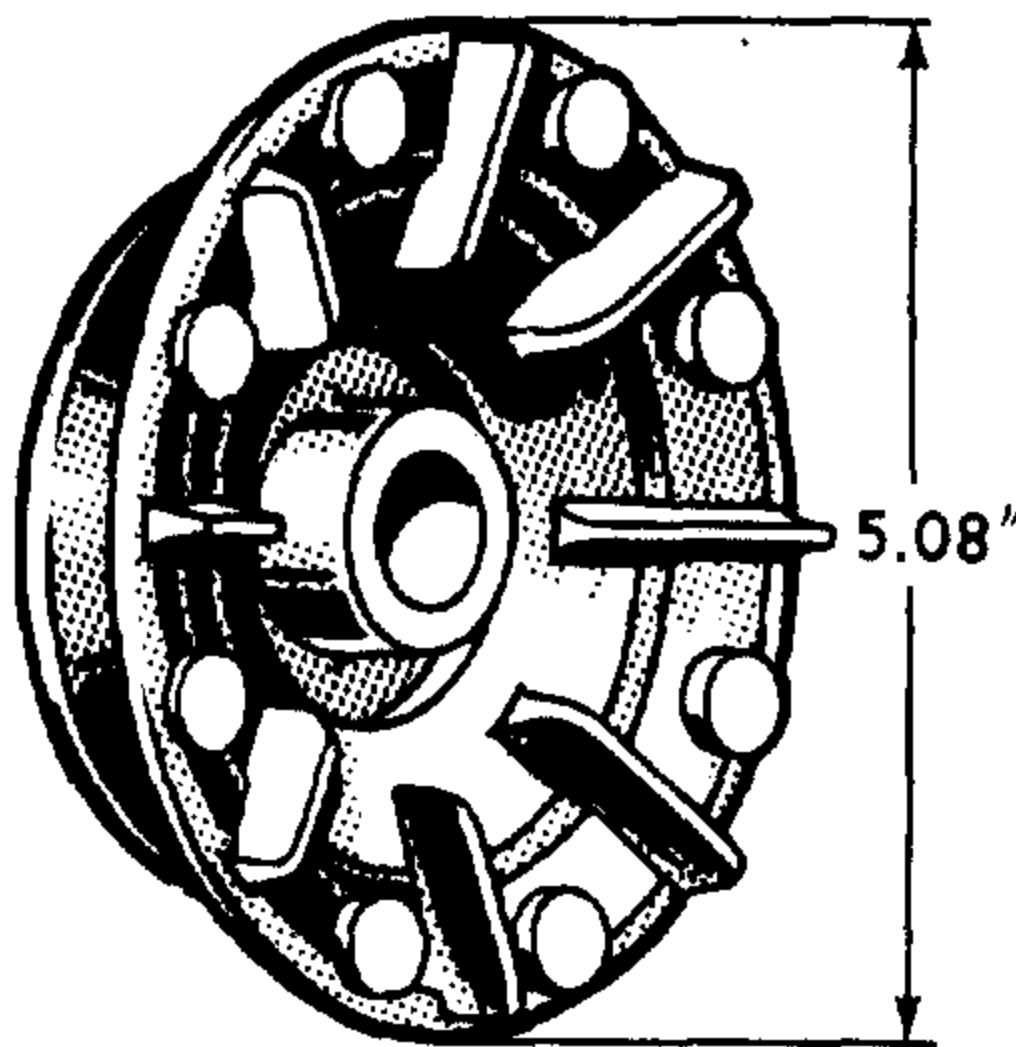


1GA-10130-C

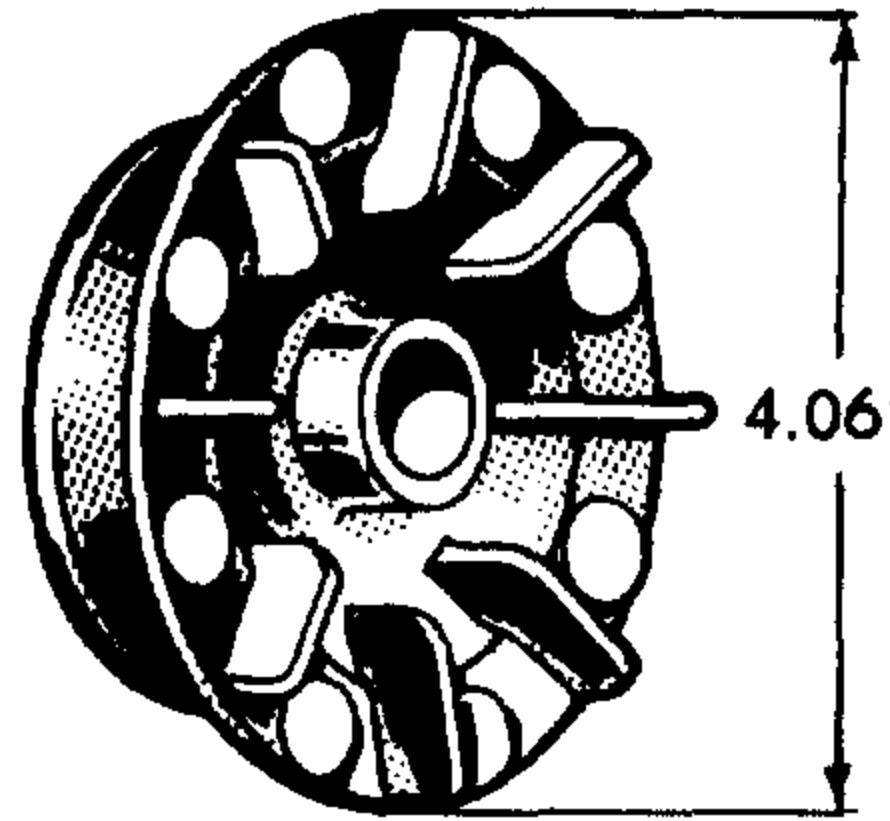


2GA-10130-B

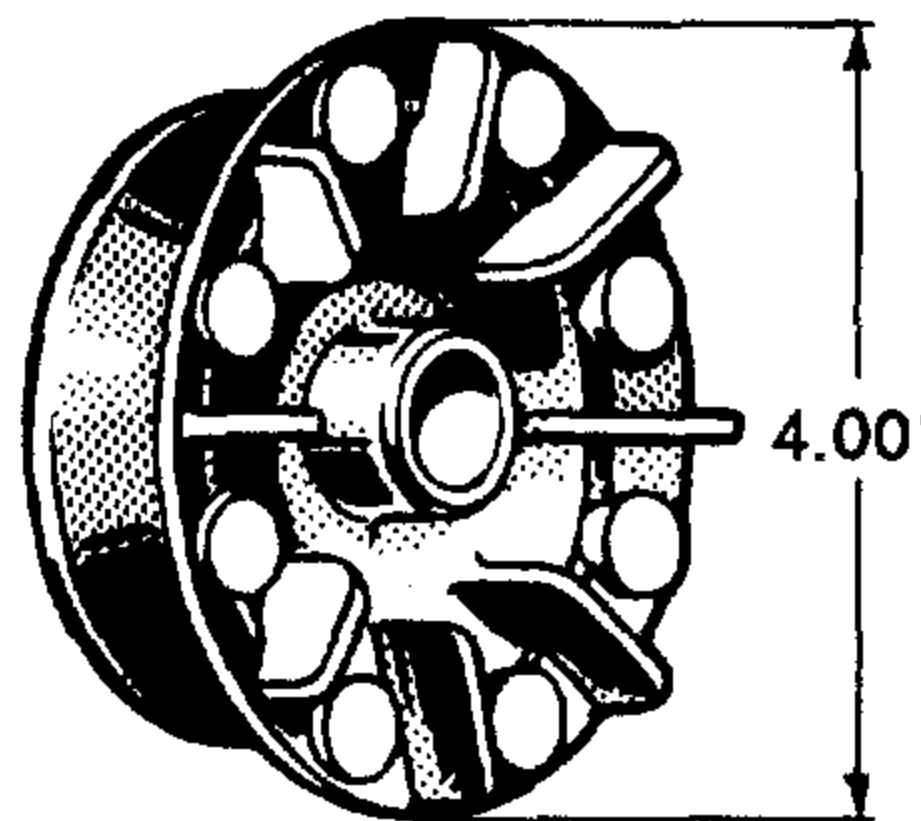
P-394



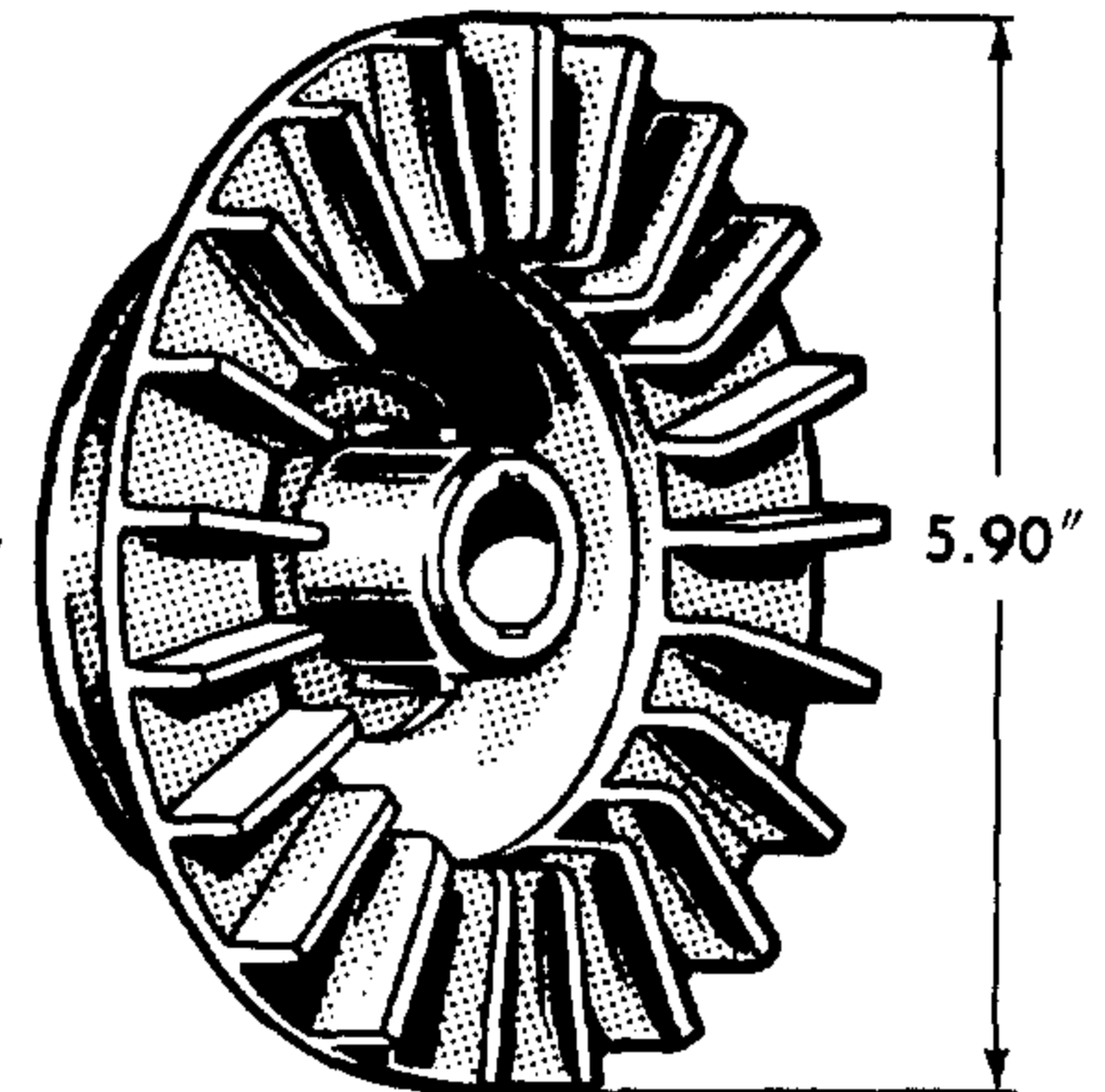
01AS-10130-B



01AS-10130-D

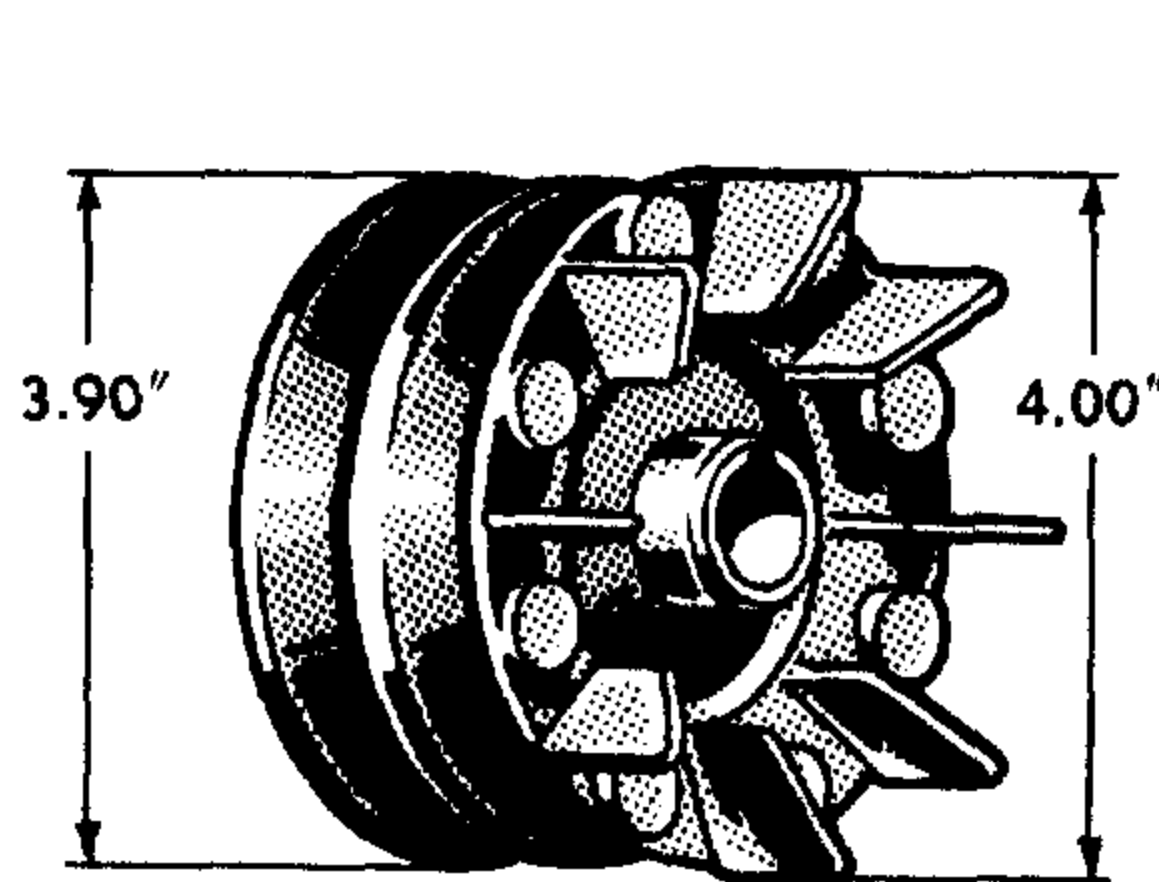


7-HA10130-B

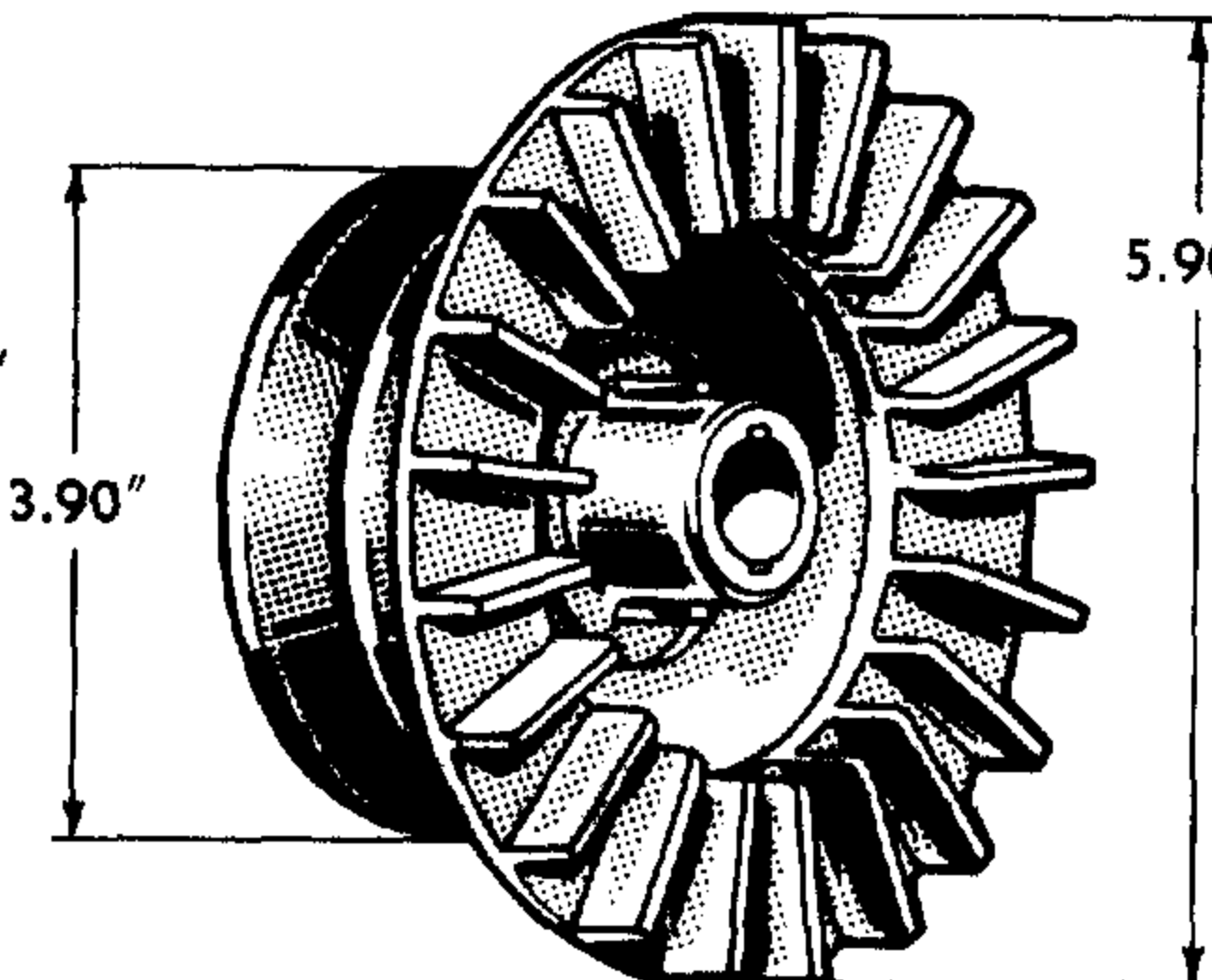


7HAS-10130

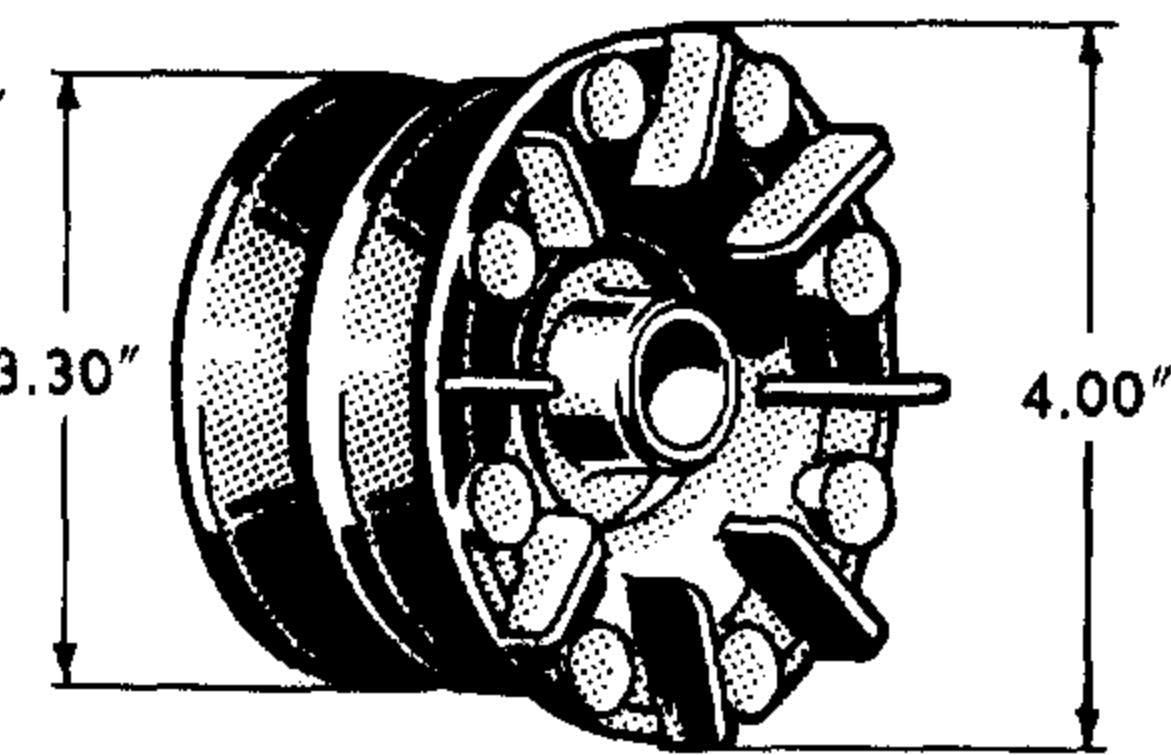
P-944



2GAS-10130-A

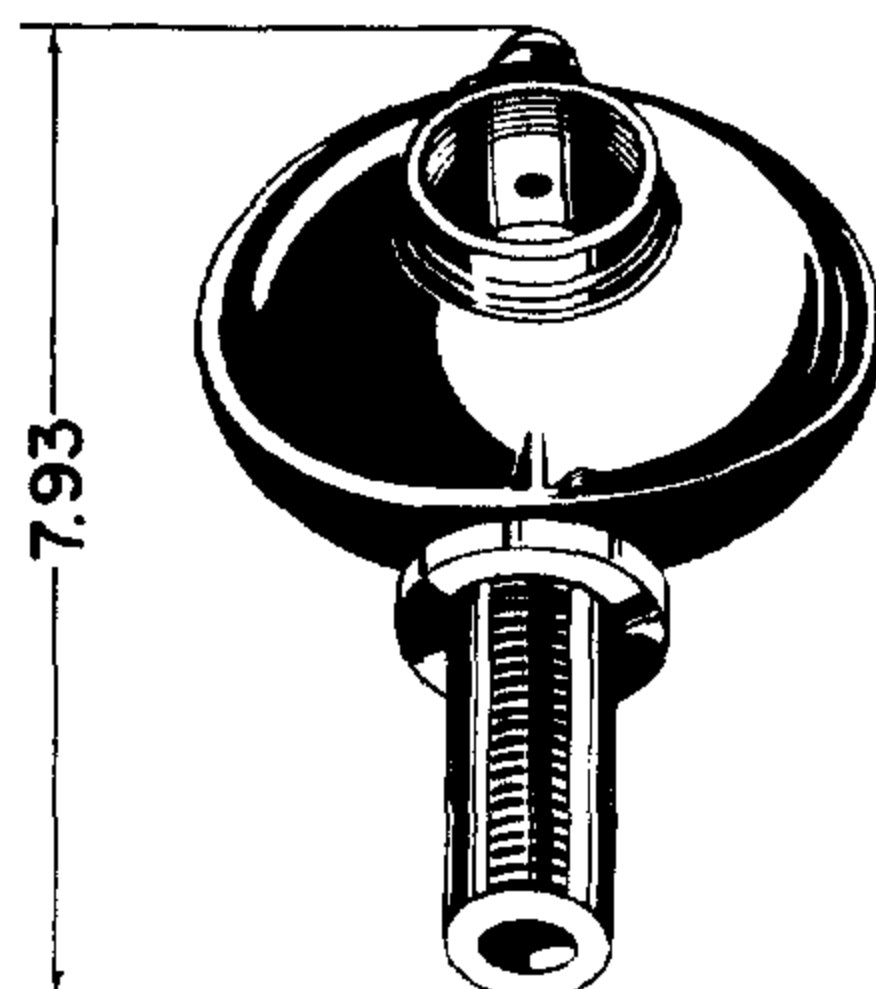


2GAS-10130-B

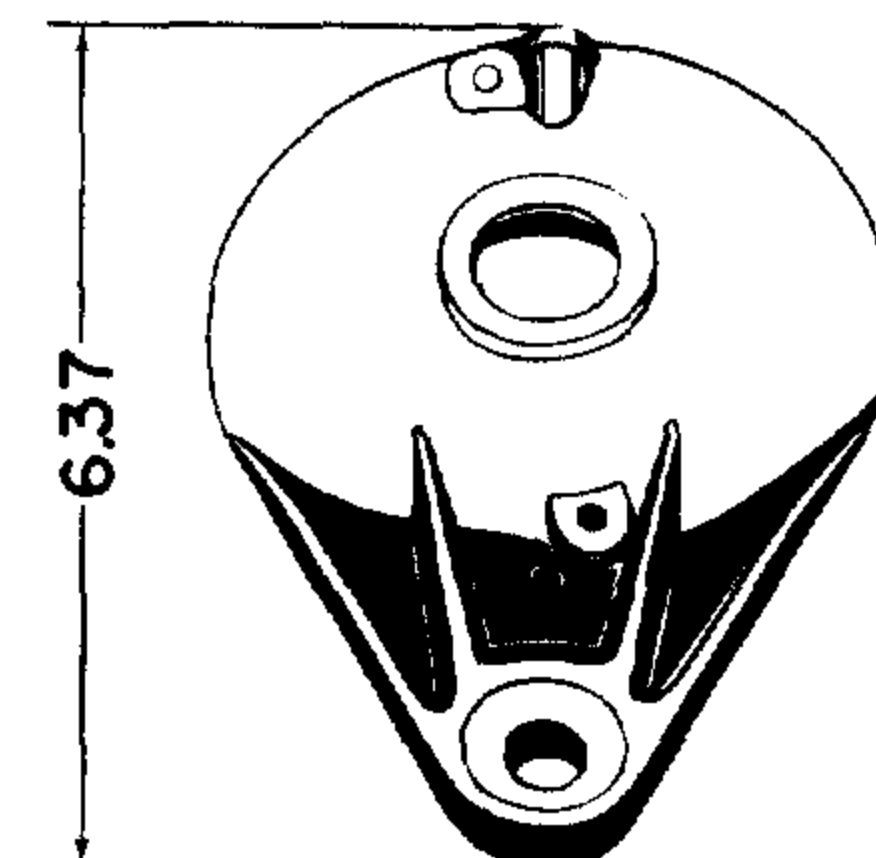


2GAS-10130-C

P-943

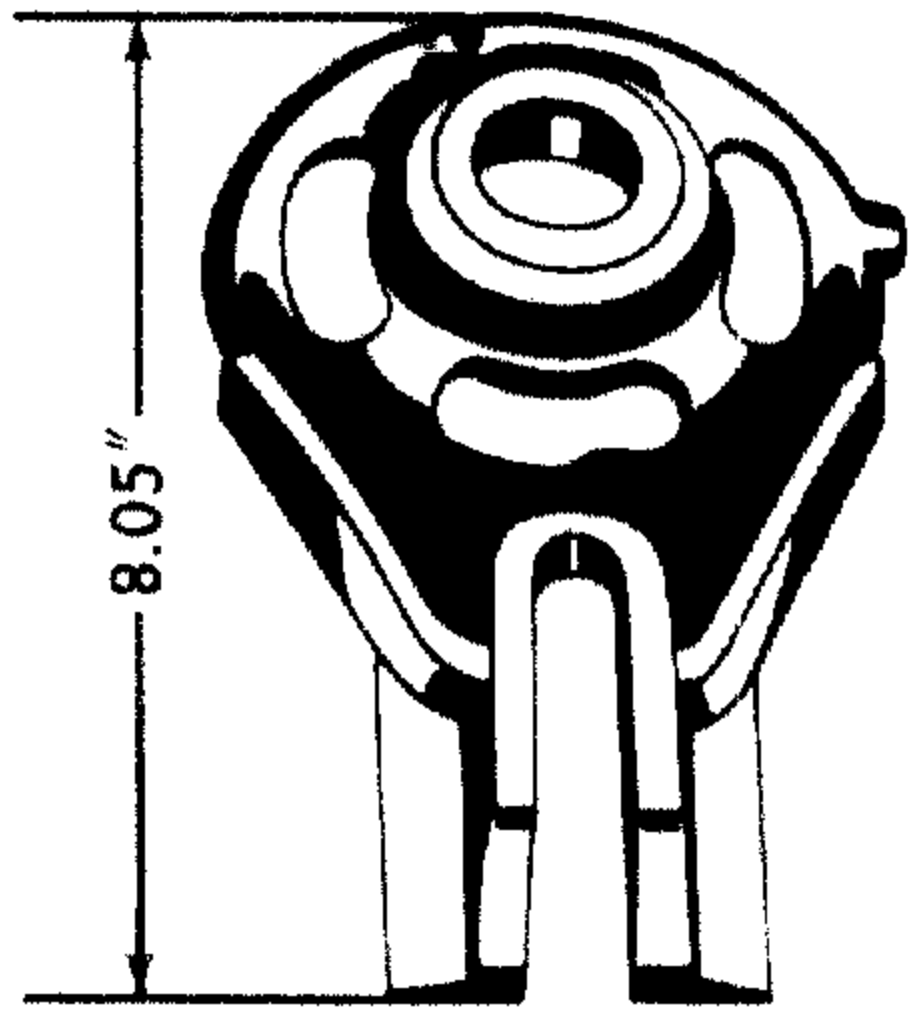


18-10139

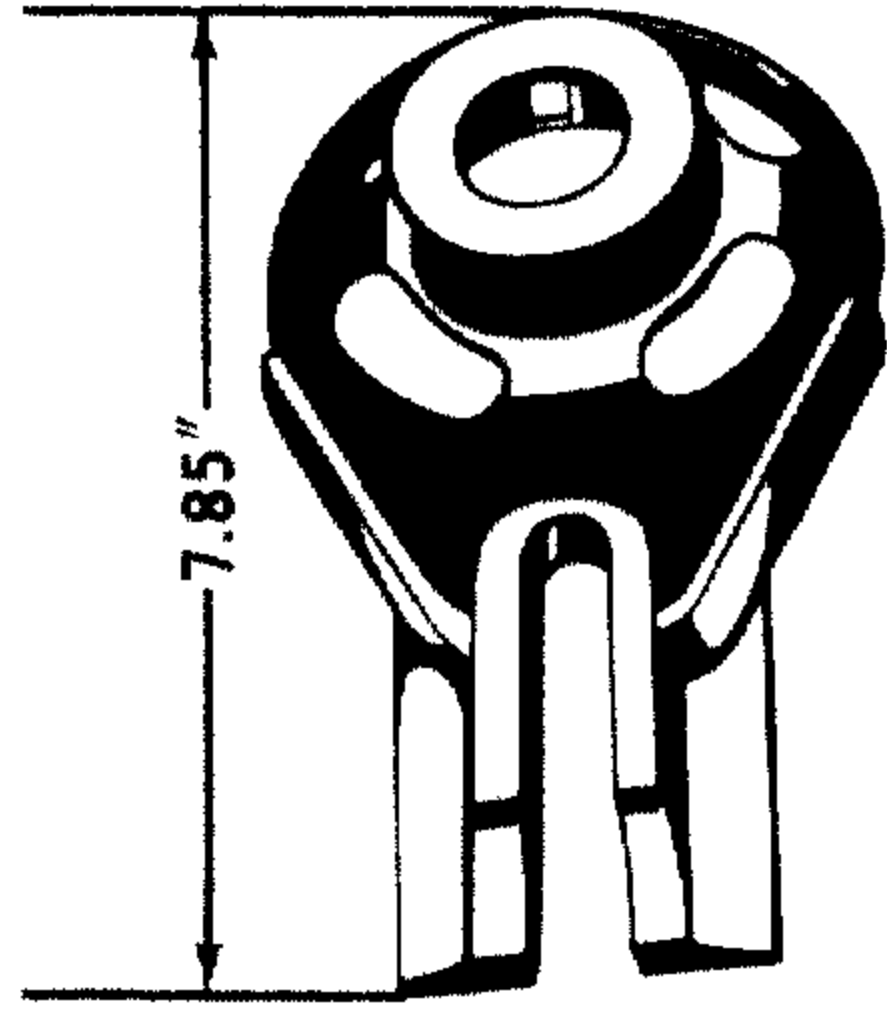


46-10139

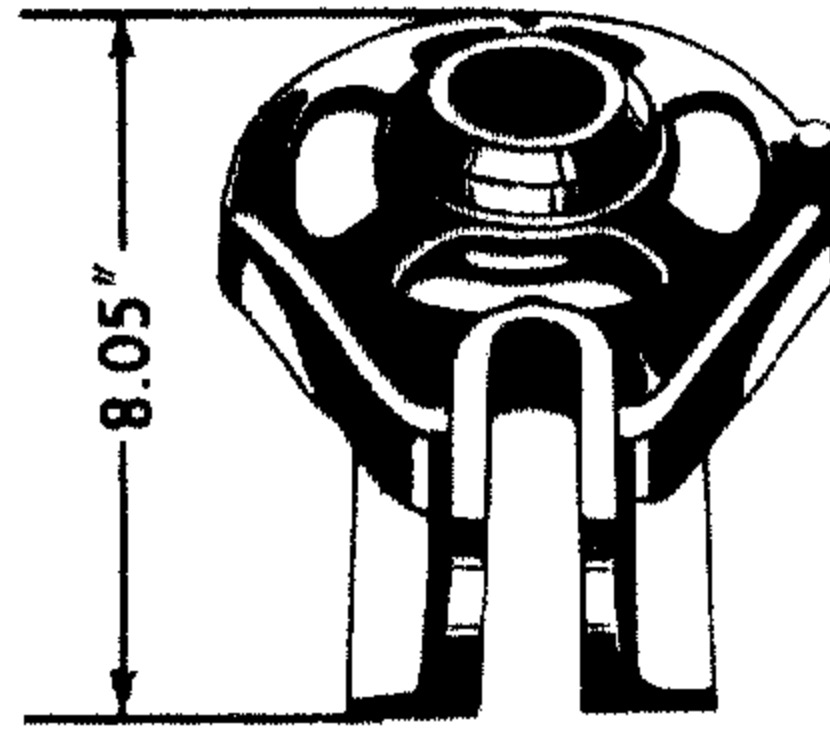
CHASSIS PARTS CATALOGUE



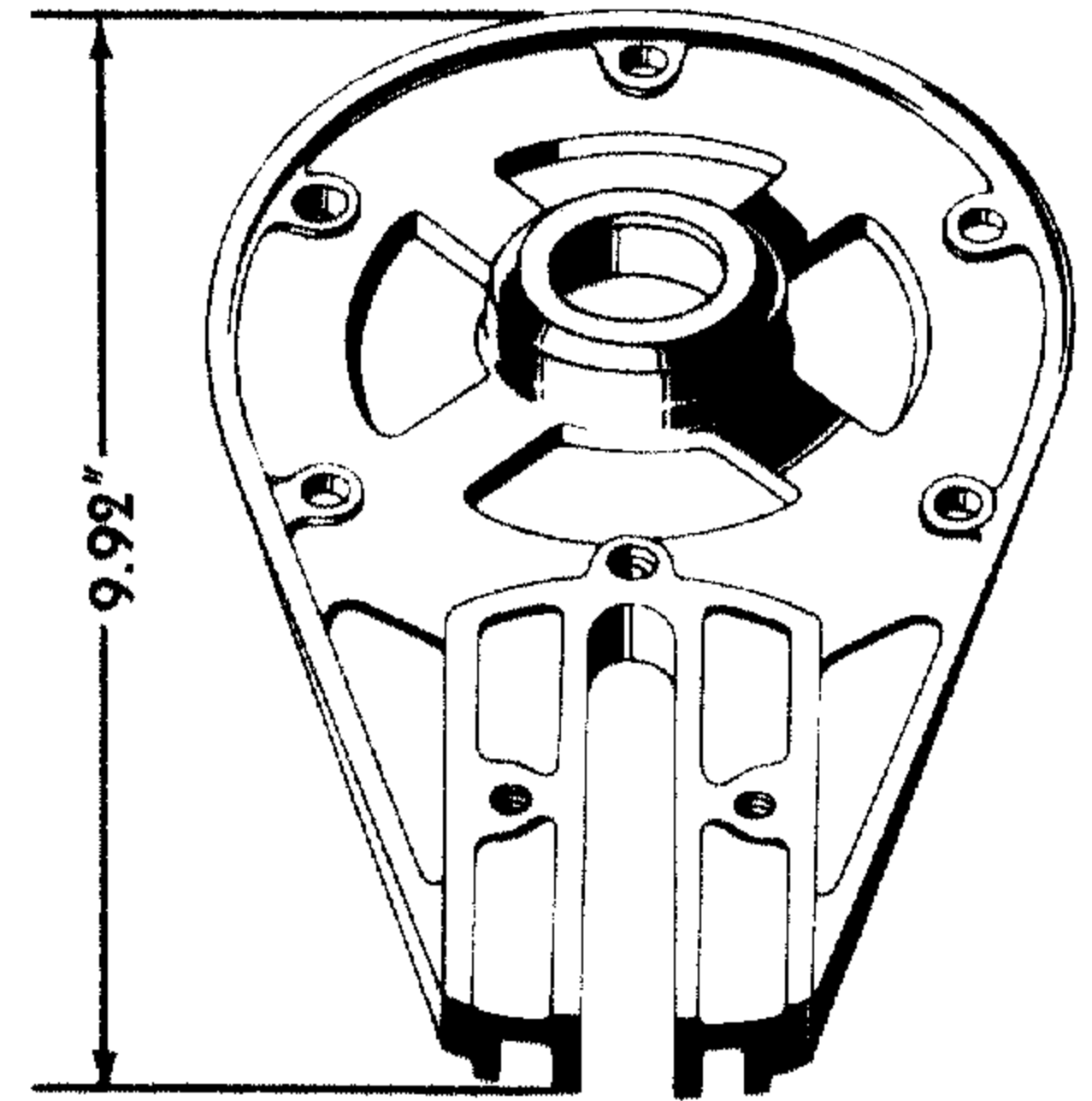
78-10139



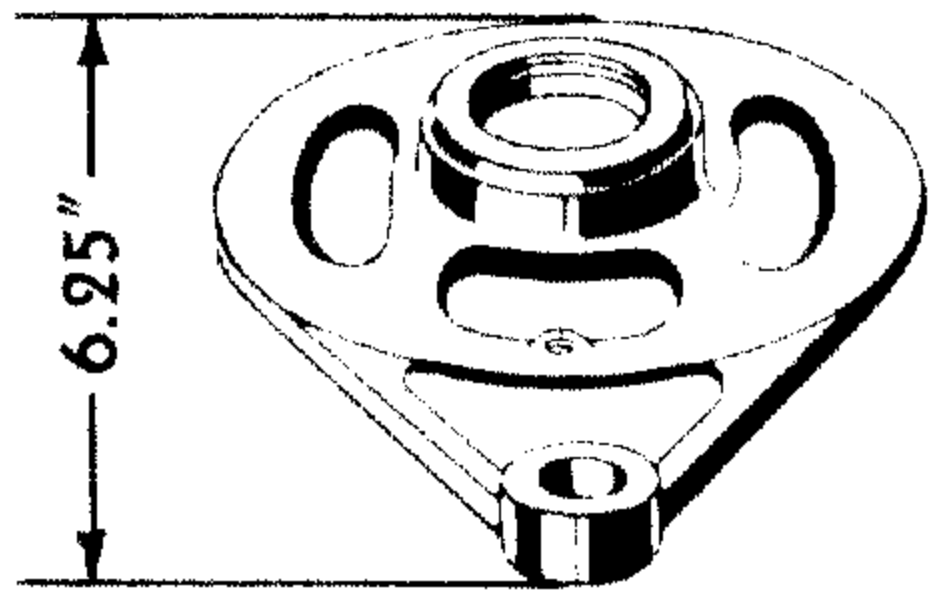
79-10139



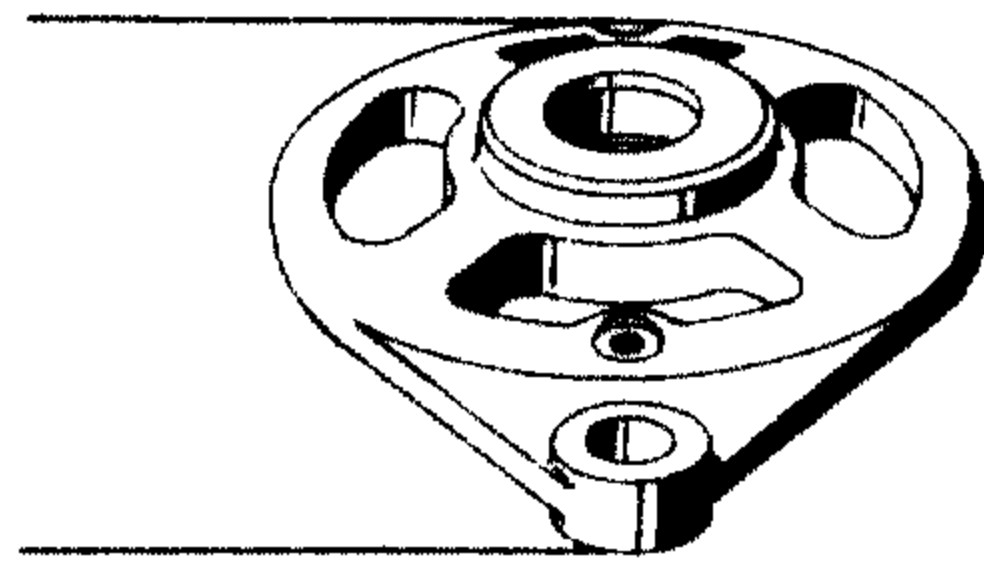
01A-10139



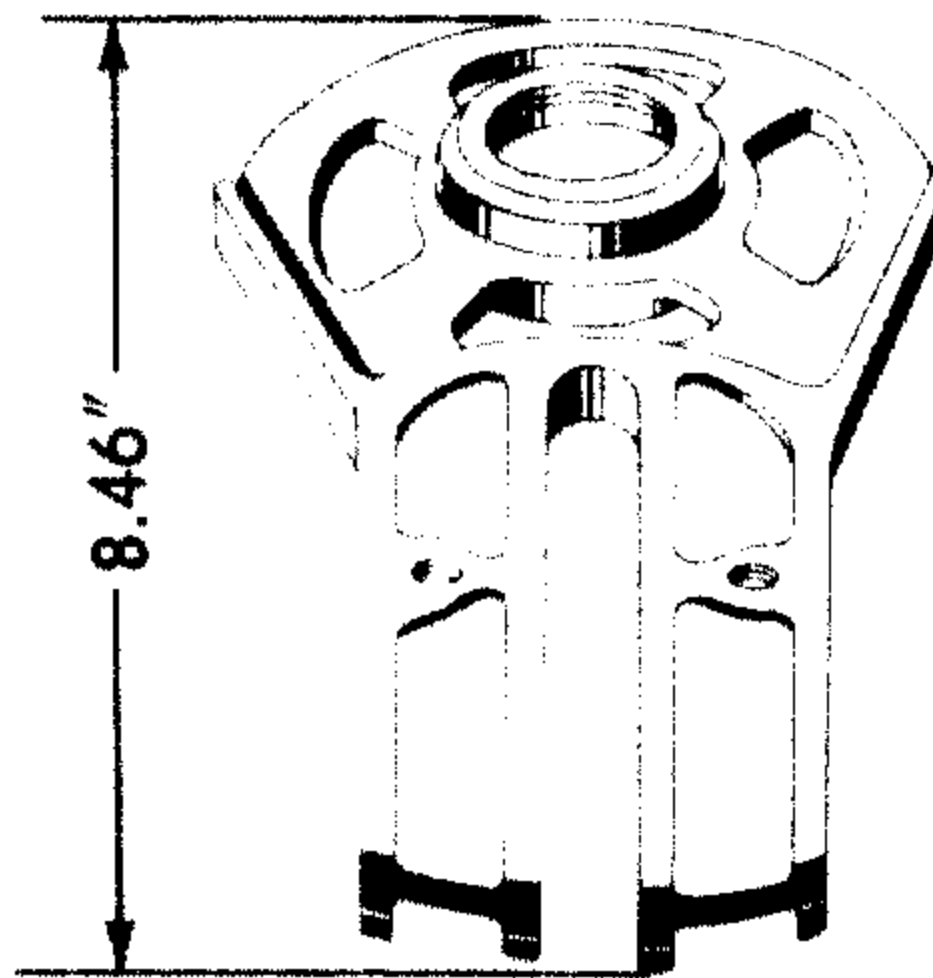
19B-10139



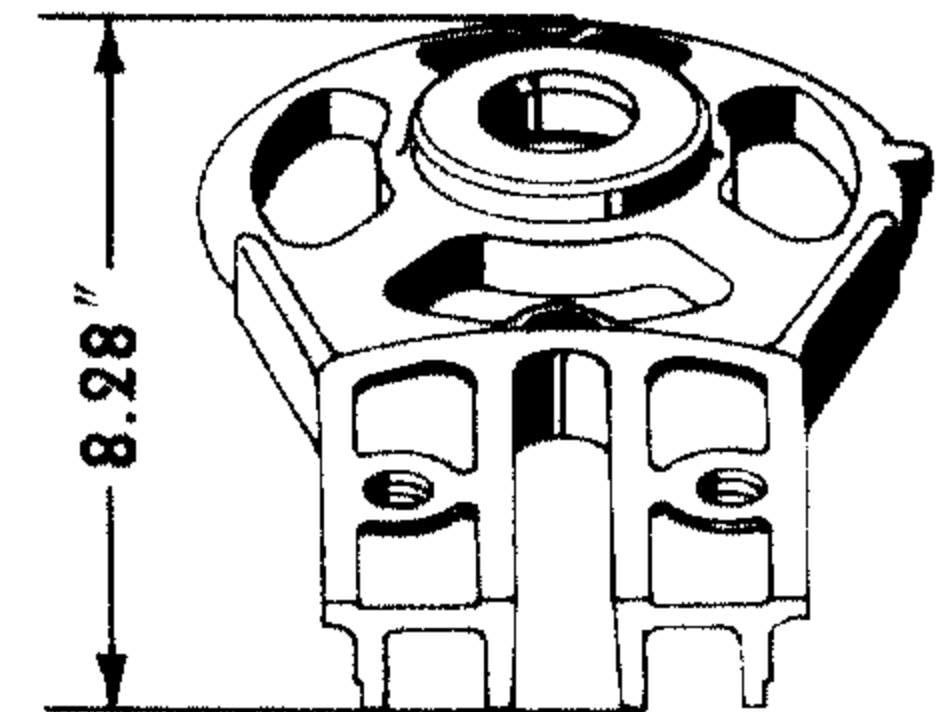
1NC-10139 -A



1NC-10139-B

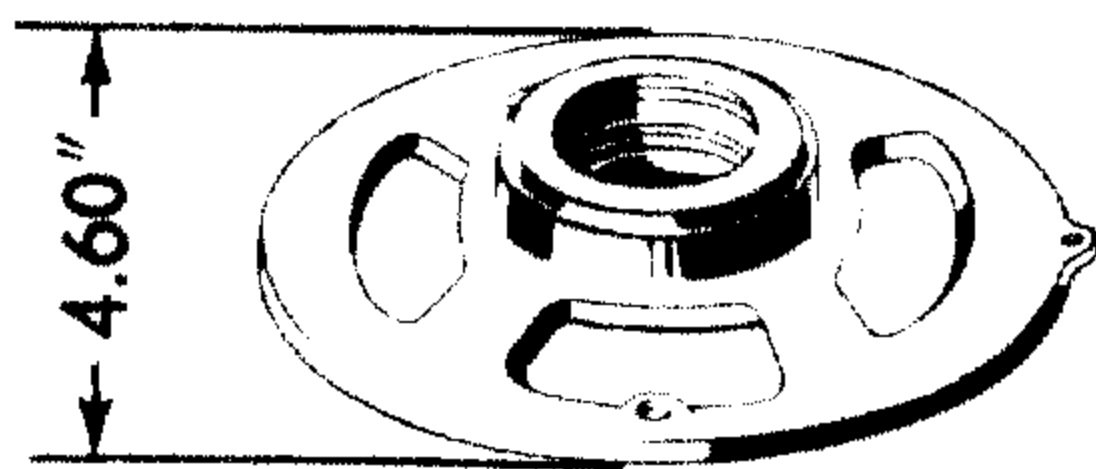


21A-10139 -A

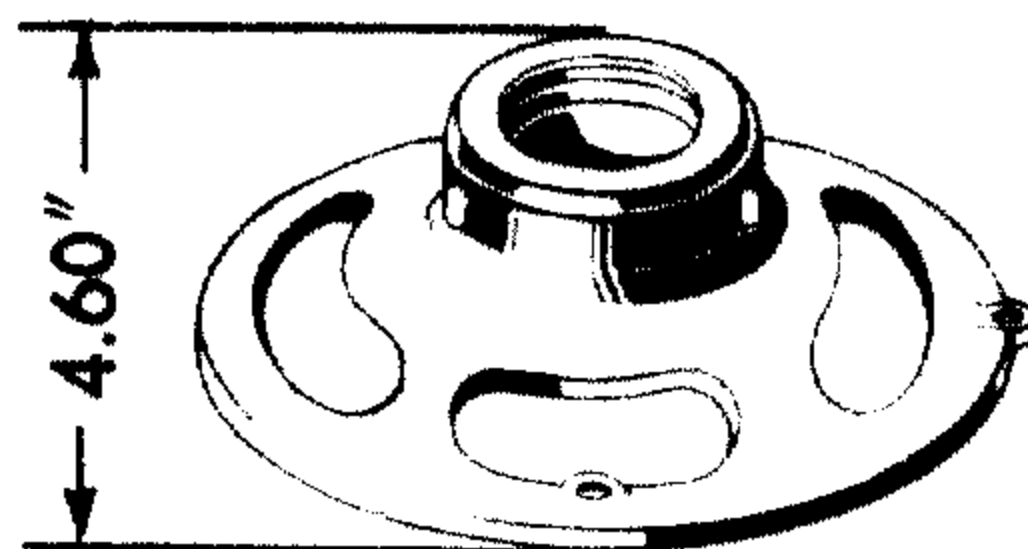


21A-10139-B

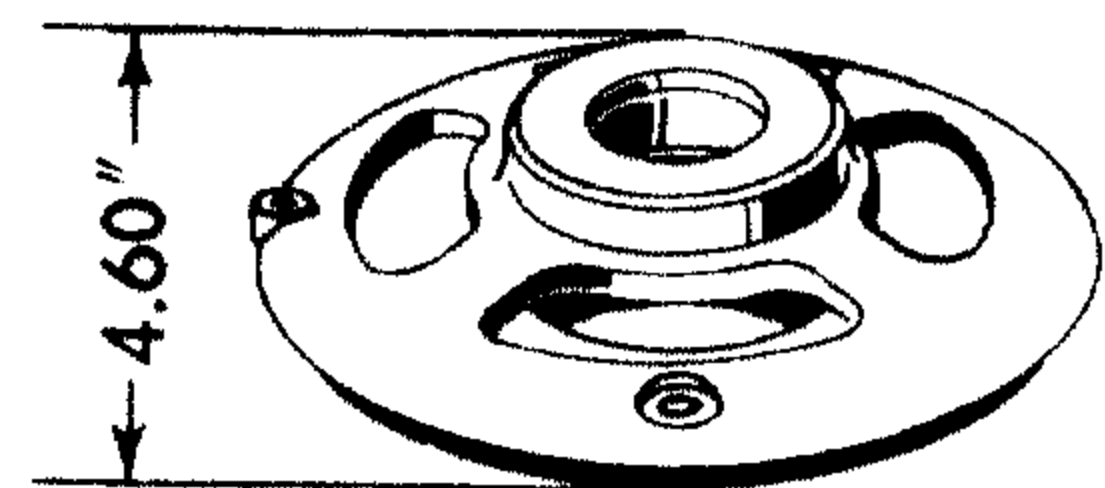
P-396



1GA-10139

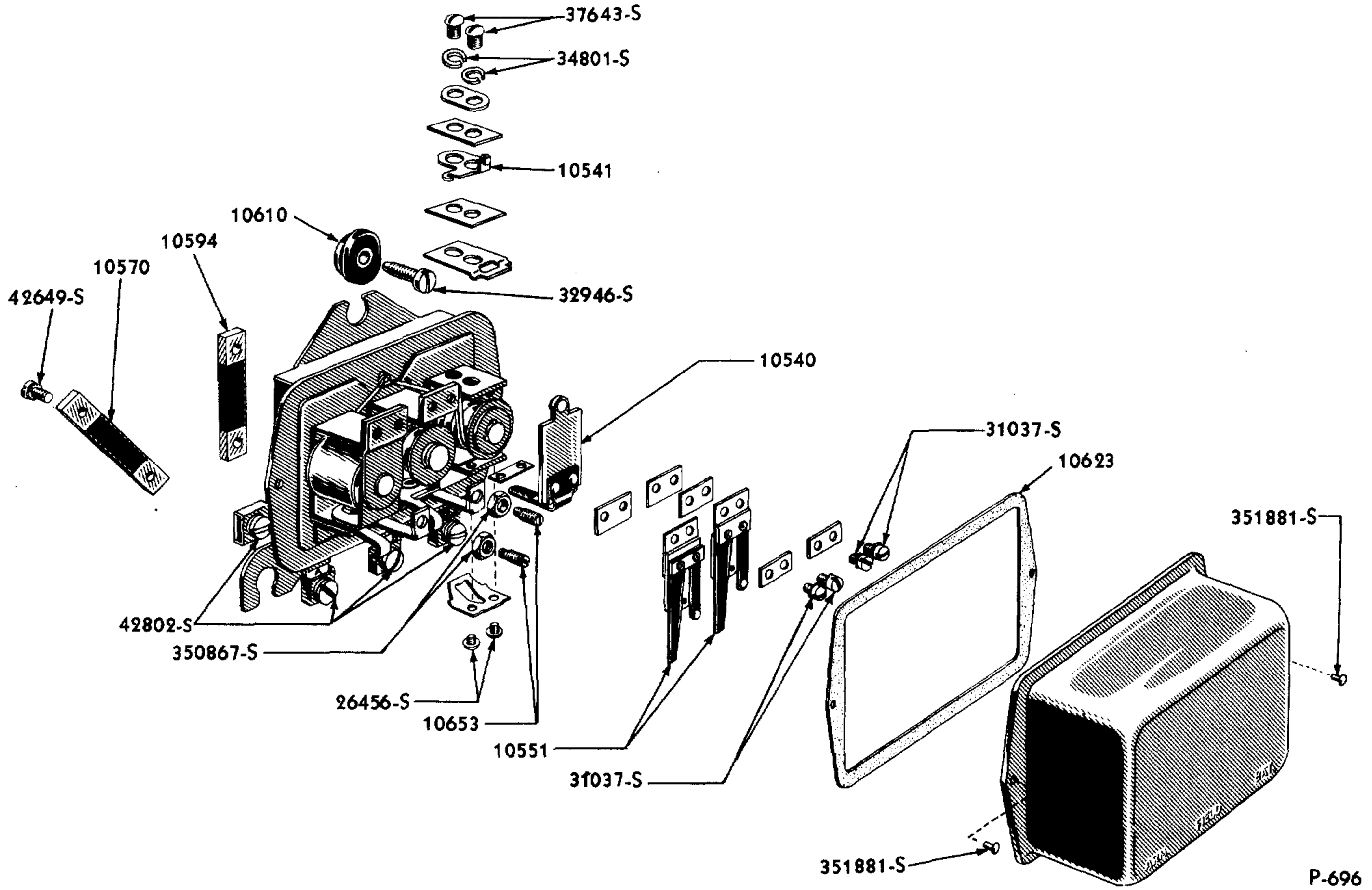


2GA-10139



7RA-10139-B

P-942



GENERATOR REGULATOR (51A-10505-A)

Basic numbers only shown on illustration. Order by Part Numbers shown in list of parts.

PART NUMBER	PART NAME	NO. REQ'D	MODEL	YEAR
Generator Regulator				
B 10505	Cutout assy (generator)-used with 3 brush type generators	1	Pass,Comm,Trucks	28-39
	31596-S7 Screw (cutout to generator)-No.10-32 x 3/8"	2	Pass,Comm,Trucks	28-39
	34903-S8 Lockwasher-No.10			
01A 10505-C	Regulator assy (generator)-3 unit type-30-33 amps-used with 6 volt-20-33 amp-2 brush type generators-replaced by 8A 10505	1	Pass	38-48
		1	Comm,Trucks	38-47
11AS 10505-E	Regulator assy (generator)-3 unit type-used with heavy duty 6 volt-50-55 amp generators	1	Pass	40-48
		1	Comm,Trucks	40-47
	91A-10610 Cushion assy (regulator to dash mounting)	2or4	Pass	38-48
		2or4	Comm,Trucks	38-47
	33206-S7 Screw (regulator to dash mounting)-No.14 x 7/8"	3or4	Pass	38-48
		3or4	Comm,Trucks	38-47
	42802-S8 Screw (regulator "B" terminal)-#10-32 x 3/8"	1	Pass	38-48
		1	Comm,Trucks	38-47



CHASSIS PARTS CATALOGUE

PART NUMBER	PART NAME	NO. REQ'D	MODEL	YEAR
	355073-S7 Screw (regulator "F" terminal)- No.8-32 x 5/16"	1	Pass	38-48
		1	Comm, Trucks	38-47
	355073-S7 Screw (regulator ground wire attaching)-No.8-32 x 5/16"	1	Pass	38-48
		1	Comm, Trucks	38-47
	355308-S7 Screw (regulator "A" terminal)- 1/4"-28 x 19/64"	1	Pass	38-48
		1	Comm, Trucks	38-47
19B 10505-A	Regulator assy (generator)-3 unit type-used with 12 volt-50-55 amp generators	1	Comm, Trucks	40-47
	32938-S7 Screw (regulator to dash mounting)-No.10-12 x 3/4"	4	Comm, Trucks	40-47
	355308-S7 Screw (regulator "A,B & L" terminals)-1/4"-28 x 19/64"	3	Comm, Trucks	40-47
	355147-S7 Screw (regulator "F" terminal)- No.10-32 x 19/64"	1	Comm, Trucks	40-47
	+355130-S7 Screw (regulator ground)-No.10- 24 x 3/8"	1	Comm, Trucks	40-47
51A 10505-A	Regulator assy (generator)-3 unit type-30-33 amp- used with 6 volt-20-33 amp-2 brush type generators replaced by 8A 10505-A	1	Pass	38-48
		1	Comm, Trucks	38-47
	91A-10610 Cushion assy (regulator to dash mounting)	3	Pass	38-48
		3	Comm, Trucks	38-47
	32946-S7 Screw (regulator to dash mounting)-No.14 x 7/8"	3	Pass	38-48
		3	Comm, Trucks	38-47
	351881-S8 Rivet (regulator cover to base) -1/8" x .16"	2	Pass	38-48
		2	Comm, Trucks	38-47
	42802-S8 Screw (regulator "A,B,F & G" terminals)-#10-32 x 3/8"	4	Pass	38-48
		4	Comm, Trucks	38-47
59AS 10505-A	Regulator assy (generator)-3 unit type-current limiter set at 40-42 amps-use with heavy duty 6 volt 50-55 amp generators	1	Pass	40-48
		1	Comm, Trucks	40-47
8A 10505-A	Regulator assy (generator)-3 unit type-30-34 amp- use with 6 volt 30 amp-2 brush type generator	1	Pass	38-48
		1	Comm, Trucks	38-47
	42802-S8 Screw & lockwasher assy (gen. reg. "A", "F", "B" term. & ground wire)-#10- 32 x 3/8"	3		
	33206-S7 Screw (reg. to dash mtg)- #14 x 7/8"	3		
	63527-S Rivet (regulator cover to base)-1/8" x 3/16"	2		
	91A 10610 Cushion assy (reg to dash mtg)	3	Pass	38-48
		3	Comm, Trucks	38-47
8BA 10505-A	Regulator assy (generator)-3 unit type-55-60 amps- used with heavy duty 6 volt-50-55 amp generators	1	Pass	40-48
		1	Comm, Trucks	40-47
	51T-10610 Cushion assy (regulator to dash mounting)	4	Pass	40-48
		4	Comm, Trucks	40-47
	355308-S7 Screw (regulator "A,B & L" terminals)-1/4"-28 x 19/64"	3	Pass	40-48
		3	Comm, Trucks	40-47
	355147-S7 Screw (regulator "F" terminal)	1	Pass	40-48
		1	Comm, Trucks	40-47

+ No Longer Supplied



CHASSIS PARTS CATALOGUE

GENERATOR REGULATOR CHART

PART NUMBER	PART NAME	GENERATOR REGULATOR							
		B-10505	01A-10505-C	11AS-10505-E	19B-10505-A	51A-10505-A	51A-10505-C	8BA-10505-A	8A-10505-A
		NUMBER REQUIRED							
19B 10514	Coil assy (cutout unit shunt)				1				
19B 10517	Coil assy (regulator unit shunt)				1				
19B 10522	Insulator (regulator unit contact post)				4				
19B 10522	Insulator (current limiter contact post)			2				2	
19B 10522	Insulator (voltage limiter contact post)			2				2	
	†42793-S8 Screw (contact post insulator) #6-32 x 5/8"			4				4	
19B 10523-A	Screw (armature adjusting)-No.10-50 x .68"				1				
19B 10523-B	Screw (armature adjusting)-No.10-52 x .62"				1				
19B 10523-C	Screw (current limiter armature adjusting)-No.10-32 x .62"							1	
19B 10523-C	Screw (voltage limiter armature adjusting)-lower-No.10-32 x .62"							1	
19B 10523-C	Screw (cutout magnet frame)-No.10-32 x .62"							1	
19B 10523-C	Screw (cutout unit armature adjusting)-No.10-32 x .62"			1	1				
19B 10523-C	Screw (regulator unit armature adjusting)-lower-No.10-32 x .62"			1	2				
19B 10523-D	Screw (current limiter armature adjusting)-upper-No.10-32 x .68"							1	
19B 10523-D	Screw (voltage limiter armature adjusting)-upper-No.10-32 x .68"							1	
19B 10523-D	Screw (regulator unit armature adjusting)-upper-No.10-32 x .68"			1	2				
	350867-S Nut-No.10-32			3	5			5	
19B 10524	Insulator (regulator unit contact post)			4	4				
19B 10524	Insulator (current limiter unit contact post)							2	
19B 10524	Insulator (voltage limiter frame)							2	
19B 10533	Plate & terminal assy				1				
19B 10535	Point (cutout unit main contact)			1	1			1	
81A 10540-B	Armature assy (cutout unit)		1			1			
	26456-S13 Screw (cutout unit armature to coil & yoke) #6-32 x 1/4"		2			2			
19B 10540-B	Armature assy (cutout unit)				1				
19B 10540-C	Armature assy (cutout unit)			1	1			1	
8A 10540	Armature assy (cutout unit)								1
	63527-S Rivet (cutout unit armature to coil)-1/8" x 3/16"								2
01A 10541-A	Point & post assy (cutout unit contact) -replaced by 01A 10541-B		1						
01A 10541-B	Point & post assy (cutout unit contact)		1			1			

† No Longer Supplied



CHASSIS PARTS CATALOGUE

GENERATOR REGULATOR CHART

PART NUMBER	PART NAME	GENERATOR REGULATOR							
		B-10505	01A-10505-C	11AS-10505-E	19B-10505-A	51A-10505-A	51A-10505-C	88A-10505-A	8A-10505-A
		NUMBER REQUIRED							
59A 10541	Point & post assy (cutout unit contact)-replaced by 01A 10541		1						
	37643-S7 Screw (cutout unit contact point & post to coil & yoke)- No.6-32 x 7/16"		2			2			
	34801-S7 Lockwasher-No.6								
8A 10541	Point & post assy (cutout unit contact)								1
	†63329-S12 Rivet (cutout unit contact point & post to frame)-3/16" x 3/8"								1
†19B 10545-B	Base assy (generator regulator)			1	1			1	
	†355130-S7 Screw (regulator base plate)-#10-24 x 3/8"				4				
B 10550	Connector (cutout to generator)	1							
01A 10551-A	Armature assy (current limiter)		1			1			
01A 10551-A	Armature assy (regulator unit)		1			1			
01A 10551-B	Armature assy (regulator unit) for 51A 10505-A regulators using bi-metal for temperature compensation		1			1			
	31037-S7 Screw (armature to coil & yoke)-#8-32 x 5/16"		4			4			
11AS 10551	Armature assy (voltage limiter)								1
19B 10551-B	Armature assy (regulator unit)			1	2				1
19B 10551-B	Armature assy (current control unit)			1					
51A 10551	Armature assy (regulator unit)-steel-for 51A 10505-A regulators using carpenter metal for temperature compensation					1			
8A 10551	Armature assy (voltage limiter)								1
	63527-S Rivet (armature to spring)-1/8" x 3/16"								2
	31036-S8 Screw (armature to post)-#6-32 x 5/16"			4					4
19B 10560-A	Cover (generator regulator)			1					1
B 10563	Insulator (battery & armature terminals)	2							
	35510-S7 Screw (battery & armature terminals)-#10-32 x 5/8"	2							
11AS 10565	Point & post assy (current limiter contact)								1
19B 10565-D	Point & post assy (voltage limiter contact)								2
19B 10565-D	Point & post assy (current control unit)			1					
19B 10565-D	Point & post assy (regulator unit contact)			1	1				
01A 10568-A	Plate (regulator unit armature to post reinforcement)		4			4			
01A 10568-B	Plate (regulator unit armature to post reinforcement)					1			
8A 10568-A	Plate (regulator unit armature to post reinforcement)-stamped letter "A"								2
8A 10568-B	Plate (regulator unit armature to post reinforcement)-stamped letter "B"								1
01A 10570	Resistor (regulator unit field)-21 ohms		1			1			
51A 10570	Resistor (regulator unit field)-21 ohms		1			1			
8A 10570	Resistor (regulator unit field)-21 ohms								1

† No Longer Supplied



CHASSIS PARTS CATALOGUE

GENERATOR REGULATOR CHART

PART NUMBER	PART NAME	GENERATOR REGULATOR							
		B-10505	01A-10505-C	11AS-10505-E	19B-10505-A	51A-10505-A	51A-10505-C	8BA-10505-A	8A-10505-A
		NUMBER REQUIRED							
8A 10584	Armature assy (current limiter)								1
	63527-S Rivet (armature to spring)-1/8" x 3/16"								2
8A 10576	Point (regulator unit fixed contact)-point surface .054 thick								1
01A 10594-B	Resistor (regulator unit absorbing)-14 ohms		1			1			
19B 10594	Resistor (field absorbing)			1	1			1	
51A 10594	Resistor (regulator unit absorbing)-14 ohms		1			1			
	42649-S8 Screw (regulator resistor)-#8-32 x 3/8"		4			4			
	†42393-S8 Screw (field absorbing resistor)-#12 x 1"			1	1			1	
	44707-S8 Washer-flat-No.6			1				1	
8A 10594	Resistor (regulator unit absorbing)-14 ohms								1
	†63337-S7 Rivet (reg. resistor terminal to base)-3/16" x 13/32"								3
	†63519-S7 Rivet (ground connection to base)-1/8" x 5/32"								2
19B 10609	Point & screw assy (cutout unit main contact)			1	3			1	
	34081-S7 Locknut (cutout unit main contact point & screw)-1/4" 28			1	3			1	
91A 10610	Cushion assy (regulator to dash mounting)		3			3			3
†51T 10610	Cushion assy (regulator to dash mounting)							4	
91A 10611-C	Wire assy (regulator to ground)		1						
19B 10616-A	Point & screw assy (cutout unit auxiliary contact)				1				
19B 10616-B	Point & screw assy (cutout unit auxiliary contact)			1	1			1	
	350867-S Nut-No.10-32			1	2			1	
19B 10617-A	Point & rivet assy (cutout unit auxiliary contact)				1				
19B 10617-B	Point & rivet assy (cutout unit auxiliary contact)			1	1			1	
19B 10621	Bushing (cutout unit resistor insulating)			1	1			1	
19B 10623	Gasket (regulator cover to base)			1	1			1	
51A 10623	Gasket (regulator cover to base)		1			1			
19B 10624	Bolt (regulator cover)				2				
19B 10625	Wire (resistor to field terminal connector)			1	1			1	
19B 10649	Wire (regulator cover sealing)			1	1			1	
01A 10653-A	Point (regulator unit fixed contact)		1			1			
01A 10653-B	Point (regulator unit fixed contact)		1			1			
†11AS 10653	Point (regulator unit fixed contact)							2	
	350867-S Nut-No.10-32		2			2			
19B 10653-B	Point (regulator contact)				4				
51A 10653-A	Point (regulator unit fixed contact)-point surface .027" thick		1			1			
51A 10653-B	Point (regulator unit fixed contact)-point surface .0075" thick		1			1			
8A 10653	Point (regulator unit fixed contact)-point surface .052" to shoulder								1

† No Longer Supplied



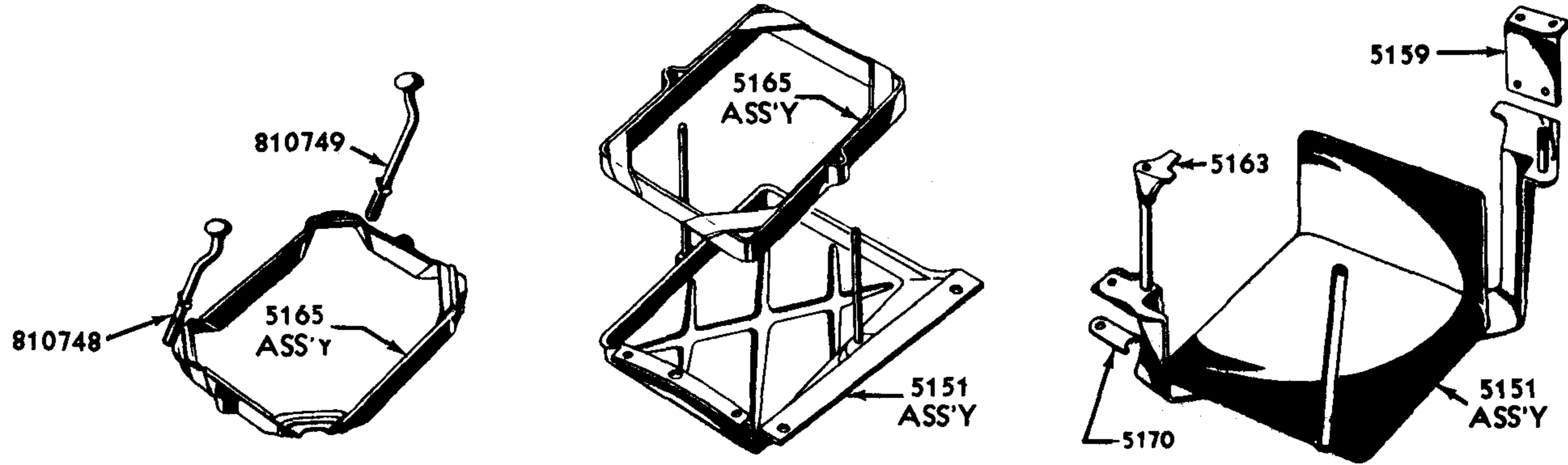
CHASSIS PARTS CATALOGUE

PART NUMBER	PART NAME	NO. REQ'D	MODEL	YEAR 19__
Battery				
B 10655-B	Battery-15 plate-100 amp. hours-Gold Oval-9 3/16" x 7 1/8" x 7 13/16"	1	Pass, Comm, Trucks	28-32
		1	Trucks	33-34
18 10655-A	Battery-13 plate-80 amp. hours-Red Oval-9 3/16" x 7 1/8" x 7 13/16"	1	Pass, Comm, Trucks	28-32
		1	Trucks	33-34
◇81A 10655-A	Battery-17 plate-100 amp. hours-Gold Oval-10 1/2" x 7 1/8" x 7 1/4"	1	Pass, Comm	33-39
		1	Trucks	35-39
		1	Pass	46-48
		1	Comm, Trucks	46-47
◇81A 10655-B	Battery-15 plate-90 amp. hours-Green Oval-10 1/2" x 7 1/8" x 7 1/4"	1	Pass, Comm	33-39
		1	Trucks	35-39
		1	Pass	46-48
		1	Comm, Trucks	46-47
◇01A 10655-A	Battery-17 plate-120 amp. hours-Gold Oval-10.56" x 8.25" x 7.28"	1	Pass	40-48
		1	Comm, Trucks	40-47
◇01A 10655-C	Battery-15 plate-100 amp. hours-Green Oval-10.56" x 8.25" x 7.28"	1	Pass	40-48
		1	Comm, Trucks	40-47
01A 10660-A	Case (battery)-for 01A-10655-A	1	Pass	40-48
		1	Comm, Trucks	40-47
81A 10664	Washer (battery filler plug)-use with 81A-10720	3	Pass, Comm	33-39
		3	Trucks	35-39
		1	Pass	46-48
		1	Comm, Trucks	46-47
01A 10664	Washer (battery filler plug)-use with 01A-10720	3	Pass	40-48
		3	Comm, Trucks	40-47
51A 10682-A	Arrestor assy (battery corrosion)	2	Pass	28-48
		2	Comm, Trucks	28-47
B 10720	Plug (battery filler)-use with B-10655-B, 18-10655-A	3	Pass, Comm, Trucks	28-36
78 10720-B	Plug (battery filler)	3	Pass, Comm, Trucks	37
81A 10720	Plug (battery filler)-use with 81A-10655-A or B	3	Pass, Comm	33-39
		1	Trucks	35-39
		1	Pass	46-48
		1	Comm, Trucks	46-47
01A 10720	Plug (battery filler)-use with 01A-10655-A or C or 81A 10655-A or B	3	Pass	40-48
		3	Comm, Trucks	40-47
†B 10721	Washer (battery filler plug)-use with B-10720	3	Pass, Comm, Trucks	28-36
†78 10722	Washer (battery filler plug)-use with 78-10720-B	3	Pass, Comm, Trucks	37

◇ When interchanging either high or low type batteries, order the proper 5175 battery clamp bolt.
 † No Longer Supplied



CHASSIS PARTS CATALOGUE



P-88

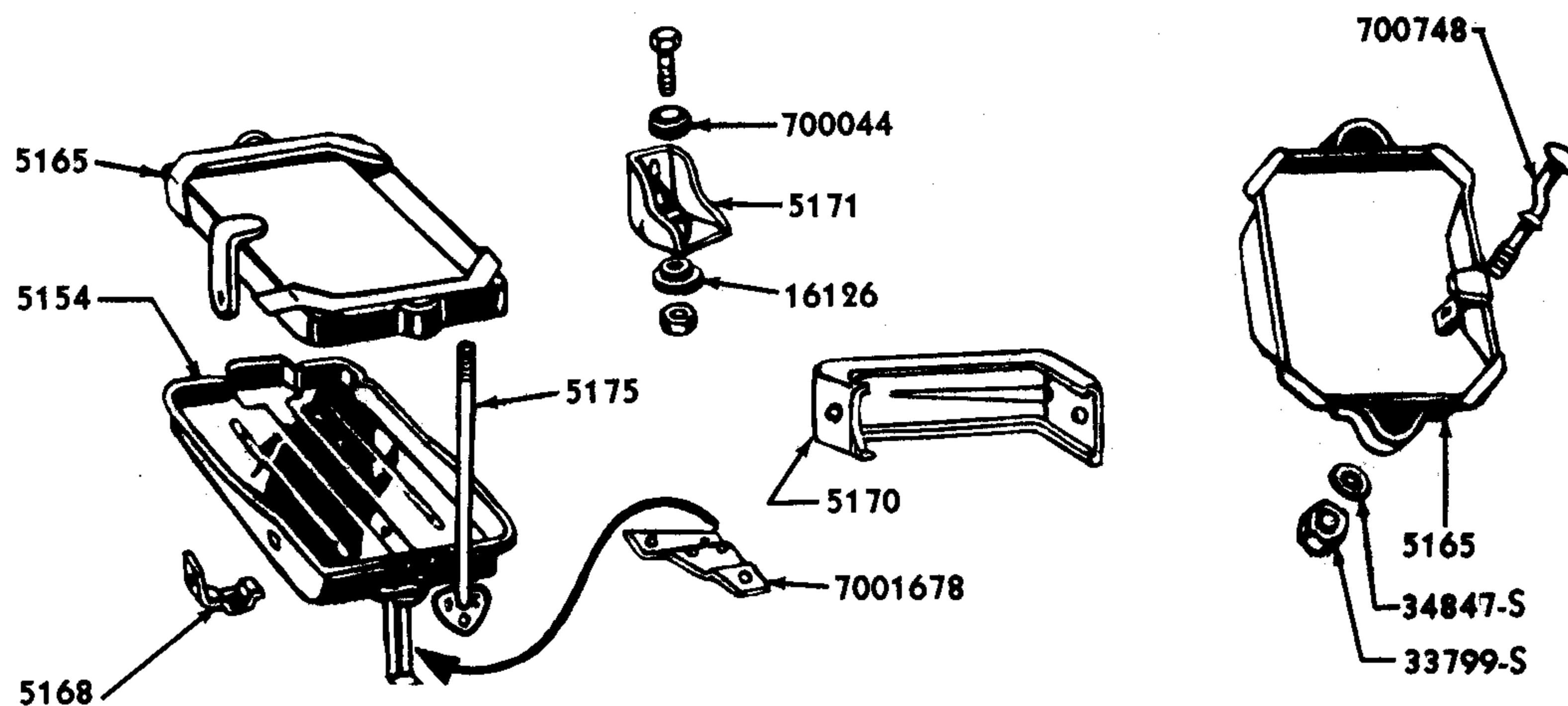
TRUCK BATTERY SUPPORTS, ETC.

Basic numbers only shown on illustration. Order by Part Numbers shown in list of parts.

PART NUMBER	PART NAME	NO. REQ'D	MODEL	YEAR
Battery Support				
A-5151	Carrier assy (battery)	1	Pass,Comm,Trucks	28-31
352725-S	Stud (battery carrier)- 7/16"-14 x 7/16"-20 x 3 1/2" long	1	Pass,Comm,Trucks	28-31
A-5154	Stud (battery carrier)-3 29/32"	1	Pass,Comm,Trucks	28-31
33850-S2	Nut (battery carrier)-5/8"-18	2	Pass,Comm,Trucks	28-31
24347-S8	Bolt (battery carrier to frame)-rear-5/16"-24 x 3/4"	2or4	Pass,Comm,Trucks	28-31
33798-S8	Nut-5/16"-24			
34846-S2	Lockwasher-5/16"			
BB-5151	Carrier assy (battery)	1	Pass,Comm Trucks	32 32-34
40-5151-A	Carrier assy (battery)	1	Pass,Comm	33-34
†51-5151	Carrier assy (battery)	1	Trucks	35-36
20357-S2	Bolt (battery carrier to frame)-5/16"-24 x 13/16"	2or4	Pass,Comm,Trucks	32-36
24427-S7	Bolt (battery carrier to frame)-5/16"-24 x 1 1/4"	1	Trucks	32-34
33798-S8	Nut-5/16"-24			
34846-S2	Lockwasher-5/16"			
68-5153	Carrier (battery)	1	Pass,Comm	35-36
†78-700740	Box assy (battery)	1	Pass	37-38
		1	Std. Pass	39
†77-810740	Box assy (battery)	1	Comm,Trucks	37-39
91A-5154	Carrier assy (battery)	1	DeLuxe Pass	39
A-5155	Bolt (battery carrier)-3/8"-24 x 3.53" long	1	Pass,Comm	28-31
40-5156	Nut (battery clamp adapter)-3/8"- 24-used when replacing 17 plate battery with 15 plate	2	Pass,Comm	33-34
†BB-5159	Bracket (battery support to floor)	1	BB-330, Pass Bus	32-34
A-5163-A	Clamp (battery hold down)-iron	2	Pass,Comm,Trucks	28

† No Longer Supplied

CHASSIS PARTS CATALOGUE



1939 DELUXE PASSENGER BATTERY SUPPORTS

1937-38 PASSENGER 1939 STD. PASSENGER

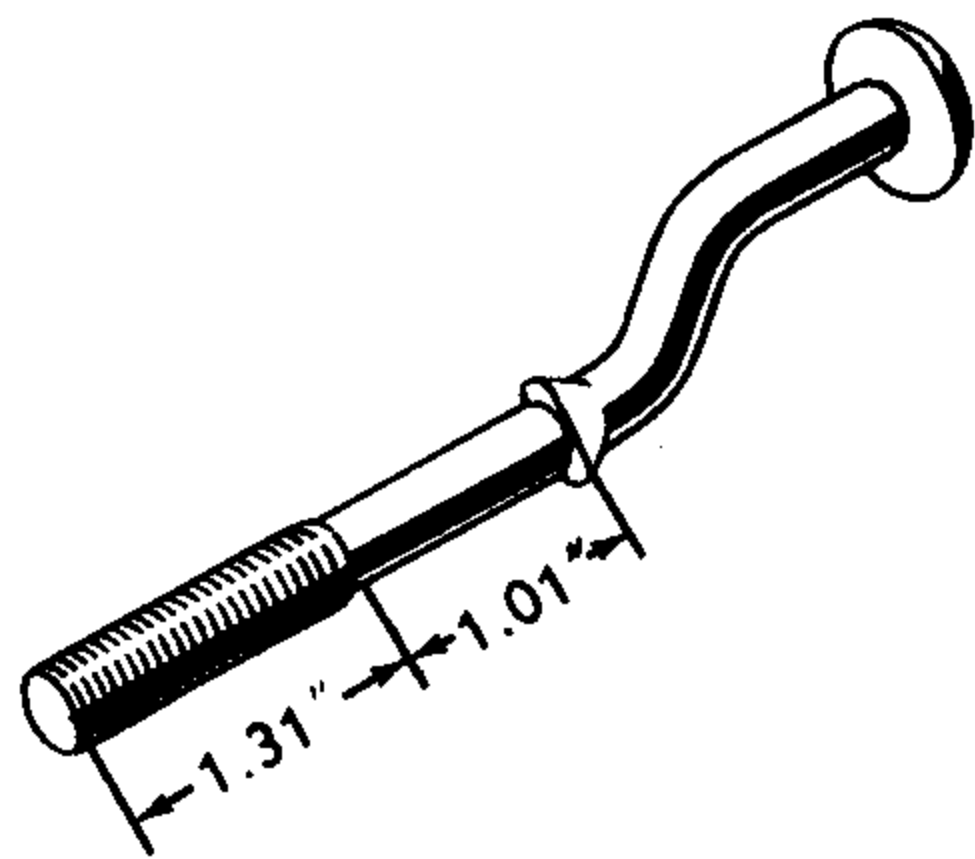
Basic numbers only shown on illustration. Order by Part Numbers shown in list of parts.

PART NUMBER	PART NAME	NO. REQ'D	MODEL	YEAR 19__
B-5163	Clamp (battery hold down)-pressed steel	2	Pass, Comm, Trucks	28-32
		2	Trucks	33-34
33800-S8	Nut (battery hold down)-3/8"-24	2	Pass, Comm, Trucks	28-34
51-5165	Clamp assy (battery hold down)	1	Trucks	35-36
91A-5165	Clamp assy (battery hold down)	1	Deluxe Pass	39
51A-5165-B	Clamp assy (battery hold down)	1	Pass	33-38
		1	Std. Pass	39
		1	Comm	33-39
		1	Trucks-including COE	37-39
78 700044	Washer (battery clamp bracket to dash bolt insulator)	1	Pass, Std	38-39
		1	Comm, Trucks	38-40
91A-5168-A	Bracket (battery carrier to fender apron)	1	Deluxe Pass	39
†BB-5170	Spacer (battery support to frame)	1	BB-330, Pass Bus	32-34
91A-5170	Bracket (battery carrier to frame)	1	Deluxe Pass	39
91A-5171	Clamp (dash to battery hold down)	1	Deluxe Pass	39
20468-S2	Bolt (battery dash clamp to hold down clamp)-3/8"-16 x 1 1/2"	1	Deluxe Pass	39
24521-S7	Bolt (battery dash clamp to dash)-5/16"-24 x 2"	1	Deluxe Pass	39
†91A-7001678	Bracket (battery tray to dash)	1	Pass	39
24325-S8	Bolt (battery carrier to supt.)-1/4"-28 x 5/8"	1	Deluxe Pass	39
24346-S7	Bolt (battery carrier to supt.)-frt.-5/16"-18 x 3/4"	2	Deluxe Pass	39
24387-S7	Bolt (carrier support to frame)-5/16"-24 x 1"	1	Deluxe Pass	39
20368-S7	Bolt (battery carrier support to frame)-3/8"-16 x 7/8"	1	Deluxe Pass	39
34846-S2	Lockwasher-5/16"			
91A-16126	Insulator (battery dash clamp)	1	Deluxe Pass	39
†351339-ALS	Insulator (battery dash clamp)	1	Deluxe Pass	39

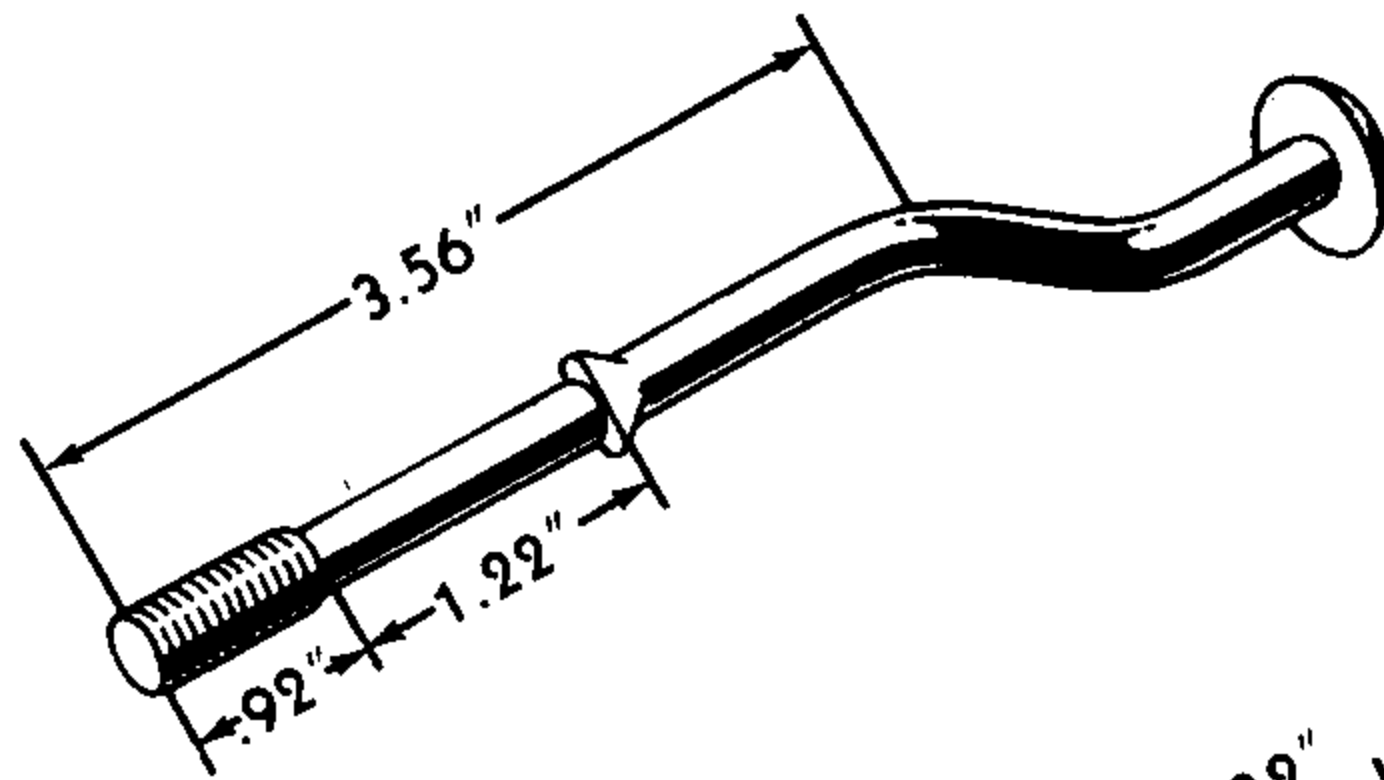
† No Longer Supplied

CHASSIS PARTS CATALOGUE

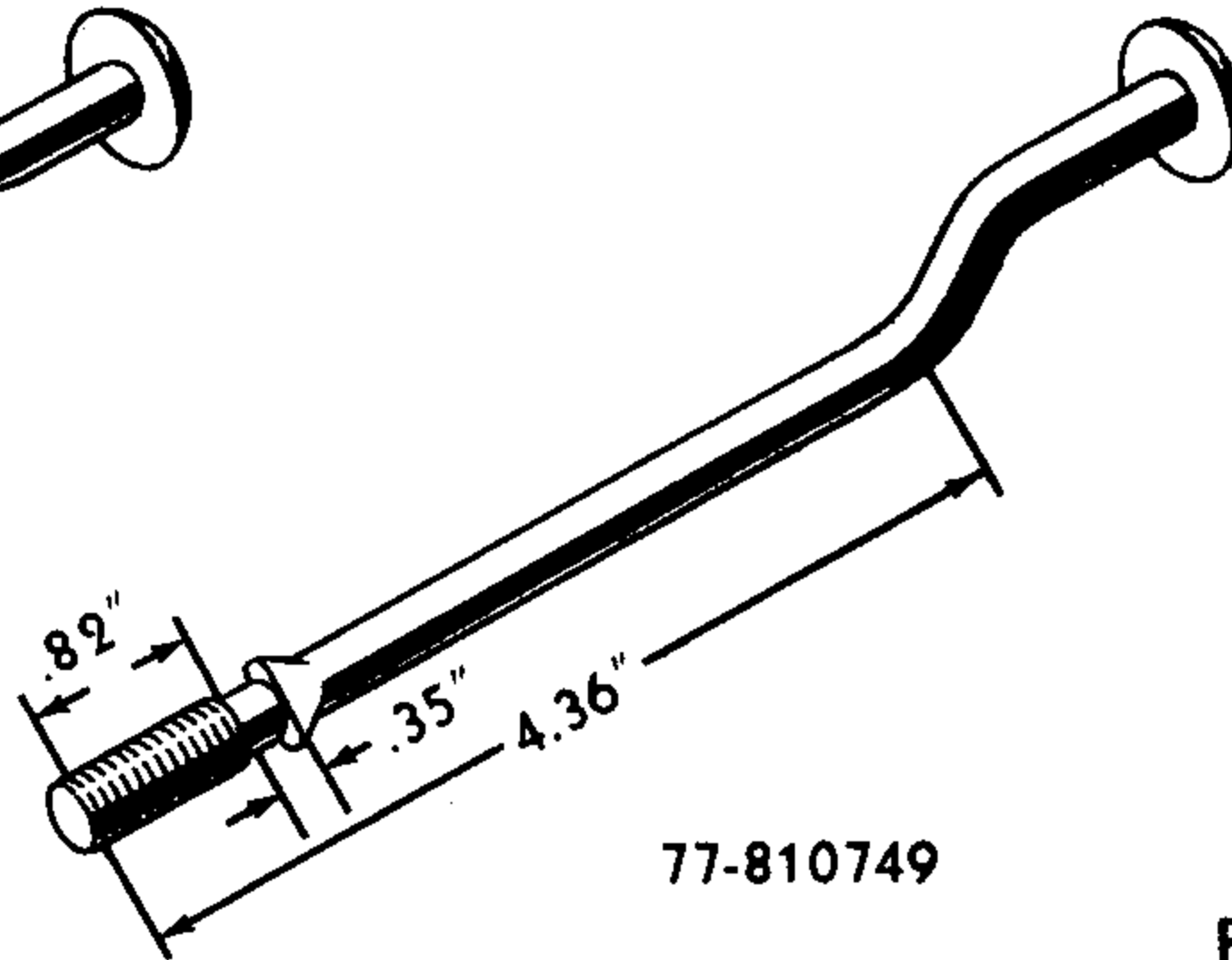
PART NUMBER	PART NAME	NO. REQ'D	MODEL	YEAR
B 9794-A	Cup (battery dash clamp to dash)	1	Pass, Comm, Trucks (except COE)	40-41
48-5172	Bolt (battery hold down clamp to carrier)-"Y" shaped	2	Pass, Comm	35-36
33800-S8	Nut-3/8"-24			
34707-S2	Washer-flat-3/8"			
91A-5175-A	Bolt (battery hold down clamp to carrier)-clover leaf shaped end-7.95" long	1	Deluxe Pass	39
91A-5175-B	Bolt (battery hold down clamp to carrier)-threaded end-8.84" long	1	Deluxe Pass	39
11A-5175-E	Bolt (battery hold down clamp to carrier)-use with either high or low type batteries	1	Pass	41-48
		1	Comm, Trucks	41-47



78-700748



77-810748



77-810749

P-149

78-700748	Bolt (battery hold down clamp to dash)	1	Pass	37-38
		1	Std. Pass	39
77-810748	Bolt (battery hold down clamp to dash)-R.H.	1	Comm	37-39
		1	Trucks (except COE)	37-39
77-810749	Bolt (battery hold down clamp to dash)-L.H.	1	Comm	37-39
		1	Trucks (except COE)	37-39
78-700247-A	Insulator (battery hold clamp to dash bolt)	1	Trucks (except COE)	37-40
		1	Pass	37-38
		1	Std. Pass	39
78-700045-A	Insulator (battery hold down clamp to dash bolt)	2	Pass	41-48
		2	Comm, Trucks	41-47
		2	Pass	37-38
33799-S7	Nut (battery hold down clamp to dash bolt)-3/8"-16	2	Std. Pass	39
		2	Comm, Trucks	37-39
		2	Pass	37-38
34847-S8	Lockwasher-3/8"			
33897-S7	Wing nut (battery hold down clamp bolt)-3/8"-16	2	Pass	41-48
		2	Comm, Trucks	41-47



CHASSIS PARTS CATALOGUE

PART NUMBER	PART NAME	NO. REQ'D	MODEL	YEAR 19__
	356385-S7 Washer (battery hold down clamp wing nut)-.42" x 1.31"	2	Pass	41-48
		2	Comm, Trucks	41-47
	+351383-S7 Washer (battery hold down clamp to dash bolt)-3/8"	2	Pass	37-40
		2	Comm, Trucks	37-40
	351370-S2 Washer (battery hold down clamp to dash bolt)-.33" x 1"	1	Pass	39
		1	Comm	39-40
		1	Trucks (except COE)	39-40
	+01A-5185-B Pad (battery hold down clamp)	1	Pass	40
		1	Comm, Trucks (except COE)	40-41

Battery Indicator, Ammeter, Temperature Gauge, Etc.

91A 10844-B	Indicator assy (battery charge)-use with 2 brush type generator	1	Pass	39
01A 10844-B	Indicator assy (battery charge)	1	Pass, Comm, Trucks	40
A 10850-A	Ammeter assy	1	Pass, Comm, Trucks	28-31
B 10850	Ammeter assy	1	Pass, Comm, Trucks	32
40 10850-A	Ammeter assy-has screw type terminals-use with 40-12281-A	1	Pass	33
40 10850-B	Ammeter assy-has snap type terminals-use with 40-12281-B	1	Pass	33-34
46 10850	Ammeter assy	1	Comm, Trucks	33-34
48 10850-A	Ammeter assy	1	Std. Pass, Comm, Trucks	35
68 10850	Ammeter assy	1	Deluxe Pass	35
		1	Pass, Comm, Trucks	36
91A 10850	Ammeter assy-use with 3 brush type generator	1	Pass, Comm, Trucks	37-39
		1	COE	40
	26457-S7 Screw (ammeter to temperature gauge)-No.8-32 x 1/4"	2	Pass, Comm, Trucks	35-36
	34079-S7 Nut (ammeter to instrument panel)-No.10-32	2	Pass, Comm, Trucks	32-37
	34803-S7 Lockwasher-No.10			
11A 10850-B	Ammeter assy replaced by 6A-10850	1	Pass	41
11C 10850-A	Ammeter assy	1	Comm, Trucks	41-47
		1	COE	41-47
21A 10850	Ammeter assy	1	Pass	42
51A 10850-A	Ammeter assy-replaced by 51A-10850-B	1	Deluxe Pass, Convertible & Station Wagon	46-47
51A 10850-B	Ammeter assy	1	Super Deluxe Pass (except Convertibles & Station Wagon)	46-47
6A 10850	Ammeter assy	1	Pass	47-48
01A 10856	Gasket (instrument cluster bezel)	2	Std. Pass	40
		2	Comm, Trucks	40-48
	34079-S7 Nut (instrument cluster to mounting collar stud)-#10-32	2	Convertible Coupe	39
+21A 10856	Gasket (instrument cluster case)	1	Pass	42-48
B 10857	Washer (ammeter terminal post insulating)	2	Pass, Comm	32-33
91A 10861-A	Gasket (speedometer & instrument cluster)	2	Pass	39
+01A 10861	Gasket (instrument cluster)	1	Deluxe Pass	40
11A 10865	Glass (instrument cluster cover)	1	Pass	41
01A 10876-A	Bezel (instrument cluster glass)	1	Std. Pass	40
		1	Comm, Trucks	40-41

+ No Longer Supplied

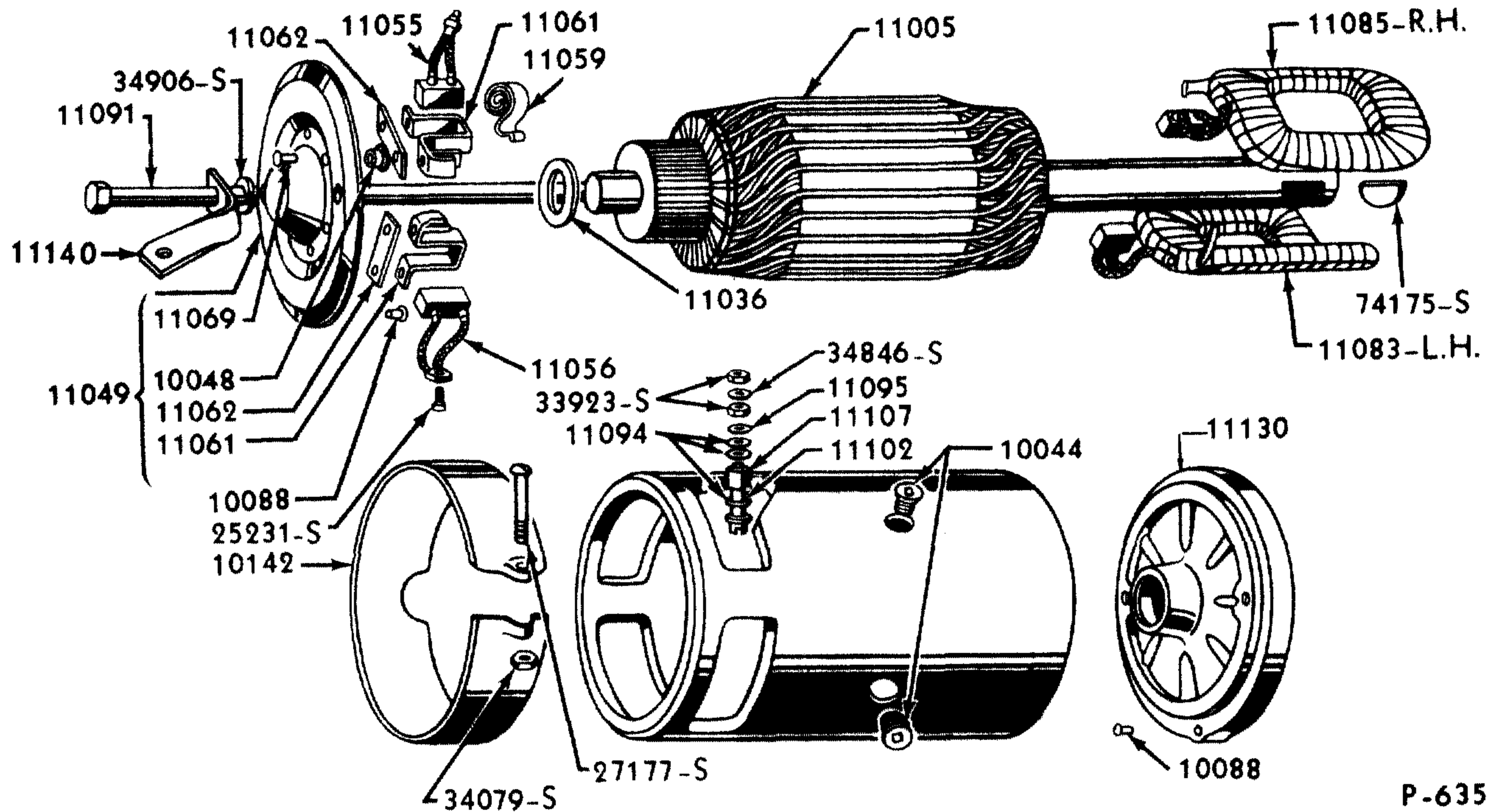


CHASSIS PARTS CATALOGUE

PART NUMBER	PART NAME	NO. REQ'D	MODEL	YEAR
01A 10876-B	Bezel (instrument cluster glass)	1	Deluxe Pass	40
21C 10876-A	Bezel (instrument cluster glass)	1	Pass,Comm,Trucks	42-47
01A 10880-A	Glass (instrument cluster)	1	Std. Pass	40
		1	Comm,Trucks	40-47
01A 10880-B	Glass (instrument cluster)	1	Deluxe Pass	40
+48 10882	Clamp (temperature gauge cable to spark plug wire conduit)	2	Pass,Comm,Trucks	35-39
+48 10882	Clamp (ignition coil wire to spark plug wire conduit)	1	Pass,Comm,Trucks	39-44
91A 10882	Clamp (temperature gauge cable to spark plug wire conduit)	1 or 3	Pass (8 cyl)	39-48
		1 or 3	Comm,Trucks (8 cyl)	39-47
91A 10882	Clamp (ignition coil low tension wire to spark plug wire conduit)	1	Pass (8 cyl)	45-48
		1	Comm,Trucks (8 cyl)	45-47
91A 10882	Clamp (generator to voltage regulator wiring to spark plug wire conduit)	2 or 3	Pass (8 cyl)	45-48
		2 or 3	Comm,Trucks (8 cyl)	45-47
91A 10882	Clamp (wiring cable to spark plug wire conduit)	2	Comm,Trucks (4 cyl)	42
68 10883	Gauge assy (temperature)	1	Pass,Comm,Trucks	35-36
91A 10883-B	Gauge assy (temperature)	1	Pass,Comm,Trucks (except COE)	37-39
91W 10883	Gauge assy (temperature)	1	COE	37-40
11A 10883-B	Gauge assy (temperature)	1	Pass	41
11C 10883-A	Gauge assy (temperature)	1	Pass,Comm,Trucks (except COE)	40
		1	Comm,Trucks (including COE)	41-47
21A 10883	Gauge assy (temperature)	1	Pass	42
51A 10883-A	Gauge assy (temperature)	1	Deluxe Pass, Convertibles & Station Wagon	46-47
51A 10883-B	Gauge assy (temperature)	1	Super Deluxe Pass	46-47
6A 10883	Gauge assy (temperature)	1	Pass	47-48
99A 10884	Bulb (temperature gauge)-goes in RH cylinder head	1	Pass	39-48
		1	Comm,Trucks	39-47
		1	Comm,Trucks (4 cyl)	41-42
	26457-S7 Screw (temperature gauge bulb terminal)-No.8-32 x 1/4"			
	34802-S7 Lockwasher-No.8			
	51-9297 Clip (temperature gauge cable & wiring to cylinder block)	1	COE	38-47
	+20330-S7 Bolt (temperature gauge cable clip)-7/16"-14 x 5/8"			
	34808-S8 Lockwasher-7/16"			
68 10887	Case assy (temperature gauge & ammeter)-brown	1	Pass,Comm,Trucks	35-36
11A 10887	Dial (instrument cluster main)-glass	1	Pass	41
+21A 10887	Dial (instrument cluster main)-glass	1	Pass	42
51A 10887-A	Dial (instrument cluster main)-glass	1	Deluxe Pass	46-47
51A 10887-B	Dial (instrument cluster main)-glass	1	Super Deluxe Pass	46-47
6A 10887	Dial (instrument cluster main)-glass	1	Pass	47-48
01A 10889	Adapter (temperature gauge bulb)-for use in cylinder heads where hole for temperature gauge bulb is too large	1	Pass,Comm,Trucks	32-39
01A 10990	Bulb (engine excessive heat indicator)-goes in L.H. cylinder head	1	Pass	42-48
		1	Comm,Trucks	42-47

+ No Longer Supplied

CHASSIS PARTS CATALOGUE



P-635

1947-48 6 CYL. "H" SERIES STARTER MOTOR (7HA-11002)

Basic numbers only shown on illustration. Order by Part Numbers shown in list of parts.

STARTER REPLACEMENT CHART

PART NUMBER	REPLACED BY	USED WITH STARTER DRIVE	ENGINE		PASS. YEAR	COMM. (LT. TRUCK) YEAR	122" W.B. 1/4 TON		122" W.B. 1 TON		TRUCK YEAR
			CYL.	H.P.			YEAR	YEAR	YEAR	YEAR	
A 11002-C	46F 11002	B 11350	4		28-31	28-31					28-31
A 11002-D	46F 11002 & B 11350	A 11350-D	4		28	28					28
Δ B 11002-B	46 11002	B 11350	4		32	32					32
† BF 11002	46F 11002	B 11350	4		32	32					32
18 11002	7RA 11002	B 11350	8	90	32-42	32-42	39-42	38-42	32-42		32-42
			8	100	39-48	39-47	39-47	39-47	39-47		39-47
# 18 11002	7HA 11002	B 11350	6	90	41-47	41-47	41-47	41-47	41-47		41-47
Δ 46 11002		B 11350	4		32	32	32	32	32		32
46 11002		B 11350	4		33-34	33-34	33-34	33-34	33-34		33-34
46F 11002		B 11350	4		28-31	28-31	28-31	28-31	28-31		28-31
† 46F 11002		B 11350	4		32	32	32	32	32		32
52 11002	8N 11002	52 11350-C	8	60	37-40	37-40	37-40	37-40	37-40		37-40
			4	40		41-42	41-42	41-42	41-42		41-42
9N 11002	8N 11002	52 11350-C	8	60	37-40	37-40	37-40	37-40	37-40		37-40
			4	40		41-42	41-42	41-42	41-42		41-42
7HA 11002		B 11350	6	90	41-48	41-47	41-47	41-47	41-47		41-47
7RA 11002		B 11350	8	90	32-42	32-42	39-42	38-42	32-42		32-42
			8	100	39-48	39-47	39-47	39-47	39-47		39-47
8N 11002		52 11350-C	8	60	37-40	37-40	37-40	37-40	37-40		37-40
			4	40		41-42	41-42	41-42	41-42		41-42

Δ Use with Foot Control Starter Switch † Use with Hand Control Starter Switch # 6 Cylinder "G" Series